

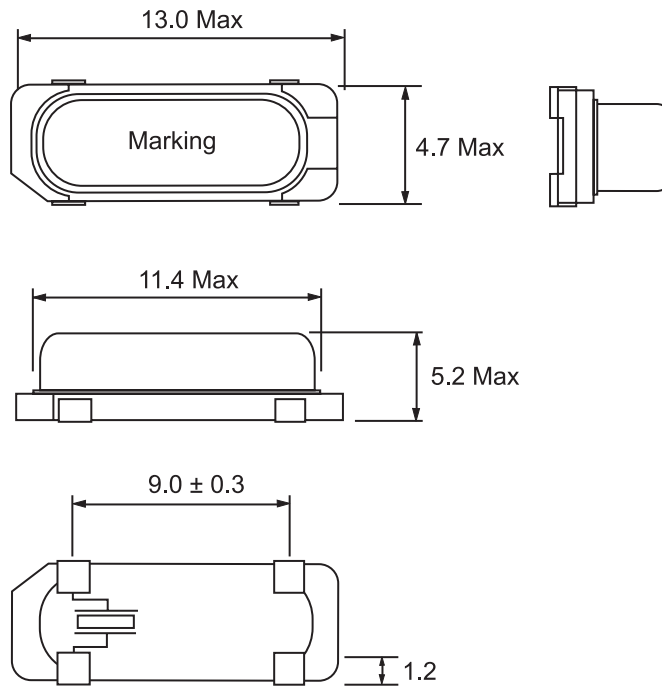
**RoHS Compliant
Pb - Lead Free**

Ltr	Revisions	Date	Appr

Electrical Specifications:

Nominal Frequency	7.3728	MHz
Mode of Oscillation	Fundamental	-
Frequency Tolerance at 25°C	±30	PPM Max
Frequency Stability over Temperature Range	±50	
Operating Temperature Range (Extended)	-40 to +85	° C
Storage Temperature Range	-55 to +125	
Aging per Year	±3	PPM Max
Load Capacitance	18	pF
Shunt Capacitance (Maximum)	7	
Equivalent Series Resistance (ESR)	80	Ohms Max
Drive Level	100 Typ - 500 Max	uW
Solder Reflow Characteristics	+260 for 10 s Max	° C

Mechanical Specifications:



11-3 Chien-Kuo Rd T.E.P.Z. 4027 Taiwan, ROC

All dimensions are millimeters.

CAD: TR

Review: SL

Appr: AL

Page: 1/1 | Date: Jan. 16, 2008

Specification Title:

**Quartz Crystal Unit
HC-49/U-S-SMD - 4 Pad
Product Specification
Farnell Order Code: 1538788**

Part Number: **CA4-7.3728-18-3050-X**

X-ON Electronics

Largest Supplier of Electrical and Electronic Components

Click to view similar products for [Aker manufacturer](#):

Other Similar products are found below :

[C7S-10.000-12-3030-X](#) [C-32.000-18-3050-X](#) [CXA-016000-3F7E40](#) [CXAN-032000-3F12F20](#) [C7S-14.7456-12-3030-X](#) [CXA-026000-3F7F20](#)
[CA4-8.000-18-3050-X](#) [CXA-012000-3F4D40](#) [C-6.000-18-3050-X](#) [C3E-20.000-12-1010-X](#) [D31N-032768-3D1C430](#) [SMB-050000-7BL4A6](#)
[49SN-027120-FX20X10](#) [CXAN-016000-3F09D41](#) [49S-011059-FX4X15](#) [C-3.579545-18-3050-X](#) [CXA-016384-3D4X20](#) [SMB-125000-](#)
[7CL4T6](#) [CA-7.3728-18-3050-X](#) [C-8.000-18-3050-X](#) [SMA-027000-3BL4TD](#) [CXAN-040000-3F15D41](#) [SMBN-033333-7BL4T00](#) [CXA-](#)
[026000-3FCF20](#) [SMA-040000-5CL4T5](#) [CA-11.0592-18-3050-X](#) [CXA-039000-7F1X40](#) [C-4.194304-18-3050-X](#) [C3E-14.31818-12-3030-X](#)
[S33305-50.000-X](#) [C7S-8.000-12-50100-X1](#) [CA-14.7456-18-3050-X](#) [CAA-16.000-18-3050-X](#) [C-24.576-18-3050-X](#) [D31-032768-BD41](#)
[C3E-18.432-12-3030-X](#) [C7S-12.000-12-3030-X](#) [C7S-6.000-12-50100-X1](#) [S53305-50.000-X](#) [C5S-12.000-12-3030-X](#) [CAA-4.194304-18-3050-](#)
[X](#) [C7S-25.000-12-3030-X](#) [C3E-32.000-12-3030-X](#) [C7S-12.000-12-50100-X1](#) [CA-8.000-18-3050-X](#) [C5S-10.000-12-3030-X](#) [C3E-](#)
[16.000-12-1010-X](#) [S73305-12.000-X-15](#) [C3E-16.000-12-50100-X1](#) [S73305-14.7456-X-15](#)