


DP6-OC

industrial relays

DURAKOOL



- Relays **DP6-OC** - with transistor output, rated load up to 0.5 A / 70 V DC
- 35 mm DIN rail mount, EN 50022, wires connection with screw terminals - 0.2...4 mm²
- Adapted for the co-operation with interconnection strip type **ZG20**
- Equipped in LED green
- Recognitions, certificates, directives: 



Transistor - output

Max. switching voltage	DC	70 V
Min. switching voltage	DC	5 V
Rated load	DC1	0.5 A / 70 V DC
Min. switching current		1 mA

Input control circuit

Rated voltage	DC	5...32 V	
	AC/DC	24-230 V AC: 50/60 Hz	
Turn-off voltage		AC: $\geq 0.2 U_n$ DC: $\geq 0.1 U_n$	
Rated power consumption		0.3 W	5...32 V DC at 24 V
		0.3 VA / 0.3 W	24 V AC/DC
		1.0 VA / 1.0 W	230 V AC/DC

Insulation

Insulation category	C250
Insulation rated voltage	600 V AC
Rated insulation voltage I/O	3 000 V AC
Insulation pollution degree	2

General data

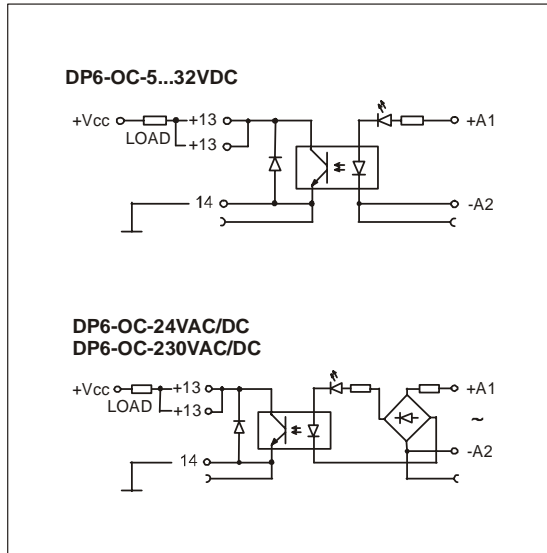
Max. switching frequency	10 kHz	5...32 V DC (for load up to 24 V DC - 15 KHz)
	----	24 V AC/DC
	----	230 V AC/DC
Dimensions (L x W x H)	80 x 6.2 x 93.8 mm	
Weight	40 g	
Ambient temperature		
• storage	-40...+70 °C	
• operating	-40...+55 °C	
Protection category	IP 20	
Environmental protection	RTI IEC 61810-7	

Input data

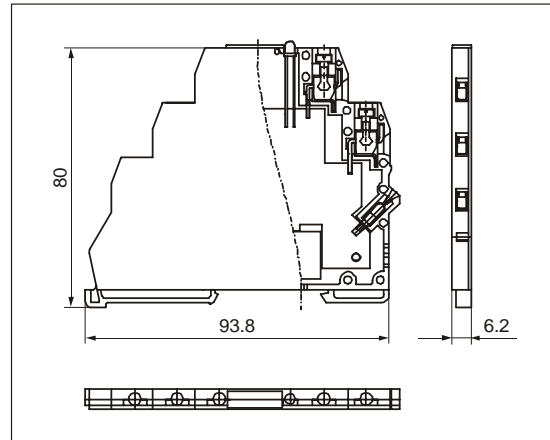
Table 1

Relay code	Nominal input voltage U_n	Power of input - control circuit
DP6-OC-5...32VDC	5...32 V DC	0.3 W at 24 V
DP6-OC-24VAC/DC	24 V AC/DC	0.3 VA / 0.3 W
DP6-OC-230VAC/DC	230 V AC/DC	1.0 VA / 1.0 W

Connection diagrams



Dimensions



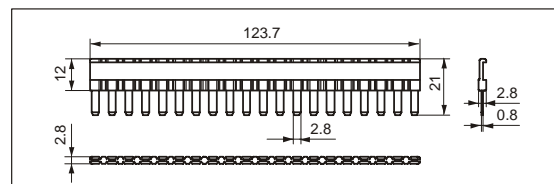
Mounting

Relays **DP6-OC** are designed for 35 mm DIN rail mount, EN 50022.

DP6-OC are adapted for the co-operation with interconnection strip type **DG20**. Interconnection strip **DG20** allows to common bridging outputs or inputs. Colours of strips: **DG20-1** red, **DG20-2** black, **DG20-3** blue.

Ordering codes

Ordering codes **DP6-OC** are specified in Table 1, "Relay code" column.



X-ON Electronics

Largest Supplier of Electrical and Electronic Components

Click to view similar products for [Durakool](#) manufacturer:

Other Similar products are found below :

[DG85B-8011-35-1012](#) [SDA3Z-30K-A](#) [4859](#) [DFC3-301](#) [DM84-2012-35-1012](#) [SDA1Z-40K-D](#) [DM85-2011-35-1012](#) [SRA3Z-60K-D](#) [DHS01](#)
[SDA1Z-15K-D](#) [SDA1Z-80K-A](#) [SDA1Z-80K-D](#) [SRA1Z-25K-D](#) [SDA3Z-30K-D](#) [DM84-2012-35-5012](#) [SRA3Z-80K-D](#) [DHS02](#) [SRA1Z-10K-](#)
[D](#) [SRA3Z-60K-A](#) [SRA1Z-40K-D](#) [A1/2-001](#) [SRA1Z-60K-A](#) [SRA1Z-40K-A](#) [SIM212-12VDC](#) [SRA1Z-10K-A](#) [A1B-003](#) [DG85B-](#)
[8021-96-1012-M1](#) [DM84-2012-35-1024](#) [DG85C-8021-75-1012](#) [SRA1Z-25K-A](#) [DG20-8011-35-1012](#) [SRA1Z-60K-D](#) [SRA1Z-100K-A](#) [5002](#)
[SRA2Z-40K-D](#) [SRA1Z-40L-A](#) [SRD-SGR2-M03](#) [DG85CM-5021-76-1012](#) [SRA1Z-15L-D](#) [DG85B-8011-96-1012-M1](#) [SIM112](#) [16VDC](#)
[SRA1Z-80K-A](#) [SRA1Z-25L-A](#) [DTP1](#) [SRA1Z-100K-D](#) [SRA1Z-15L-A](#) [SRA1Z-100L-D](#) [SRA1Z-25L-D](#) [SRA1Z-40L-D](#) [SRA1Z-60L-A](#)