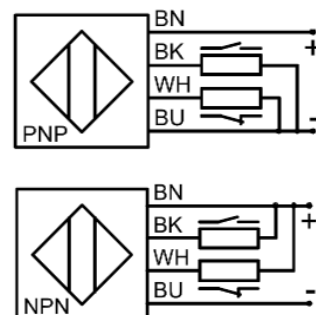
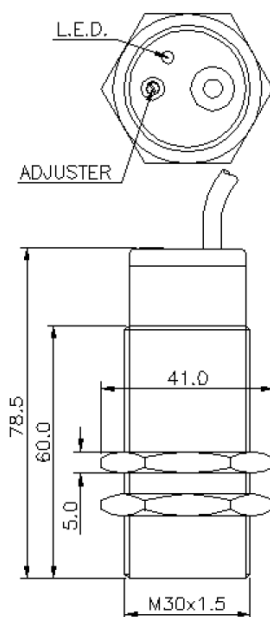


Data sheet

proxistor® Capacitive sensors DC

- 4-wire M30 threaded
- 2m PVC lead
- N/O & N/C complimentary
- ESD protected

PNP (Complimentary)	CPU-020V-DSN	Current type	DC
NPN (Complimentary)	CNU-020V-DSN	Wiring	4-wire
Mounting	unshielded	Rated operational voltage	7 to 30 DC V
Rated operating distance Sn	20 mm	Rated operational current	350 mA
Repeatability	≤ 10 %	Utilisation category	DC 13
Function indication	yes	Impulse voltage withstand	1kV 1.2 / 50µs V
Ambient temperature range	-25 °C to +70 °C	Inrush current	1.5 A
Pollution degree	3	Frequency of operating cycles	10Hz
Time delay before availability	≤ 220 ms	Minimum operational current	≤ 0.01 mA
Housing size	M30 mm	No-load supply current	≤ 8 / 5 mA
Housing material	PBT	Off-state current	≤ 100µA
Degree of protection	IP 67	Voltage drop	≤ 1 V
Connection	cable	Short circuit protection	yes (pulsed)
Cable type	2m 4w PVC cable	Reverse polarity protection	yes



This catalogue gives no information on product availability. The information is only for product description and is not legally binding. Any technical item is subject to change.

X-ON Electronics

Largest Supplier of Electrical and Electronic Components

Click to view similar products for [Proxistor](#) manufacturer:

Other Similar products are found below :

[Proxistor](#)