

# DTS-16/2,2/2,0-CH

## INFORMATIONS:

Core: Toroid Ø16 / Ø9 / H5,5 µi 6000 Ferrite Material

Wire: Ø0,5 Grade 2 Class F

Rated Current Per Winding: 2A referred to 250V - 50Hz and +60°C ambient temperature

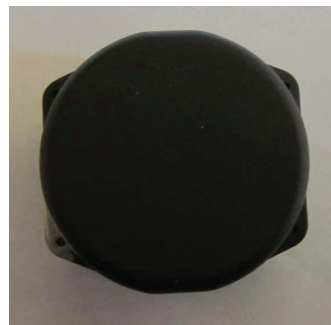
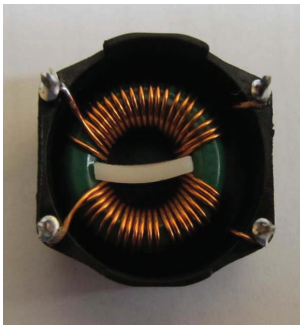
Rated Inductance Per Winding Value : 2.2mH +50 -30% at 10kHz ; 0.1mA

DC Resistance Per Winding (Typical) : 36mΩ

Test Voltage Between Windings: 1500VAC - 50Hz

Climatic Category : DIN GKC (-40 to +125°C; humidity cat. C)

## IMAGES:

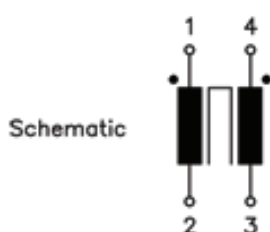
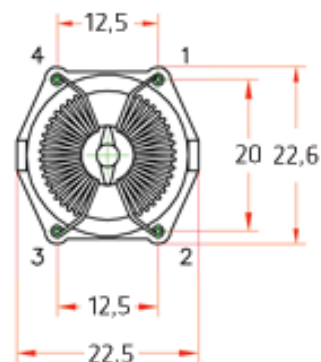
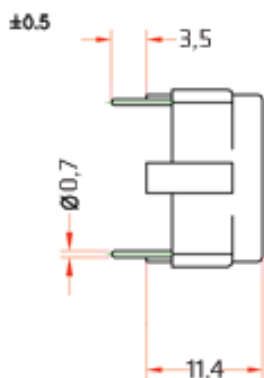


## ORDERING CODE:

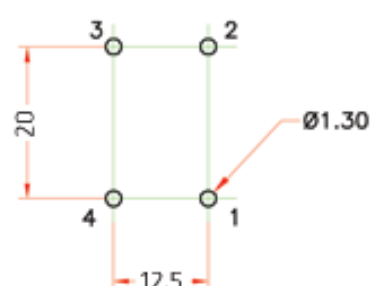
DTS - 16 / 2,2 / 2,0-CH

mounting: V - vertical, HX, HY, HZ - horizontal, BV - base vertical, CH - Case Horizontal  
 rated current in Amps  
 inductance in mH@ $I_{DC} = 0A$   
 core outer diameter  
 product symbol

## DIMENSIONS:



Viewed On Component Side



## X-ON Electronics

Largest Supplier of Electrical and Electronic Components

*Click to view similar products for [Fixed Inductors](#) category:*

*Click to view products by [Feryster](#) manufacturer:*

Other Similar products are found below :

[MLZ1608M6R8WTD25](#) [MLZ1608N6R8LT000](#) [MLZ1608N3R3LTD25](#) [MLZ1608N3R3LT000](#) [MLZ1608N150LT000](#)

[MLZ1608M150WTD25](#) [MLZ1608M3R3WTD25](#) [MLZ1608M3R3WT000](#) [MLZ1608M150WT000](#) [MLZ1608A1R5WT000](#)

[MLZ1608N1R5LT000](#) [B82432C1333K000](#) [PCMB053T-1R0MS](#) [PCMB053T-1R5MS](#) [PCMB104T-1R5MS](#) [CR32NP-100KC](#) [CR32NP-](#)

[151KC](#) [CR32NP-180KC](#) [CR32NP-181KC](#) [CR32NP-1R5MC](#) [CR32NP-390KC](#) [CR32NP-3R9MC](#) [CR32NP-680KC](#) [CR32NP-820KC](#)

[CR32NP-8R2MC](#) [CR43NP-390KC](#) [CR43NP-560KC](#) [CR43NP-680KC](#) [CR54NP-181KC](#) [CR54NP-470LC](#) [CR54NP-820KC](#) [CR54NP-8R5MC](#)

[MGDQ4-00004-P](#) [MGDU1-00016-P](#) [MHL1ECTTP18NJ](#) [MHL1JCTTD12NJ](#) [PE-51506NL](#) [PE-53601NL](#) [PE-53630NL](#) [PE-53824SNLT](#) [PE-](#)

[62892NL](#) [PE-92100NL](#) [PG0434.801NLT](#) [PG0936.113NLT](#) [PM06-2N7](#) [PM06-39NJ](#) [HC2LP-R47-R](#) [HC2-R47-R](#) [HC3-2R2-R](#) [HC8-1R2-R](#)