



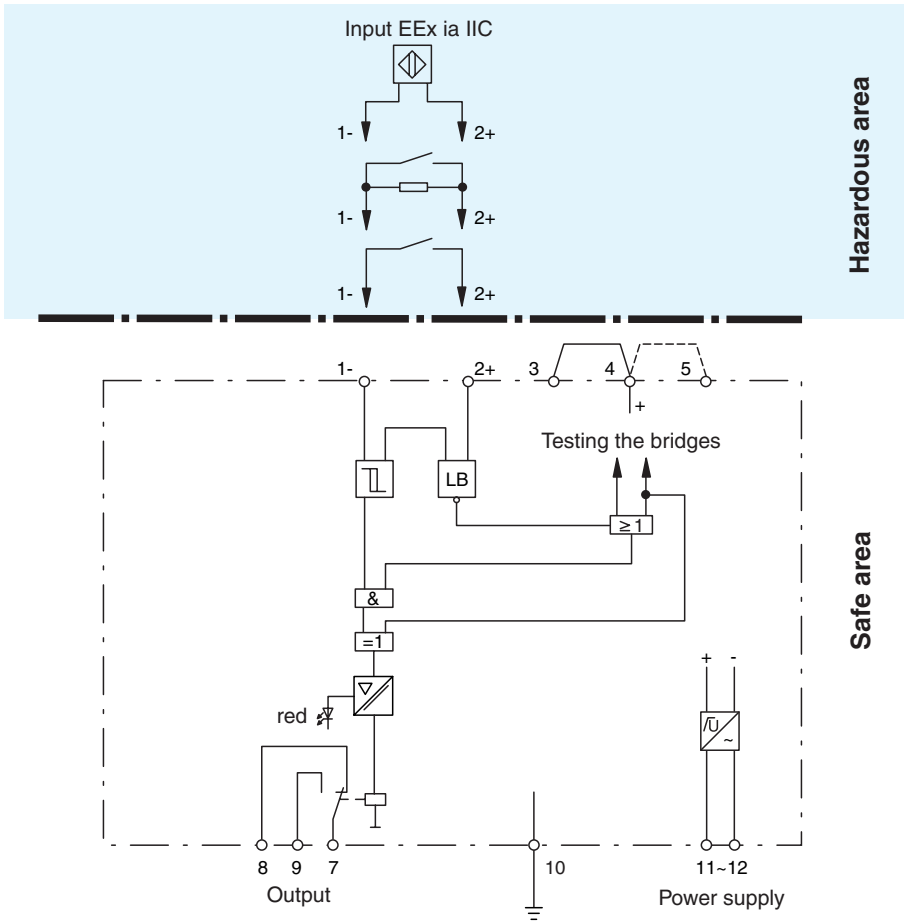
- 1-channel
- Control circuit EEx ia IIC
- 115 V AC supply voltage
- Reversible mode of operation
- Lead breakage (LB) monitoring
- 1 relay output with 1 changeover contact

WE 77/Ex-1 115V

Function

The transformer isolated barrier transfers digital signals into hazardous areas. Sensors per EN 60947-5-6 (NAMUR) or mechanical contacts may be used as transmitters. The control circuit is monitored for lead breakage (LB).

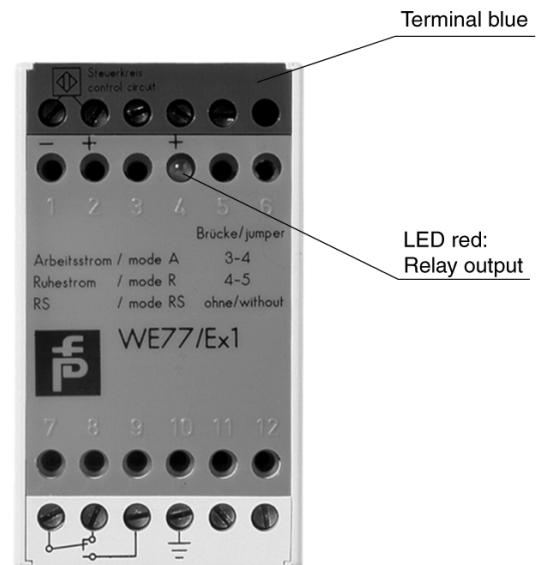
Connection




Composition

Front View

Housing type W1
(see system description)




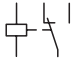

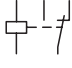

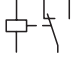

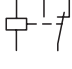
Release date 2016-06-16 14:16 Date of issue 2016-06-16 129199_eng.xml

Supply	
Connection	terminals 11, 12
Rated voltage U_n	103.5 ... 126 V AC , 45 ... 65 Hz
Power dissipation	1.6 W
Power consumption	approx. 2.3 VA
Input	
Connection	terminals 1-, 2+
Rated values	acc. to EN 60947-5-6 (NAMUR), see system description for electrical data
Open circuit voltage/short-circuit current	approx. 8 V DC / approx. 8 mA
Switching point/switching hysteresis	1.2 ... 2.1 mA / approx. 0.2 mA
Pulse/Pause ratio	≥ 0.5 ms / ≥ 0.5 ms
Line fault detection	breakage $I \leq 0.1$ mA
Output	
Connection	terminals 7, 8, 9
Output	signal ; relay
Contact loading	253 V AC/2 A/500 VA/cos ϕ min. 0,7; 125 V AC/4 A/500 VA cos ϕ min. 0,7; 40 V DC/2 A/80 W ohmic load
Energized/De-energized delay	approx. 10 ms / approx. 20 ms
Mechanical life	10^7 switching cycles
Transfer characteristics	
Switching frequency	< 10 Hz
Electrical isolation	
Output/power supply	basic insulation according to IEC 61140, rated insulation voltage 300 V_{eff}
Output/Output	functional insulation acc. to EN 50178, rated insulation voltage 300 V_{eff}
Directive conformity	
Electromagnetic compatibility	
Directive 2014/30/EU	EN 61326-1:2013 (industrial locations)
Low voltage	
Directive 2014/35/EU	EN 61010-1:2010
Conformity	
Degree of protection	IEC 60529
Ambient conditions	
Ambient temperature	-25 ... 60 °C (-13 ... 140 °F)
Mechanical specifications	
Degree of protection	IP20
Mass	approx. 390 g
Dimensions	40 x 104 x 110 mm (1.6 x 4.1 x 4.3 inch)
Data for application in connection with Ex-areas	
EC-Type Examination Certificate	PTB 02 ATEX 2065
Group, category, type of protection	 II (1)GD [EEEx ia] IIC [circuit(s) in zone 0/1/2]
Voltage U_o	13.4 V DC
Current I_o	31 mA
Power P_o	145 mW (trapezoid characteristic curve)
Supply	
Maximum safe voltage U_m	126.5 V AC (Attention! The rated voltage can be lower.)
Output	
Maximum safe voltage U_m	253 V AC (Attention! The rated voltage can be lower.)
Electrical isolation	
Input/Output	safe galvanic isolation acc. to EN 50020, voltage peak value 375 V
Input/power supply	safe galvanic isolation acc. to EN 50020, voltage peak value 375 V
Directive conformity	
Directive 2014/34/EU	EN 60079-0:2012+A11:2013 , EN 60079-11:2012
General information	
Supplementary information	EC-Type Examination Certificate, Statement of Conformity, Declaration of Conformity, Attestation of Conformity and instructions have to be observed where applicable. For information see www.pepperl-fuchs.com .



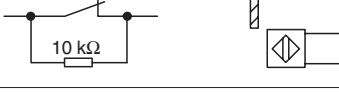
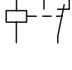
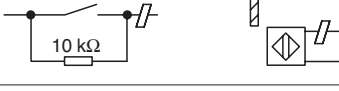
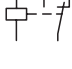

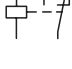
Release date 2016-06-16 14:16 Date of issue 2016-06-16 129199_eng.xml

Mode of Operation

Mode of operation without lead breakage detection

Jumpers	Input	Output
Jumpers between terminals 4 and 5		 Relay energized
	0-Signal	
Jumpers between terminals 4 and 5		 Relay de-energized
	1-Signal	
Jumpers between terminals 3 and 4		 Relay energized
	1-Signal	
Jumpers between terminals 3 and 4		 Relay de-energized
	0-Signal	

Mode of operation with lead breakage detection

Jumpers	Input	Output
Without jumpers		 Relay energized
	0-Signal	
Without jumpers		 Relay de-energized
	1-Signal	
Without jumpers		 Relay de-energized
	0-Signal	
Without jumpers		 Relay de-energized
	1-Signal	

Release date 2016-06-16 14:16 Date of issue 2016-06-16 129199_eng.xml

X-ON Electronics

Largest Supplier of Electrical and Electronic Components

Click to view similar products for [Pepperl & Fuchs](#) manufacturer:

Other Similar products are found below :

[RL31-54/73C/136](#) [3RG7122-0AA00](#) [NBB-12GM40-E1](#) [3RG4013-3KB00](#) [3RG4038-3KB00](#) [3RG7134-3AA00](#) [LD31/LV31/25/73C/76A/136](#)
[NBB4-12GM50-A2-V1](#) [RL31-8-1200-RT/73C/136](#) [CBB8-18GS75-E2](#) [45018](#) [UC2000-30GM-E6R2-V15](#) [6GR6221-3AB00](#) [REF-MH50](#)
[3RG4148-3CD00](#) [INX360D-F99-I2E2-V15](#) [MPS11HD](#) [UB2000-F42-U-V15](#) [50FY416](#) [NBN4-12GM50-E0](#) [UC2000-30GM-IUR2-V15](#)
[41FR2](#) [3RG6233-3JS00](#) [NBN8-12GM50-E2-V1](#) [UC-30GM-R2](#) [M100/MV100-RT/35/76A/95/103](#) [3RG4013-0KB00](#) [UB400-F77-E2-V31](#)
[3RG4023-3AG33](#) [MD17/73](#) [NBB5-18GM50-E2](#) [NBN4-12GM50-E2](#) [UB800-18GM40-U-V1](#) [UB800-18GM40-I-V1](#) [ML100-55/95/103](#)
[KCD2-R](#) [NBB15-30GM50-E2-V1](#) [UB2000-F42-E5-V15](#) [REF-C110-2](#) [ML100-8-1000-RT/95/103](#) [3RG4200-1AB00](#) [NBB2-V3-E2](#)
[3RG7120-3AA00](#) [OB-150-F6-E5](#) [REF-H50](#) [UB800-18GM40-E5-V1](#) [MV17/73/136](#) [NBB4-12GM50-E2-V1](#) [3RG6343-3AB00](#) [NJ2-PD-US-](#)
[2.062-V93](#)