


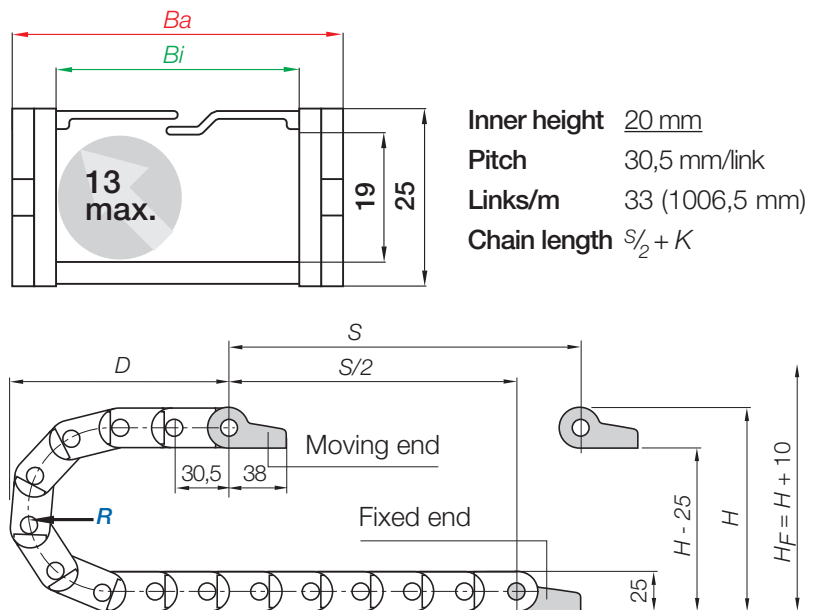
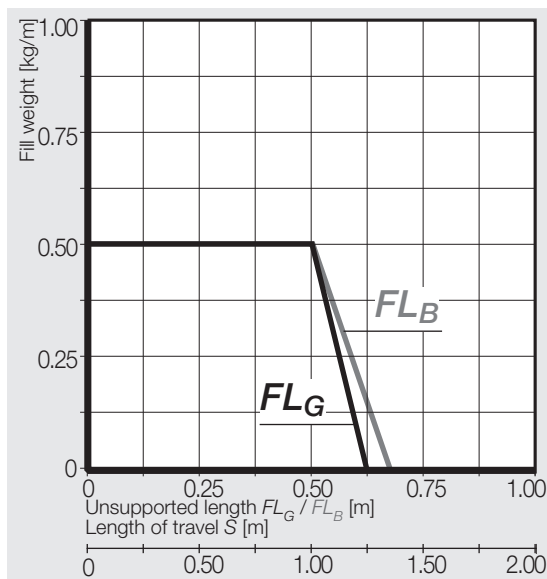
Series E14 | Split crossbar along the outer radius
Series Z14 | Split crossbar along the inner radius

|  Split crossbar along outer radius | Split crossbar along inner radius | <i>Bi</i> [mm] | <i>Ba</i> [mm] | <i>R</i> Bending radii [mm] | Weight [kg/m] |
|---|-----------------------------------|-------------------|-------------------|-----------------------------------|------------------|
| E14. 1 .R.0 | Z14. 1 .R.0 | 15 | 27 | 028 038 048 075 100 125 | ≈ 0,31 |
| E14. 2 .R.0 | Z14. 2 .R.0 | 25 | 37 | 028 038 048 075 100 125 | ≈ 0,32 |
| E14. 3 .R.0 | Z14. 3 .R.0 | 38 | 50 | 028 038 048 075 100 125 | ≈ 0,40 |
| E14. 4 .R.0 | Z14. 4 .R.0 | 50 | 62 | 028 038 048 075 100 125 | ≈ 0,44 |

Supplement Part No. with required radius (*R*). Example: **E14.1.028.0**

Ba: pin dimension approx. 0,3 - 0,5 mm wider.

Dimensions

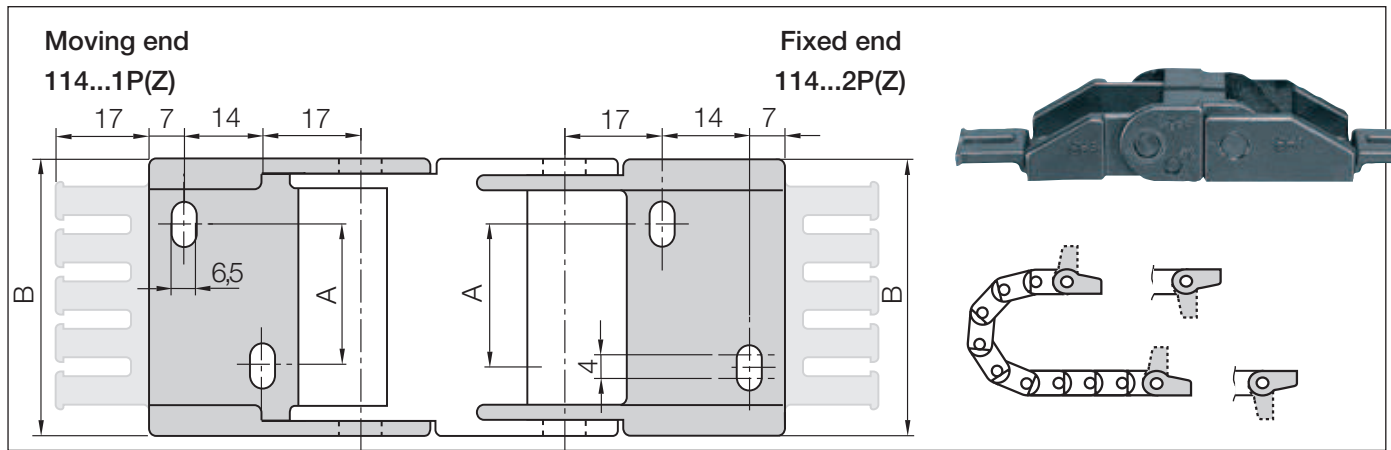


Inner height 20 mm
Pitch 30,5 mm/link
Links/m 33 (1006,5 mm)
Chain length $\frac{S}{2} + K$

| | | | | | | |
|----------|-----|-----|-----|-----|-----|-----|
| <i>R</i> | 028 | 038 | 048 | 075 | 100 | 125 |
| <i>H</i> | 81 | 101 | 121 | 175 | 225 | 275 |
| <i>D</i> | 86 | 96 | 106 | 133 | 158 | 183 |
| <i>K</i> | 150 | 185 | 215 | 300 | 380 | 455 |

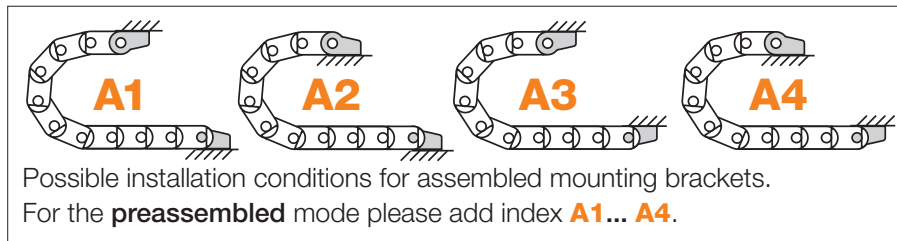
The required clearance height: $H_F = H + 10$ mm (with 0,2 kg/m fill weight)

Mounting brackets, polymer one-piece | locking | More features ► www.igus.eu/E14



| Width Index | Standard | Part No. full set with tiewrap plates | Part No. full set without tiewrap plates | Dim. A [mm] | Dim. B [mm] | Number of teeth |
|-------------|----------|---------------------------------------|--|-------------|-------------|-----------------|
| 1. | ► | 114.1.12PZ | 114.1.12P | – | 26,3 | 2 |
| 2. | ► | 114.2.12PZ | 114.2.12P | 10 | 36,3 | 3 |
| 3. | ► | 114.3.12PZ | 114.3.12P | 23 | 49,3 | 4 |
| 4. | ► | 114.4.12PZ | 114.4.12P | 35 | 61,3 | 5 |

Material mounting bracket - igumid G, temperature: -40° up to +120° C, VDE 0304 IIC UL94-HB



Part No. structure

114.2. 12 PZ A1 A...must be indicated on preassembled configurations
 With strain relief tiewrap plates
Full set
 Mounting bracket for selected width index

X-ON Electronics

Largest Supplier of Electrical and Electronic Components

Click to view similar products for [Cable Mounting & Accessories](#) category:

Click to view products by [Iigus](#) manufacturer:

Other Similar products are found below :

[HP-4N](#) [582603-1](#) [009333-000](#) [727844N003](#) [809090N001](#) [8109](#) [843188-000](#) [843459N001](#) [843460N003](#) [8666](#) [967279N002](#) [GPQC1/0](#) [DB-11](#) [1300830208](#) [1300840039](#) [1300900026](#) [1300990052](#) [1301740005](#) [1301800121](#) [1301800416](#) [1300830184](#) [1300990149](#) [1301580036](#) [1301720103](#) [1301720135](#) [1301720152](#) [1301720157](#) [1301740009](#) [1301770011](#) [1301850553](#) [1301860939](#) [1302000074](#) [1302264431](#) [1337706-2](#) [APA18-AK](#) [MTX6UTPSRC-C](#) [1-787307-1](#) [185491N001](#) [HP-6N](#) [C-202-C](#) [202C221-13-0](#) [OMTM-S10-C0](#) [205339-4](#) [CA7308-000](#) [8S23-75FR-CS8184](#) [2684](#) [9648](#) [3089](#) [988382-000](#) [A0270164](#)