




Product information E 2 LED PNP

Industrial Connecting Solutions:Archive - Industrial Connectors:Circular Connectors E-series M12 / M12 push-pull (Archive):Accessories E-series M12:E 2 LED PNP

<http://www.e-catalog.beldensolutions.com/link/57078-24228-62529-24256-24287-37475/en/conf/uistate>

Name	E 2 LED PNP
	
	LED insert (ca. 10 mA), suitable for contact assignment, in accordance with IEC 61076-2-101 (Ed. 1)/ IEC 60947-5-2
Delivery informations	
Availability	no longer available
Product description	
Description	LED insert (ca. 10 mA), suitable for contact assignment, in accordance with IEC 61076-2-101 (Ed. 1)/ IEC 60947-5-2
Type	E 2 LED PNP
Order No.	933 405-001
Description of Wiring	
Circuit	PNP/normally open
LED color	LED green = power, LED yellow = switch state,
Technical data	
Rated voltage	DC 10 V to 30 V
Type of termination	male
Environmental conditions	
Temperature range	-25 °C to +90 °C
Packing unit	
Packaging unit	100 pieces
Scope of delivery and accessories	
Accessories to order separately	accessory for ELKA 4012 PG7 transparent/topas, order no. 933 210-199; ELWIKA 4012 PG7 transparent/ topas, order no. 933 173-199



HIRSCHMANN

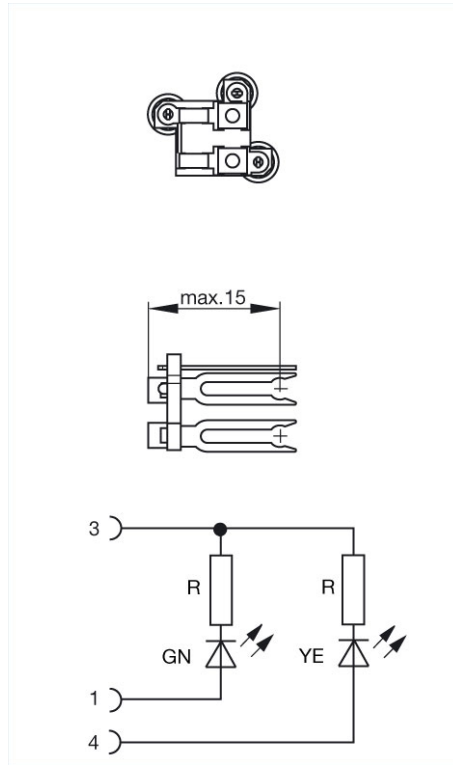
A BELDEN BRAND

Industrial Connecting Solutions:Archive - Industrial Connectors:Circular Connectors E-series M12 / M12 push-pull (Archive):Accessories E-series M12:E 2 LED PNP

<http://www.e-catalog.beldensolutions.com/link/57078-24228-62529-24256-24287-37475/en/conf/ui/state>

Picture

Drawing



Belden Deutschland GmbH
Im Gewerbepark 2
58579 Schalksmühle
Germany
Phone: +49 7127/14-1806
E-Mail: icos-sales@belden.com

The information published in the websites has been compiled as carefully as possible. It is subject to alteration without notice in technical as well as in price-related/commercial respect. The complete information and data were available on user documentation. Mandatory information can only be obtained by a concrete query.

X-ON Electronics

Largest Supplier of Electrical and Electronic Components

Click to view similar products for [Sensor Fixings & Accessories](#) category:

Click to view products by [Hirschmann](#) manufacturer:

Other Similar products are found below :

[EC18-WELL](#) [FMD411](#) [SA9Z-F11](#) [E4R-R12A-CS3M010](#) [E4R-R12A-CS3M020](#) [BS-1T CHITAN](#) [ICAB-1](#) [SA9Z-S07PN02](#) [ECT18-WELL](#)
[57142-000](#) [79450811](#) [734209100](#) [ASI M12 VS](#) [440148](#) [430233](#) [440101](#) [440102](#) [440121](#) [440122](#) [440131](#) [440132](#) [440135](#) [440147](#)
[XSZB108](#) [Y92E-BC12](#) [Y92E-BC18](#) [10901](#) [0909](#) [UAC 101](#) [810-12AC/DC](#) [843-12AC/DC](#) [844-12AC/DC](#) [771000-6011](#) [771000-6202](#) [812-](#)
[12AC/DC](#) [834-12AC/DC](#) [909G](#) [910G](#) [913G](#) [92.031.9058.1](#) [92.032.9058.1](#) [925G](#) [771000-6010](#) [GN 473-B12-MT](#) [GN 474-B12-B12-MT](#)
[GN 474-B16-B16-MT](#) [GN 479-B12-30](#) [XSZB118](#) [XSZB112](#) [XSZB130](#) [611-12DC](#) [08 2424 010 000](#) [733877001](#) [ELST-M PG9](#)