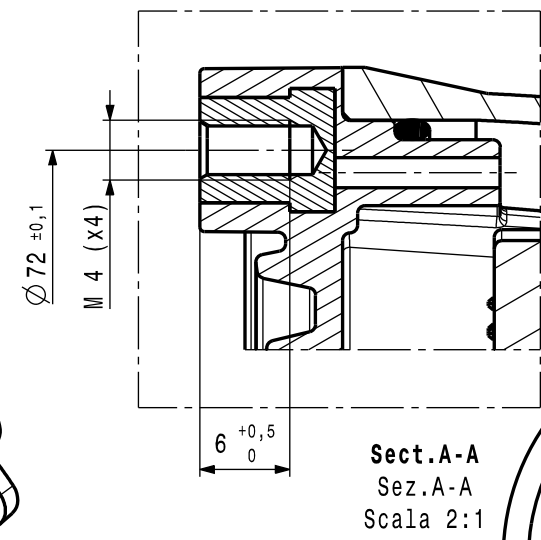
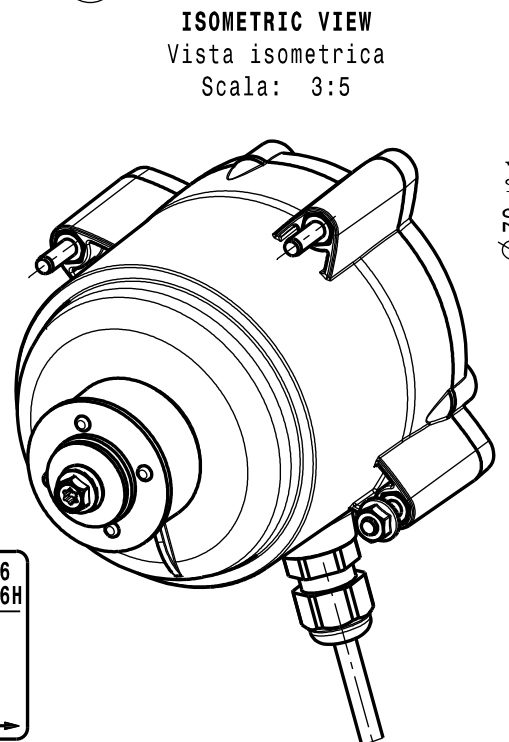
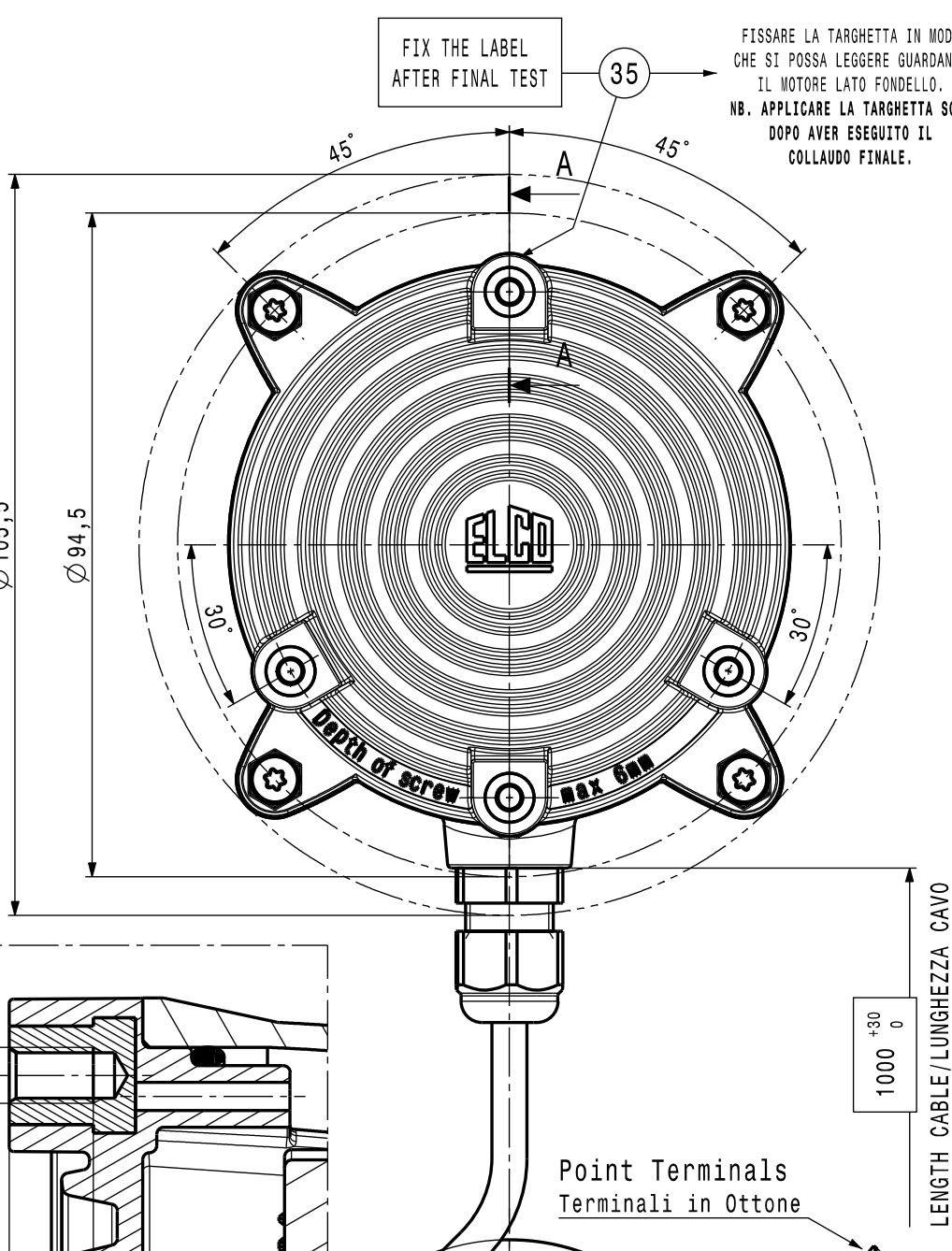
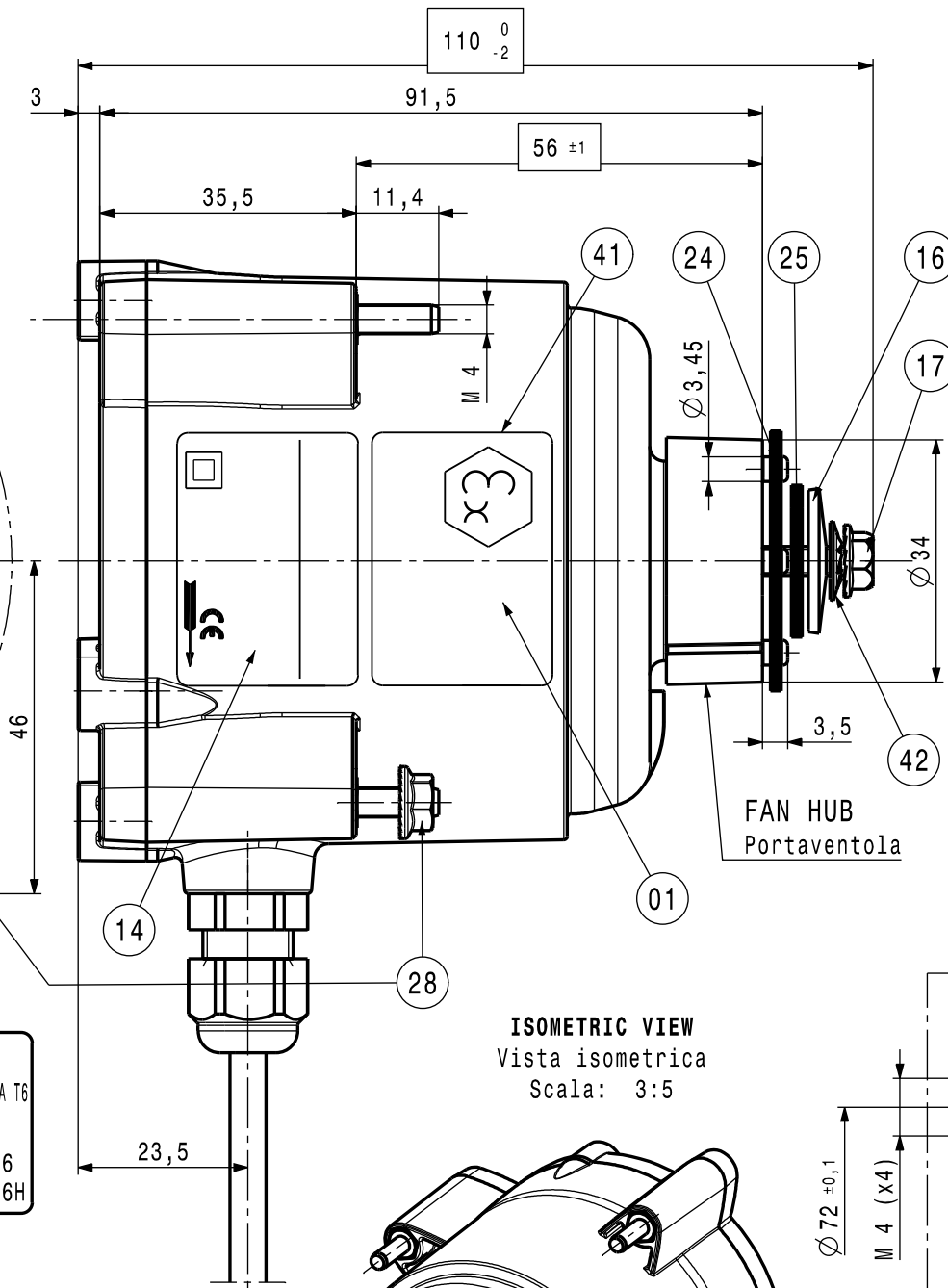
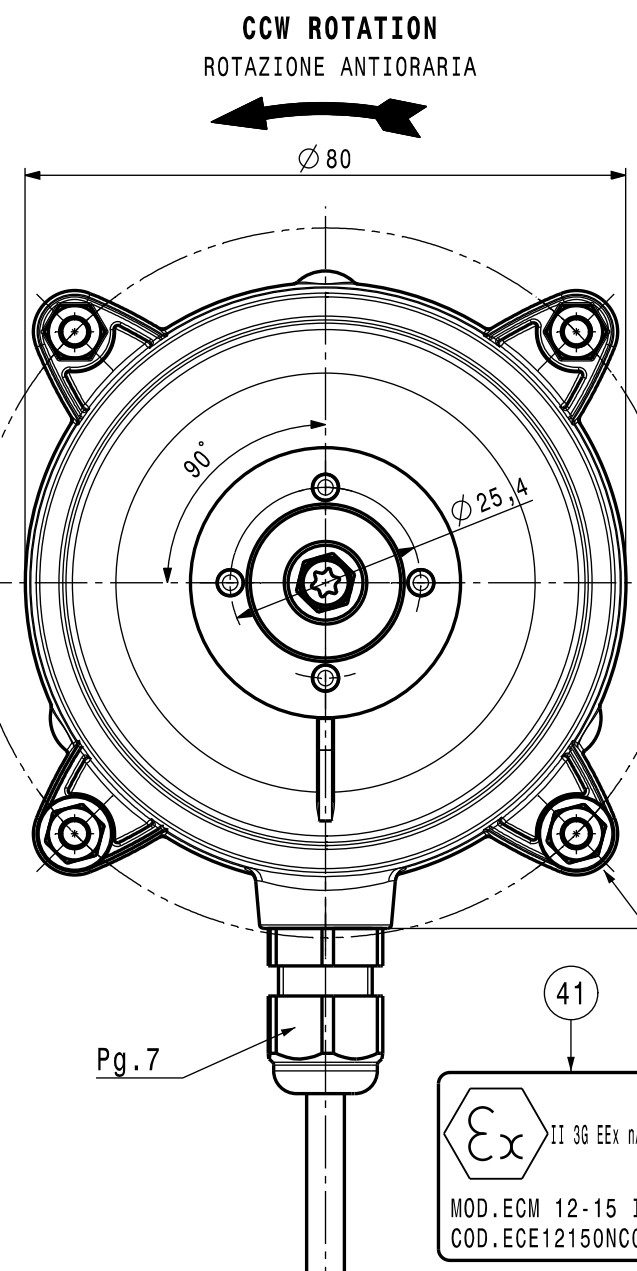


DRAWING MADE BY
CAD
HAND MADE MODIFICATIONS ARE FORBIDDEN



**MOTORE PER BLISTER
VERSIONE EUROPA**

Ex II 3G EEx nA IIA T6
MOD. ECM 12-15 IP66
COD. ECE12150NC0186H

CLASS "B" MOTOR - BALL BEARINGS MANUFACTURED (Motore in classe B - Esecuzione A CUSCINETTI)	
ELECTRONIC BOARD / SCHEDA ELETTRONICA	1H-1500Rpm
PLASTIC BODY / CORPO IN PLASTICA	-
PLASTIC BACK COVER / FONDELLO IN PLASTICA	-
PLASTIC FAN HUB / PORTAVENTOLA IN PLASTICA	-
ASSEMBLING SPECIFICATION /NORMATIVA DI ASSEMBLAGGIO	EL.UN.0098
DATA SHEET	RdS 10/0009
ELECTRICAL SPECIFICATION /PRESCRIZIONE CONTROLLO ELETTRICO	M.2276/1

MOD. ECM 12-15 IP66
COD. ECE12150NC0186H
230V 50/60Hz
14Win 0.09A 1400RPM
IP66 Cl.B TOP
DATE



A 04/03/10 Updated data label ('TOP' was 'TH.PROT.')		R.d.M.09/0008 A.T.		M.Cazzaniga	T.Sirtori
Rel	Date	Description	Executor signature	Checked	
MODIFICATIONS					
1	2	3	4		

For dim. without tolerance see standard UNI EN 22768-mK	Treatment	A3	
	Material		
 Drawn V.Trope Date 22/01/10 Check T.Sirtori Scale 1:1	Motor ECM 12 230V IP66 N 230V 50/60Hz - Rpm1500 PROTECTION DEGREE IP66	Weight . Ref.No . ECE12150NC0186H	Release A

X-ON Electronics

Largest Supplier of Electrical and Electronic Components

Click to view similar products for [Stepper Motors](#) category:

Click to view products by [Elco](#) manufacturer:

Other Similar products are found below :

[HT17-275](#) [5014-020](#) [HT17-271D](#) [HT23-596](#) [HT23-597](#) [82924041](#) [82924036](#) [82924049](#) [82920001](#) [82914016](#) [HT23-598](#) [HT08-221](#)
[MS11HS3P4067-09RL](#) [ML23HS8P4150-09RL](#) [MS17HD6P4200-24RL](#) [MS11HS5P4150-13RL](#) [MS08HY1P4050-09RL](#) [MS08HY3P4050-02RL](#) [ML24HCAL3550-01RL](#) [MS17HD6P4100-16RL](#) [ML23HS8P4220-16RL](#) [MS17HD2P4200-20RL](#) [ML23HSAL4500-E](#)
[ML23HS4P4150-06RL](#) [MS14HS5P4100-03RL](#) [MS17HD2P4100-27RL](#) [MS14HS1P4100-09RL](#) [ML34HD2L8500-01RL](#) [MS11HS1P4100-25RL](#) [ML23HSAP4150-04RL](#) [ML23HSAP4300-18RL](#) [ML23HS4P4100-02RL](#) [PL23HS8L4550-05RL](#) [PL23HSAL4500-05RL](#)
[MS17HD4P4150-22RL](#) [HT23-598D-ZAA](#) [82930002](#) [103H7126-5840](#) [SANYO MINIATURE STEPPER MOTOR](#) [STEPPER MOTOR BIPOLAR 42X38MM 2.8V 1.7A](#) [SY20STH30-0604A](#) [STEPPER MOTOR: UNIPOLAR/BIPOLAR 57Å—56MM](#) [SP2563-5160](#) [STEPPER MOTOR: UNIPOLAR/BIPOLAR 57Å—76MM](#) [FIT0278](#) [FIT0349](#) [FIT0503](#) [HT34-478](#) [5017-013](#) [ROB-09238](#)