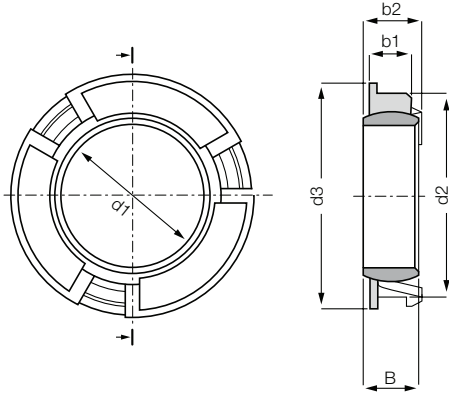


Self-aligning clip bearing: ECLM



- Very easy installation by simply snap into sheet metal
- No additional axial fastening necessary
- Extremely small installation space: space-saving, thin-walled design



Order key

Type Size [mm]

E CL M -05-02

Dimensional series E	Self-aligning clip bearing	Metric	Inner Ø	Metal sheet thickness
----------------------	----------------------------	--------	---------	-----------------------



Material:

Housing: **igumid G** ▶ Page 1496

Spherical ball: **iglidur® J** ▶ Page 141



Lifetime calculation online

▶ www.igus.eu/igubal-expert

Technical data

Part No.	Max. static compressive strength (short-term)		Max. static compressive strength (long-term)		Weight [g]
	radial [N]	axial [N]	radial [N]	axial [N]	
ECLM-05-02	700	25	350	12.5	0.5
ECLM-06-02	700	25	350	12.5	0.5
ECLM-08-02	1,000	25	500	12.5	0.5
ECLM-10-03	1,400	30	700	15.0	0.8
ECLM-12-03	1,800	20	900	10.0	0.8
ECLM-16-03	2,800	40	1,400	20.0	1.1

Dimensions [mm]

Part No.	d1 E10	B	d2 ±0.2	d3	Sheet metal thickness y	b1 ±0.1	b2	Max. pivot angle
ECLM-05-02	5	6.0	12	13	2.0	3.9	6.0	25°
ECLM-06-02	6	6.0	12	13	2.0	3.9	6.0	18°
ECLM-08-02	8	6.0	14	15	2.0	3.9	6.0	16°
ECLM-10-03	10	6.0	16	17	3.0	4.5	6.7	12°
ECLM-12-03	12	6.0	18	19	3.0	4.5	6.7	12°
ECLM-16-03	16	6.0	22	24	3.0	4.5	6.7	12°

X-ON Electronics

Largest Supplier of Electrical and Electronic Components

Click to view similar products for [Other Tools](#) category:

Click to view products by [Igus](#) manufacturer:

Other Similar products are found below :

[CR-05FL7--150R](#) [CR-05FL7--698K](#) [899-2-KT46](#) [899-5-KT46](#) [CR-0AFL4--332K](#) [CR-12FP4--260R](#) [5718X-01PD-19RO](#)
[CRCW04021100FRT7](#) [CRCW04021961FRT7](#) [5800-0090](#) [CRCW04024021FRT7](#) [CRCW040254R9FRT7](#) [CRCW0603102JRT5](#) [59065-5](#) [00-8273-RDPP](#) [00-8729-WHPP](#) [593033](#) [593058](#) [593072](#) [593564100](#) [593575](#) [593591](#) [593593](#) [LTLA506SBLAMNBL](#) [CRCW08052740FRT1](#)
[LUC-012S070DSM](#) [LUC-018S070DSP](#) [599-2021-3-NME](#) [599-JJ-2021-03](#) [00-5080-YWPP](#) [5E4750/01-20R0-T/R](#) [LW1A-L1-GD](#) [LW1A-L1-GL](#) [LW1A-P1-GD](#) [LW1L-A1C10V-GL](#) [LW1L-M1C70-A](#) [0202-0173](#) [00-9089-RDPP](#) [CRCW2010331JR02](#) [01-1003W-8/32-10](#) [601-GP-08-KT39](#) [601-JJ-06](#) [601-SPB](#) [601YSY](#) [602-JJ-03](#) [602SPB](#) [602Z](#) [603-JJ-07-FP](#) [603-JJY-04](#) [604J](#)