



Product information EF12M OCTOPUS

Industrial Ethernet:Waterproof IP67/IP54 Switches:Connecting technology:EF12M OCTOPUS

<http://www.e-catalog.beldensolutions.com/link/57078-24455-49850-24505-39096/en/conf/ui/state>

Name	EF12M OCTOPUS
	
	Industrial ETHERNET M12 socket, "D"-coded according IEC 61076-2-101 mounting thread with connection leads.
Delivery informations	
Availability	available
Product description	
Description	Industrial ETHERNET M12 socket, "D"-coded according IEC 61076-2-101 mounting thread with connection leads.
Type	EF12M OCTOPUS
Order No.	934 450-021
Type of contact	female
Number of contacts	4
Data rate	10BASE-T, 100BASE-TX
Cable gland	M16 x 1,5
Cable material	PVC
Cable length	0,08 m
Conductor size	0,34 0m ² / AWG 22
Cable specification	7 x 0,25 mm
Standard	IEC 61076-2-101
Housing Color	metallic
Technical data	
Wire stranding	4 Litzen je 0,34 mm ²
Rated voltage	AC/DC 250 V
Rated current	4 A (Derating)
Type of termination	connection leads, length max. 8 cm
Material	
Contact material	Cu Zn
Contact surface material	Au
Contact bearer material	PA
Housing material	Cu Zn / Ni
O-Ring	Viton
Environmental conditions	
Protection class (IEC 60529)	IP 67 / IP65
Pollution severity	3
Temperature range	-25 °C to +90 °C
Approvals	
UL	UL
Packing unit	
Packaging unit	25
Scope of delivery and accessories	
Accessories to order separately	protective cap M 12 VS, order no. 734 209-100 fastening nut ELST M M16, order no. 735 413-002 M12 connector EM12S OCTOPUS, order no. 934 445-001



HIRSCHMANN

A BELDEN BRAND

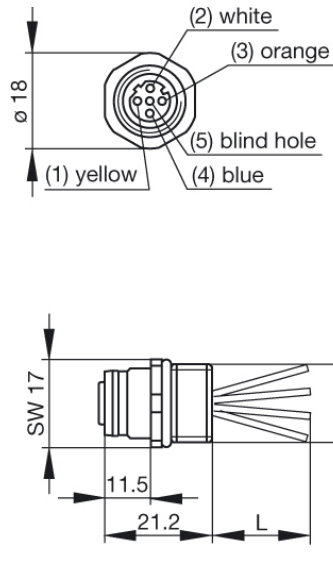
Industrial Ethernet:Waterproof IP67/IP54 Switches:Connecting technology:EF12M OCTOPUS

<http://www.e-catalog.beldensolutions.com/link/57078-24455-49850-24505-39096/en/conf/ui/state>

patchcords EM12S 001Lxxxx OCTOPUS,
order no. 934 497-xxx

Picture

Drawing



For more information please contact:

Hirschmann Automation and Control GmbH

Stuttgarter Strasse 45-51

72654 Neckartenzlingen

Germany

Phone: +49 7127/14-1809

E-Mail: inet-sales@belden.com

The information published in the websites has been compiled as carefully as possible. It is subject to alteration without notice in technical as well as in price-related/commercial respect. The complete information and data were available on user documentation. Mandatory information can only be obtained by a concrete query.

X-ON Electronics

Largest Supplier of Electrical and Electronic Components

Click to view similar products for [Standard Circular Connector](#) category:

Click to view products by [Hirschmann](#) manufacturer:

Other Similar products are found below :

[C015](#) [10F006](#) [001](#) [1](#) [5M2530B10P](#) [600247N007](#) [600259N006](#) [6280-2PG-519](#) [6280-3PG-311](#) [6280-3SG-311](#) [6280-7SG-3DC](#) [6280-7SG-522](#)
[6282-2SG-321](#) [6282-5PG-311](#) [6282-6PG-519](#) [6283-11](#) [6283-15](#) [6290](#) [6293](#) [6382-2PG-311](#) [6382-2SG-321](#) [6382-2SG-3DC](#) [6382-4SG-516](#)
[67-03E20-37P](#) [680-SMG](#) [681-PMG](#) [CXS3102A14S2P](#) [CXS3102A181S](#) [D38999/20FC8SA L/C](#) [MB12P-1](#) [MB12R-6](#) [7251-2PG-300](#) [7251-](#)
[2SG-300](#) [7251-4PG-300](#) [7251-4SG-300](#) [7251-5PG-300](#) [7251-5SG-300](#) [7251-6SG-300](#) [7251-7PG-300](#) [7251-8PG-300](#) [7271-6SG-300](#) [7282-](#)
[3PG-300-CH3](#) [7282-8PG-3ES](#) [73000005663](#) [75-190216-08S](#) [75-190218-10P](#) [75-190614-07S](#) [75-214636-52P](#) [75-474118-10P](#) [75-474211-](#)
[03P](#) [75-474218-19S](#) [75-474618-01S](#) [75-474620-07P](#)