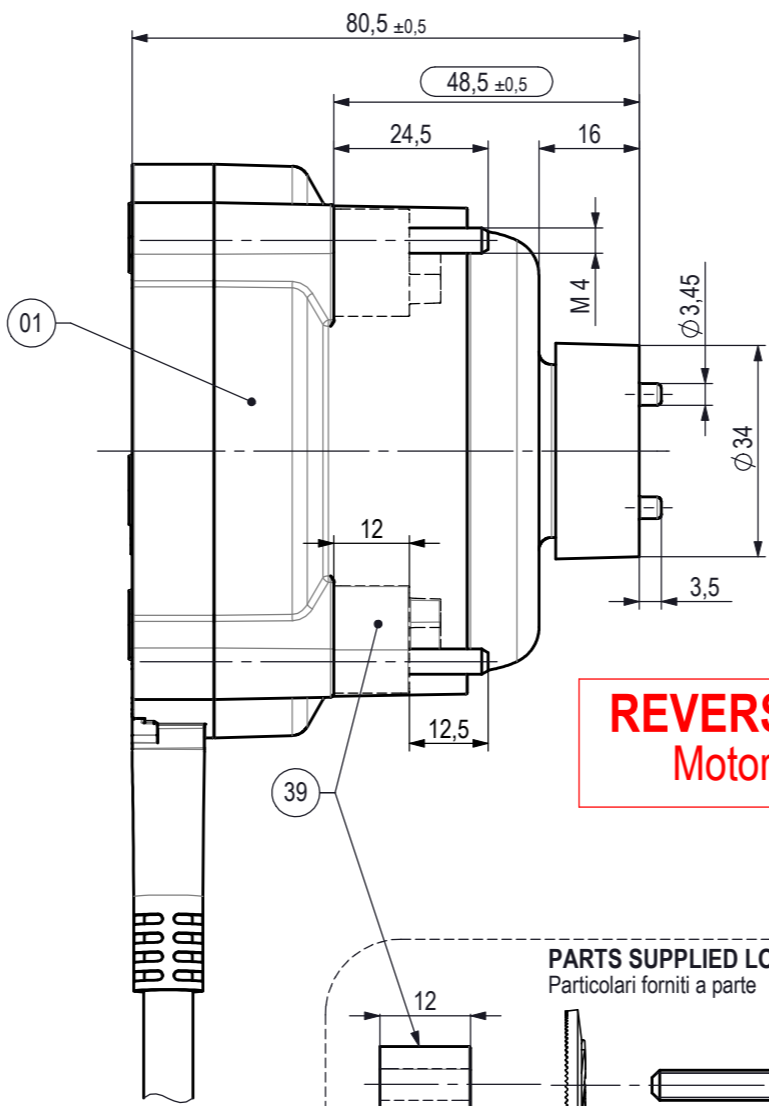
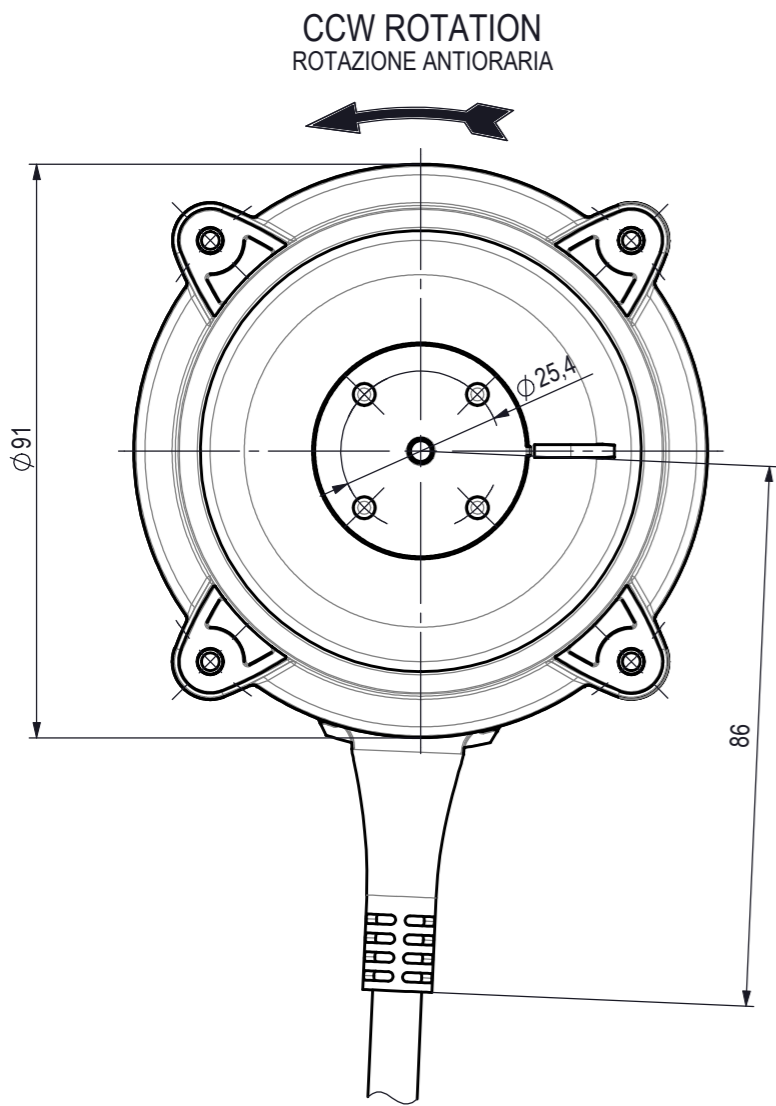
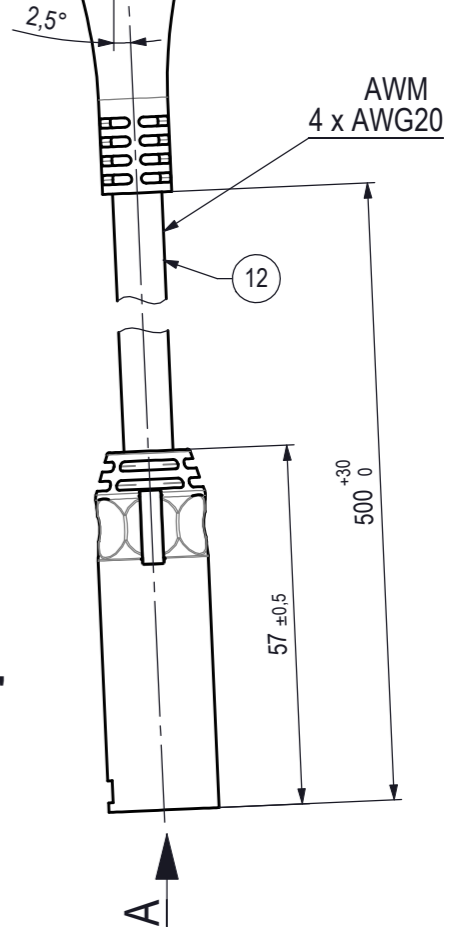
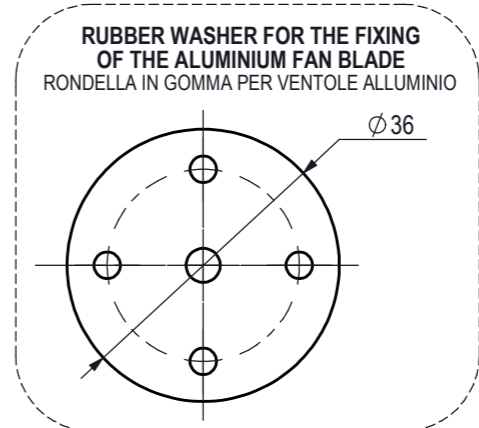
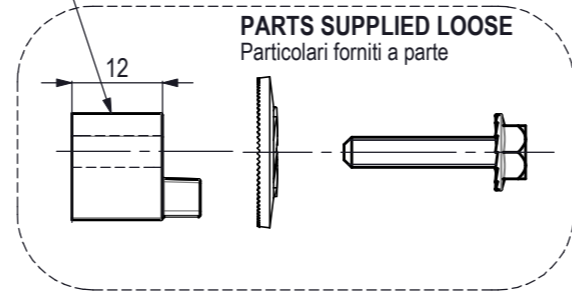
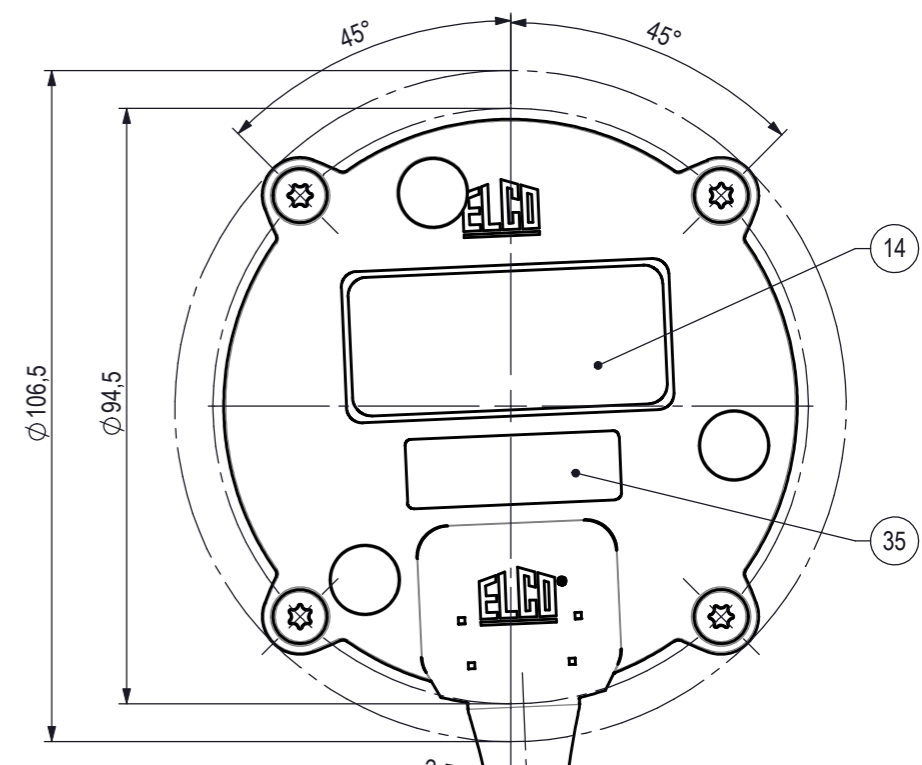


A  
B  
C  
D

A  
B  
C  
D



**REVERSIBLE MOTOR**  
Motore Reversibile



**PEREMPTORY**

Running test after the complete assembly, **cable included**  
Eseguire il collaudo ad assemblaggio completo, **cavo incluso**

<b>CLASS "B" MOTOR - BALL BEARINGS MANUFACTURED</b> (Motore in classe "B" - Esecuzione a Cuscinetti)	
ELECTRONIC BOARD (Scheda elettronica)	H - R - 1300Rpm
PLASTIC BODY (Corpo in plastica)	-
PLASTIC BACK COVER (Fondello in plastica)	-
PLASTIC FAN BLADE HUB (Portaventola in plastica)	-
ASSEMBLING SPECIFICATION (Normativa di Assemblaggio)	EL.UN.0098
OPERATING INSTRUCTIONS	OI-ECM/03
ELECTRICAL SPECIFICATION (Prescrizione controllo elettrico)	M.2298/1

35

**ELCO** Made in ...

MOD. ECM HC 12-10-2 R  
CODE EFA12100VC0350E

230V ~ 50/60Hz Cl.B  
9/13W 0,10A IP65  
Electronically protected  
1300 Rpm

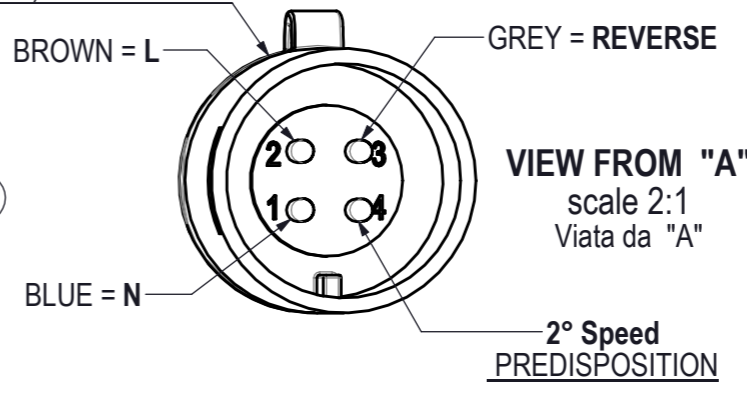
DATE

VDE REG.-Nr. E225 CE

14

BLUE N  
BROWN L  
GREY REVERSE

4 WAYS PLUG (Spina 4 vie) Type P1123  
SUPPLIER (Fornitore) Plastics



Rel.	Date	Description	Executor signature	Checked
A	21-10-2015	REMOVED A RUBBER WASHER: IT WAS SUPPLIED SEPARATELY ( Tolto una rondella in gomma: era fornita a parte )	RMT 15/0025	D.Riboldi
B	06-06-2015	Updated Parts Supplied Loose: metal washer , and added on the drawing Plastic Spacers H.12 - Updated data label. (Aggiornato Particolari Forniti a Parte: rondella in metallo bombata '7 denti', e aggiunto nel disegno i distanziali H.12 - Aggiornato targhetta)	GMT 15/0062 A.T.	M.Cazzaniga
A	01-10-2013	Updated data on data label (9/13W was 13Win) - Aggiornati dati in targhetta (9/13W era 13Win)		M.Cazzaniga

For dimension without tolerance see standard UNI EN 22768-mK

Treatment  
Material

**ELCO**

Drawn D.Riboldi  
Date 05-06-2013  
Check T. Sirtori  
Scale ---

**MOTOR ECM 12 230V HC V**  
230V 50/60Hz - 1300Rpm

Weight gr.  
Ref. No EFA12100NC0350E

**EFA12100VC0350E**

A3

Release **C**

## X-ON Electronics

Largest Supplier of Electrical and Electronic Components

*Click to view similar products for [Stepper Motors](#) category:*

*Click to view products by [Elco](#) manufacturer:*

Other Similar products are found below :

[HT17-275](#) [5014-020](#) [HT17-271D](#) [HT23-596](#) [HT23-597](#) [82924041](#) [82924036](#) [82924049](#) [82920001](#) [82914016](#) [HT23-598](#) [HT08-221](#)  
[MS11HS3P4067-09RL](#) [ML23HS8P4150-09RL](#) [MS17HD6P4200-24RL](#) [MS11HS5P4150-13RL](#) [MS08HY1P4050-09RL](#) [MS08HY3P4050-02RL](#) [ML24HCAL3550-01RL](#) [MS17HD6P4100-16RL](#) [ML23HS8P4220-16RL](#) [MS17HD2P4200-20RL](#) [ML23HSAL4500-E](#)  
[ML23HS4P4150-06RL](#) [MS14HS5P4100-03RL](#) [MS17HD2P4100-27RL](#) [MS14HS1P4100-09RL](#) [ML34HD2L8500-01RL](#) [MS11HS1P4100-25RL](#) [ML23HSAP4150-04RL](#) [ML23HSAP4300-18RL](#) [ML23HS4P4100-02RL](#) [PL23HS8L4550-05RL](#) [PL23HSAL4500-05RL](#)  
[MS17HD4P4150-22RL](#) [HT23-598D-ZAA](#) [82930002](#) [103H7126-5840](#) [SANYO MINIATURE STEPPER MOTOR](#) [STEPPER MOTOR BIPOLAR 42X38MM 2.8V 1.7A](#) [SY20STH30-0604A](#) [STEPPER MOTOR: UNIPOLAR/BIPOLAR 57Å—56MM](#) [SP2563-5160](#) [STEPPER MOTOR: UNIPOLAR/BIPOLAR 57Å—76MM](#) [FIT0278](#) [FIT0349](#) [FIT0503](#) [HT34-478](#) [5017-013](#) [ROB-09238](#)