

igubal® Flange Bearing - Product range

EFSM - Flange bearing - 4 holes - mm



- Spherical ball made from wear-resistant iglide® L280 (W300)
- Easy assembly
- Compensation of alignment errors
- Corrosion-resistant
- Lightweight
- Maintenance free, dry-running

Dimensions [mm]

Part No.	d1 [E10]	dB	L	J	A1	Ag	N
				Hole pitch	Height of housing	Total height	Bore diameter d x 1
EFSM-04	4	14.0	25.0	17.0	4.5	8.5	3.2
EFSM-05	5	14.0	25.0	17.0	4.5	8.5	3.2
EFSM-06	6	14.0	25.0	17.0	4.5	8.5	3.2
EFSM-08	8	18.0	33.0	22.0	5.5	10.5	4.3
EFSM-10	10	22.0	38.0	26.0	6.5	12.0	5.3
EFSM-12	12	25.0	40.0	28.0	7.0	13.0	5.3
EFSM-15	15	30.0	49.0	34.0	8.5	15.5	6.4
EFSM-16	16	32.5	52.0	36.0	9.0	16.5	6.4
EFSM-17	17	35.0	54.0	38.0	10.0	18.0	6.4
EFSM-20	20	40.0	65.0	45.0	11.0	20.0	8.4
EFSM-25	25	48.5	74.0	52.0	14.0	25.0	8.4
EFSM-30	30	55.0	85.0	60.0	15.0	26.0	10.5

Spherical ball materials to choose ► Page 857



J4VEM:
clearance free,
preloaded



JEM: low
moisture
absorption



REM:
low-cost

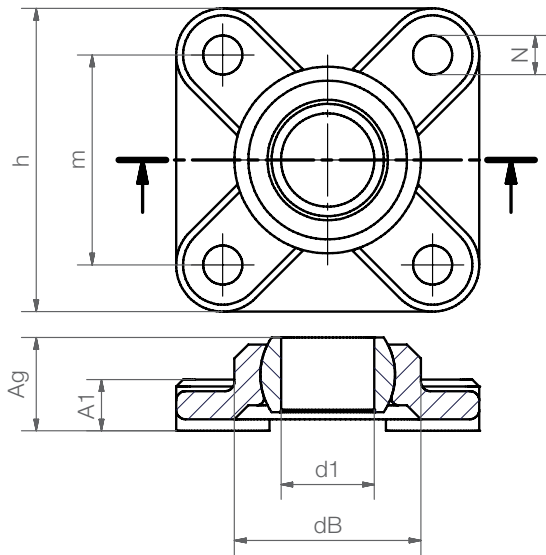


J4EM: low-cost
and low moisture
absorption

igubal® Flange Bearing - Product range

EFSM - Flange bearing - 4 holes - mm

igubal®
flange
bearing



Order key

Type Size

E F S M - 04



Material:

Housing: **igumid G** ▶ Page 1373
Spherical ball: **iglide® L280 (W300)***

Technical data

Part No.	Maximum static axial load		Maximum static radial load		Maximum static torque	Maximum pivot angle	Weight
	Short term [lbs]	Long term [lbs]	Short term [lbs]	Long term [ft lbs]	Holes [ft lbs]		
EFSM-04	45	22	225	112	0.44	27°	2.0
EFSM-05	67	34	225	12	0.44	24°	4.0
EFSM-06	67	34	225	112	0.44	24°	6.5
EFSM-08	101	51	315	158	0.96	21°	12.0
EFSM-10	158	78	450	225	1.84	24°	17.2
EFSM-12	191	96	562	281	1.84	17°	31.5
EFSM-15	247	124	674	337	3.32	20°	20.2
EFSM-16	304	152	719	360	3.32	14°	59.0
EFSM-17	360	180	764	382	3.32	21°	27.9
EFSM-20	450	225	900	450	7.74	19°	45.0
EFSM-25	540	270	1259	629	7.74	15°	76.0
EFSM-30	629	315	1348	674	15.86	14°	100.7

▶ Tolerance Table, Page 75

*W300 is the European material equivalent for iglide® L280.

X-ON Electronics

Largest Supplier of Electrical and Electronic Components

Click to view similar products for [Other Tools](#) category:

Click to view products by [Igus](#) manufacturer:

Other Similar products are found below :

[CR-05FL7--150R](#) [CR-05FL7--698K](#) [899-2-KT46](#) [899-5-KT46](#) [CR-0AFL4--332K](#) [CR-12FP4--260R](#) [5718X-01PD-19RO](#)
[CRCW04021100FRT7](#) [CRCW04021961FRT7](#) [5800-0090](#) [CRCW04024021FRT7](#) [CRCW040254R9FRT7](#) [CRCW0603102JRT5](#) [59065-5](#) [00-8273-RDPP](#) [00-8729-WHPP](#) [593033](#) [593058](#) [593072](#) [593564100](#) [593575](#) [593591](#) [593593](#) [LTLA506SBLAMNBL](#) [CRCW08052740FRT1](#)
[LUC-012S070DSM](#) [LUC-018S070DSP](#) [599-2021-3-NME](#) [599-JJ-2021-03](#) [00-5080-YWPP](#) [5E4750/01-20R0-T/R](#) [LW1A-L1-GD](#) [LW1A-L1-GL](#) [LW1A-P1-GD](#) [LW1L-A1C10V-GL](#) [LW1L-M1C70-A](#) [0202-0173](#) [00-9089-RDPP](#) [CRCW2010331JR02](#) [01-1003W-8/32-10](#) [601-GP-08-KT39](#) [601-JJ-06](#) [601-SPB](#) [601YSY](#) [602-JJ-03](#) [602SPB](#) [602Z](#) [603-JJ-07-FP](#) [603-JJY-04](#) [604J](#)