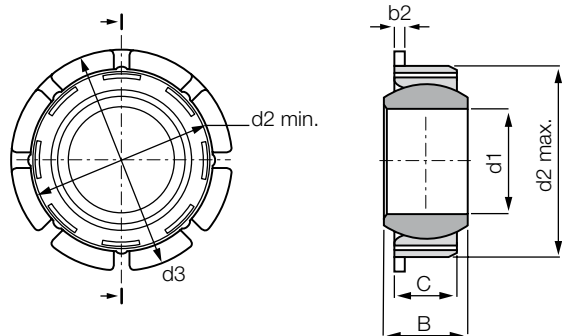


Self-aligning clip bearing: EGFM-T



- Maintenance free, dry-running
- Easy to fit
- Max. tolerance compensation ± 0.2 mm



Order key

Type	Size	Version
------	------	---------

E **GF** **M** - **08** **T**

Dimensional series E	Self-aligning bearing with flange	Metric	Inner-Ø d1 [mm]	Tolerance compensation
----------------------	-----------------------------------	--------	-----------------	------------------------



Material:

Housing: **igumid G** ▶ Page 1235

Spherical balls: **iglidur® W300** ▶ Page 121

Other spherical balls on request ▶ Page 693

Technical data

Part No.	Max. stat. compressive force (short term)		Max. stat. compressive force (long term)		Weight [g]
	radial [N]	axial [N]	radial [N]	axial [N]	
EGFM-08 T SL ³¹⁾	1,100	150	550	75	0.9
EGFM-10 T	1,900	220	950	110	2.4
EGFM-12 T	2,500	270	1,250	135	3.0
EGFM-16 T	6,000	600	3,000	300	6.6
EGFM-20 T	9,000	800	4,500	400	11.1
EGFM-25 T	14,000	2,800	7,000	1,400	19.0
EGFM-30 T	17,000	3,000	8,500	1,500	24.0

Dimensions [mm]

Part No.	d1	d2		d3	C	B	b2	Housing		Max. pivot angle
		min.	max.					min.	max.	
EGFM-08 T SL ³¹⁾	8 (H10)	15.8	16.5	18	5.0	6	1.1	15.8	16.2	11°
EGFM-10 T	10 (E10)	20.8	21.6	26	6.0	9	1.0	20.8	21.2	24°
EGFM-12 T	12 (E10)	22.8	23.6	28	7.0	10	1.0	22.8	23.2	21°
EGFM-16 T	16 (E10)	29.8	30.6	35	9.5	13	1.5	29.8	30.2	21°
EGFM-20 T	20 (E10)	34.8	35.6	42	12.0	16	2.0	34.8	35.2	18°
EGFM-25 T	25 (E10)	41.8	42.6	50	16.0	20	2.0	41.8	42.2	16°
EGFM-30 T	30 (E10)	46.8	47.6	55	18.0	22	2.0	46.8	47.2	13°

³¹⁾ Spherical ball made of iglidur® J

X-ON Electronics

Largest Supplier of Electrical and Electronic Components

Click to view similar products for [Other Tools](#) category:

Click to view products by [Igus](#) manufacturer:

Other Similar products are found below :

[CR-05FL7--150R](#) [CR-05FL7--698K](#) [899-2-KT46](#) [899-5-KT46](#) [CR-0AFL4--332K](#) [CR-12FP4--260R](#) [5718X-01PD-19RO](#)
[CRCW04021100FRT7](#) [CRCW04021961FRT7](#) [5800-0090](#) [CRCW04024021FRT7](#) [CRCW040254R9FRT7](#) [CRCW0603102JRT5](#) [59065-5](#) [00-8273-RDPP](#) [00-8729-WHPP](#) [593033](#) [593058](#) [593072](#) [593564100](#) [593575](#) [593591](#) [593593](#) [LTLA506SBLAMNBL](#) [CRCW08052740FRT1](#)
[LUC-012S070DSM](#) [LUC-018S070DSP](#) [599-2021-3-NME](#) [599-JJ-2021-03](#) [00-5080-YWPP](#) [5E4750/01-20R0-T/R](#) [LW1A-L1-GD](#) [LW1A-L1-GL](#) [LW1A-P1-GD](#) [LW1L-A1C10V-GL](#) [LW1L-M1C70-A](#) [0202-0173](#) [00-9089-RDPP](#) [CRCW2010331JR02](#) [01-1003W-8/32-10](#) [601-GP-08-KT39](#) [601-JJ-06](#) [601-SPB](#) [601YSY](#) [602-JJ-03](#) [602SPB](#) [602Z](#) [603-JJ-07-FP](#) [603-JJY-04](#) [604J](#)