

EK EKPK 180 T



Sample photo

Order symbol: EKPK 180 T
Product nbr: 2538155
Description: Enclosure, PC
Remarks: Transparent cover

EAN: 6418074013897
EI. number:
 Finland: 3425477
 Electric No. Italy: 7502055
 Electric No. Sweden: 2538155

Including: Flanged Base with screws for mounting plate, cover with PUR gasket and polyamide cover screws.

Dimensions:	Length	Width	Height	Accessories:	
mm:	380	280	180	EKPL	Base, PC
inch:	15.0	11.0	7.1	EKP 30-G	Cover
				EKP 80-G	Cover
				EKP 30-T	Cover
				EKP 80-T	Cover
				EKPVT	Mounting plate
				EKPXT	Mounting plate isolated
				EKV 22	DIN-35 Mounting rail
				EKV 32	DIN-35 Mounting rail
				EKPZR	Extension frame

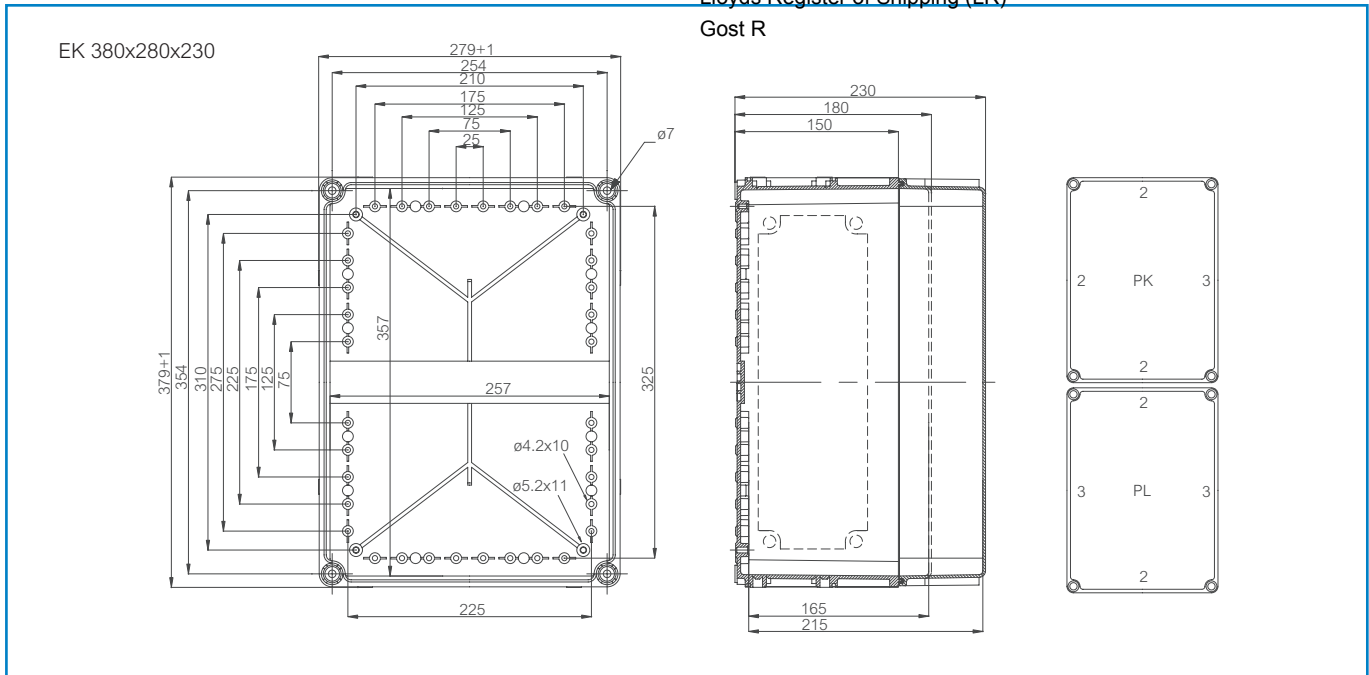
Materials:	
Material:	Polycarbonate
Base colour:	RAL 7035 -light grey
Cover screws material:	Polyamide
Cover colour:	Clear transparent
Cover screws colour:	Grey
Gasket material:	Polyurethane

Temperatures:	
Temperature °C (short term):	-40 ... 120 °C
Temperature °C (continuous):	-40 ... 80 °C
Temperature °F (short term):	-40 ... 250 °F
Temperature °F (continuous):	-40 ... 175 °F

Accessories:	
EKPK	Base, PC

Rating:	
Ingress Protection (EN 60529):	IP66/IP67
Impact Resistance (EN 62262):	IK08
Electrical insulation:	Totally insulated
Halogen free (DIN/VDE 0472, Part 815):	1
UV resistance:	UL 508
Flammability Rating:	UL 746C 5"
Glow Wire Test (IEC 695-2-1) °C:	960
NEMA Class:	NEMA 1, 3, 3S, 4, 4X, 6, 6P, 12

Certificates:	
Germanischer Lloyd (GL)	
SGS Fimko	
Lloyds Register of Shipping (LR)	
Gost R	



X-ON Electronics

Largest Supplier of Electrical and Electronic Components

Click to view similar products for [Mounting Fixings](#) category:

Click to view products by [Fibox](#) manufacturer:

Other Similar products are found below :

[5912235-2](#) [007310](#) [007541](#) [6-141-P](#) [620HA038NF09](#) [620HA038NF11](#) [CTJ420E028-513](#) [M81714/60-12-01](#) [M81714/60-22-01](#) [L/C](#)
[MA1EAF1200](#) [70-584649-01P](#) [71-074914-006](#) [71-215091-8S](#) [712HA170B23128-N](#) [71-344699-4S](#) [71-441549-19S](#) [71-441864-5S](#) [71-](#)
[490451-4H](#) [EX-13-3-B-16-325PN](#) [75-69116-8S](#) [75-69211-3P](#) [75-69220-27S](#) [75-69224-5S](#) [75-69614-2S](#) [770-006A109](#) [770-006A109R](#) [770-](#)
[006A207](#) [770-006A208W1](#) [770-006A209](#) [770-006A306](#) [770-006A703W1](#) [770-006A704](#) [770-006A704W1](#) [770-006A705](#) [770-006A706](#)
[770-006A706W1](#) [770-006A707](#) [770-006A709](#) [770-007A203](#) [770-007A203W1](#) [770-007A204W1](#) [770-007A207W1](#) [770-007A703](#) [770-](#)
[007A704W1](#) [770-007A706](#) [770-007A707W1](#) [770-010Y208](#) [770-010Y308](#) [770-010Y705](#) [770-010Y706](#)