

EK EKPL 180 G



Sample photo

Order symbol: EKPL 180 G
Product nbr: 2538061
Description: Enclosure, PC
Remarks: Grey cover

EAN: 6418074013644
EI. number:
 Finland: 3425430
 Electric No. Italy: 7501060
 Electric No. Sweden: 2538061

Including: Flanged Base with screws for mounting plate, cover with PUR gasket and polyamide cover screws.

Dimensions:	Length	Width	Height	Accessories:	
mm:	380	280	180	EKPL	Base, PC
inch:	15.0	11.0	7.1	EKP 30-G	Cover
				EKP 80-G	Cover
				EKP 30-T	Cover
				EKP 80-T	Cover
				EKPVT	Mounting plate
				EKPXT	Mounting plate isolated
				EKV 22	DIN-35 Mounting rail
				EKV 32	DIN-35 Mounting rail
				EKPZR	Extension frame

Materials:

Material: Polycarbonate
Base colour: RAL 7035 -light grey
Cover screws material: Polyamide
Cover colour: RAL 7035 -light grey
Cover screws colour: Grey
Gasket material: Polyurethane

Temperatures:

Temperature °C (short term): -40 ... 120 °C
Temperature °C (continuous): -40 ... 80 °C
Temperature °F (short term): -40 ... 250 °F
Temperature °F (continuous): -40 ... 175 °F

Accessories:

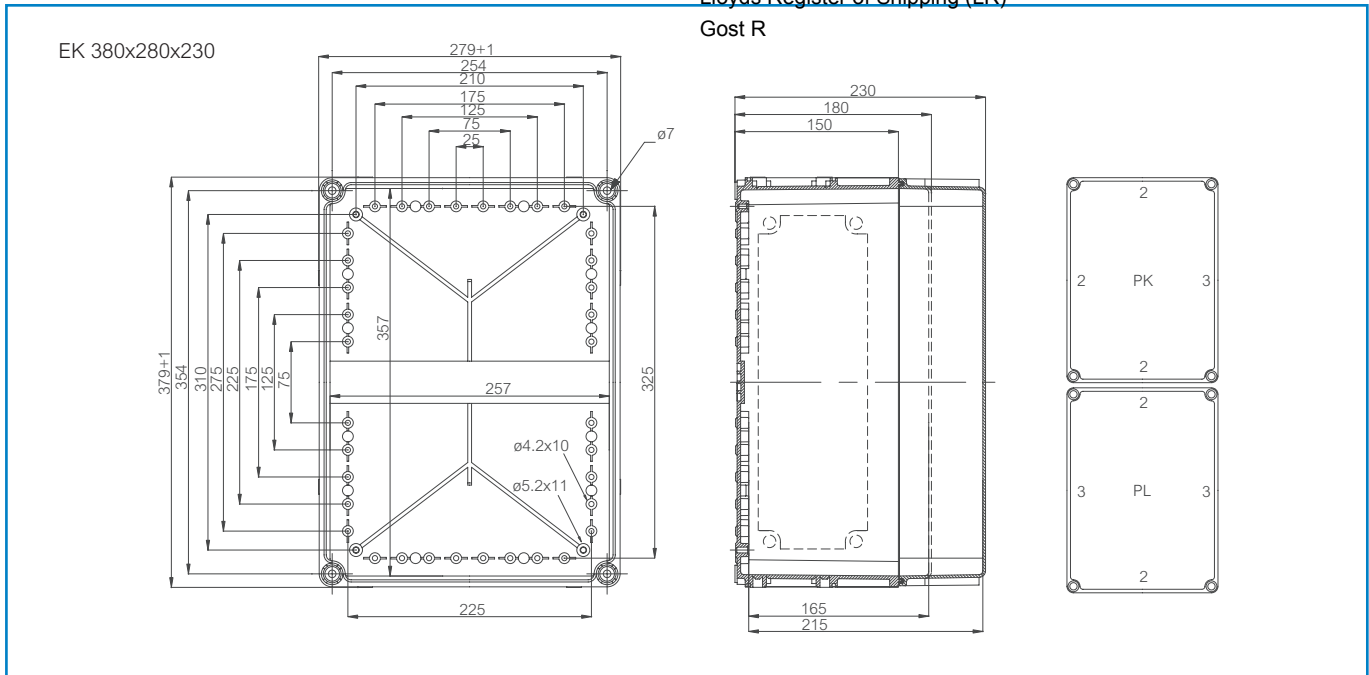
EKPK Base, PC

Rating:

Ingress Protection (EN 60529): IP66/IP67
 Impact Resistance (EN 62262): IK08
 Electrical insulation: Totally insulated
 Halogen free (DIN/VDE 0472, Part 815): 1
 UV resistance: UL 508
 Flammability Rating: UL 746C 5"
 Glow Wire Test (IEC 695-2-1) °C: 960
 NEMA Class: NEMA 1, 3, 3S, 4, 4X, 6, 6P, 12

Certificates:

Germanischer Lloyd (GL)
 SGS Fimko
 Lloyds Register of Shipping (LR)
 Gost R



X-ON Electronics

Largest Supplier of Electrical and Electronic Components

Click to view similar products for [Mounting Fixings](#) category:

Click to view products by [Fibox](#) manufacturer:

Other Similar products are found below :

[5912235-2](#) [007310](#) [007541](#) [6-141-P](#) [620HA038NF09](#) [620HA038NF11](#) [CTJ420E028-513](#) [M81714/60-12-01](#) [M81714/60-22-01](#) [L/C](#)
[MA1EAF1200](#) [70-584649-01P](#) [71-074914-006](#) [71-215091-8S](#) [712HA170B23128-N](#) [71-344699-4S](#) [71-441549-19S](#) [71-441864-5S](#) [71-](#)
[490451-4H](#) [EX-13-3-B-16-325PN](#) [75-69116-8S](#) [75-69211-3P](#) [75-69220-27S](#) [75-69224-5S](#) [75-69614-2S](#) [770-006A109](#) [770-006A109R](#) [770-](#)
[006A207](#) [770-006A208W1](#) [770-006A209](#) [770-006A306](#) [770-006A703W1](#) [770-006A704](#) [770-006A704W1](#) [770-006A705](#) [770-006A706](#)
[770-006A706W1](#) [770-006A707](#) [770-006A709](#) [770-007A203](#) [770-007A203W1](#) [770-007A204W1](#) [770-007A207W1](#) [770-007A703](#) [770-](#)
[007A704W1](#) [770-007A706](#) [770-007A707W1](#) [770-010Y208](#) [770-010Y308](#) [770-010Y705](#) [770-010Y706](#)