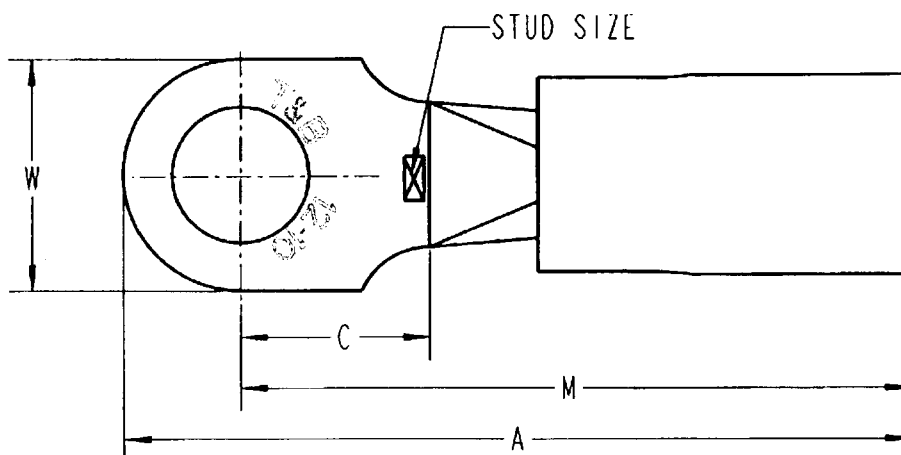




T&B Sta-Kon



MATERIAL: COPPER (.040 THICK)

FINISH: ELECTRO-TIN PLATE

WIRE RANGE: 12-10 AWG

STRIP LENGTH: 5/16" ± 1/32
0

INSTALLING TOOLS: WT2000, WT145C, WT2130, WT112M, ERG-2001

CAT. NO*	DIST. CAT. NO*	STUD SIZE	A MAX.	W MAX.	C MIN.	M MAX.	MAX. WIRE INSUL. DIA.
RC333	RC10-6	6	1.00	.37	.27	.81	.210
RC334	RC10-6X	6	1.10	.37	.27	.91	.250
RC335	---	6	1.10	.37	.27	.91	.275
RC863	RC10-8	8	1.05	.37	.27	.81	.210
RC864	RC10-8X	8	1.10	.37	.27	.91	.250
RC865	---	8	1.10	.37	.27	.91	.275
RC363	RC10-10	10	1.00	.37	.27	.81	.210
RC364	RC10-10X	10	1.10	.37	.27	.91	.250
RC365	---	10	1.10	.37	.27	.91	.275
RC713	RC10-14	1/4	1.17	.53	.32	.86	.210
RC714	RC10-14X	1/4	1.22	.53	.32	.96	.250
RC715	---	1/4	1.22	.53	.32	.96	.275

ALL DIMENSIONS ARE APPROXIMATE, FOR REFERENCE ONLY.

*FOR NICKEL PLATED TERMINALS ADD NP SUFFIX TO CATALOG NUMBER.

GENERAL NOTES		Thomas & Betts <small>www.tnb.com</small>			
1. ALL DIMENSIONS ARE FOR REFERENCE ONLY. 2. DIMENSIONS IN BRACKETS () ARE IN METRIC UNITS.					
REVISIONS		DESCRIPTION: STA-KON RING TONGUE TERMINALS NYLON SELF-INSULATED			
1 SEE ERN (2015187) FOR APPROVAL SIGNATURES & RELEASE DATE. PROJECT NO: TM400023		ORIGINAL PROJECT NO / (ERN NO) TM401330 / (2008579)	SHEET NO: 1 OF 1	REV. NO: 1	DRAWING NO: WSD-000269

X-ON Electronics

Largest Supplier of Electrical and Electronic Components

Click to view similar products for [ABB manufacturer:](#)

Other Similar products are found below :

[TY27MX](#) [TV10-516R](#) [RF727](#) [2CMA100178R1000](#) [ACS150-01E-09A8-2](#) [KS70-1104](#) [A75-30-11-230V-50HZ](#) [10-100](#) [5SDD](#) [92Z0401](#)
[ESV14-BS](#) [EZS-21-250](#) [F204AC-40/0.1](#) [F362-25/0.03](#) [A40-30-10-84](#) [AF26-30-00-14](#) [AF30-30-00-13](#) [AF460-30-11-68](#) [AF50-30-11-70](#)
[1455](#) [B14-250](#) [EF45-30](#) [ERG297](#) [HSC2-20](#) [1SAM201904R1001](#) [1SAM350000R1003](#) [1SAZ711201R1045](#) [1SAZ721201R1009](#)
[1SAZ721201R1014](#) [1SAZ721201R1025](#) [1SAZ721201R1045](#) [1SBL367001R1300](#) [1SDA057197R1](#) [1SFA611100R1104](#) [1SFA611101R1002](#)
[1SFA611130R1103](#) [1SFA611133R1106](#) [1SFA611143R1101](#) [1SFA611202R1108](#) [1SFA611203R1108](#) [1SFA611210R1101](#)
[1SFA611215R1001](#) [1SFA611216R1108](#) [1SFA611281R1002](#) [1SFA611285R1002](#) [1SFA611702R6006](#) [1SFA616162R1025](#)
[1SFA896106R1100](#) [1SVR730020R0200](#) [IPC4111](#) [OHB125J12](#)