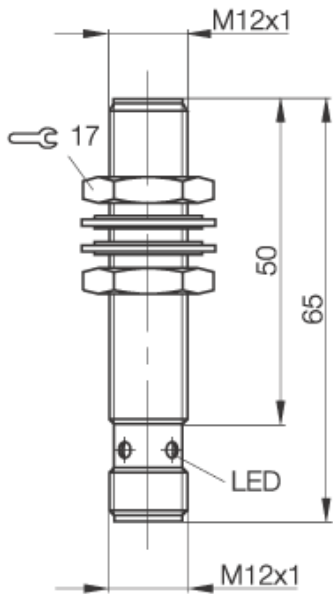
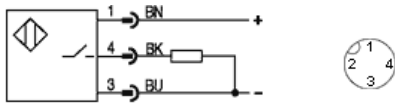


cyl. M12
 Sn = 8 mm
 DC 3-Wire
 quasi shielded



PX1420



Utilization categories DC 13

Further information:



Einbauhinweise 825356

If not differently indicated,
 all values by IEC 60947-5-2 (DIN EN60947-5-2)
 Specifications subject to change

Balluff GmbH
 Postfach 1160
 73761 Neuhausen
 Telefon (07158) 173-0
 Telefax (07158) 5010

Common Data

Mounting		quasi shielded
Rated operating distance Sn	mm	8,0
Assured operating distance Sa	mm	0...5,8
Repeatability	%	<= 10
Function Indication		yes
Ambient temperature range	°C	0...+60

Mechanical Data

Housing size	mm	cyl. M12
Measurements BxHxT or DxT	mm	M12 x 65
Housing material		CuZn nickel plated
Material of sensing face		LCP
Degree of protection		IP67
Connection		Connector S4

Electrical Data

Current type		DC
Wiring		3-Wire
switching function		normally-open
Output signal		PNP
Rated operational voltage	V	24 DC
Rated operational current	mA	200
Supply voltage	V	10...55 DC
Rated supply frequency	Hz	300
No-load supply current	mA	<= 10
Off-state current	µA	<= 10
Voltage drop	V	<= 2.5
Short circuit protection		yes
Protected against polarity reversal		yes

24.02.2004 / Online-Information

X-ON Electronics

Largest Supplier of Electrical and Electronic Components

Click to view similar products for [Balluff](#) manufacturer:

Other Similar products are found below :

[BOS 18KF-PA-1PD-C-02](#) [BES M08EH-PSC40F-S04G](#) [BLS-S5-5-G8-05](#) [Z/NUTS-12MM-SS-\(12PACK\)](#) [BCC W414-W415-W415-U2048-006](#) [BES M18ME-PSC50B-S04G-003](#) [BUS M30M1-PPX-20/130-S92K](#) [BUS M30M1-PPX-35/340-S92K](#) [BCS M12B4I1-PSC40D-EP02](#) [BOS 18KF-PA-1LOC-S4-C](#) [BOS 18KF-PA-1TB-S4-C](#) [BOS 5K-PS-IX10-02](#) [BOS 5K-PS-RH12-02](#) [BOS 5K-PS-IX10-S49](#) [BOS 5K-PU-LX10-S75](#) [BUS M18M1-GPXI-02/015-S92G](#) [BUS M30M1-PPX-03/025-S92K](#) [BUS M18M1-XB-02/015-S92G](#) [BUS M18M1-GPXI-07/035-S92G](#) [BES M12MG-PSC80F-S04G](#) [BOS 5K-PS-RD11-S75](#) [BOS 5K-PS-RH12-S49](#) [BES M18MI-PSC80B-BV02](#) [BNN-UR-010-040-12](#) [BOS 18KF-PA-1RE-S4-C](#) [BCS M30B4E1-PSC25H-EP02](#) [BCS M30BBE2-PSC25H-S04K](#) [BES M18EI-PSC80B-S04G](#) [BES 516-347-SA2-03](#) [BES G12EE1-PSY40F-S04G-L02](#) [BOS 18KF-PA-1XA-C-02](#) [BOS 18KF-PA-1PE-S4-C](#) [BOS 5K-PU-LR10-S75](#) [BUS M18M1-XB-12/100-S92G](#) [BUS M30M1-PPX-07/035-S92K](#) [BOS 18KF-PA-1QD-C-02](#) [BOS 5K-PS-RR10-02](#) [BES M08EE-PSC15B-S04G-003](#) [BES M08EH-PSC40F-S49G](#) [BOS 5K-PS-RR10-S49](#) [BCS M18B4G2-PSC15H-S04K](#) [BCS M30B4I1-PSC15D-EP02](#) [BCS M30BBI1-PSC15D-EP02](#) [BCS M12BBG1-PSC80H-EP02](#) [BES 516-324-S49-C 10-30V D](#) [BES 516-357-S4-C](#) [BES 515-326-S4-C](#) [BCS M12B4G2-PSC40D-S04K](#) [BOS 18KF-PA-1LQP-S4-C](#) [BOS 5K-PS-IX10-S75](#)