

cyl. M12
 Sn = 10 mm
 DC 3-Wire
 unshielded

Common Data

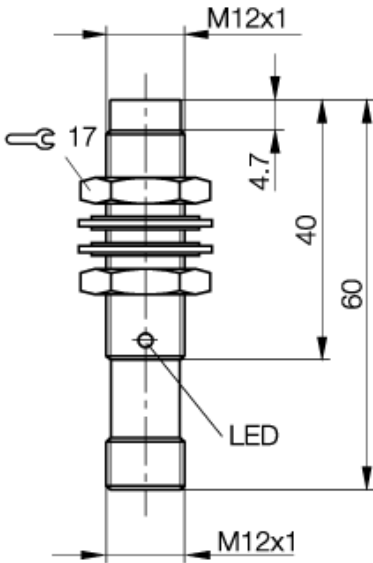
| | | |
|-------------------------------|----|------------|
| Mounting | | unshielded |
| Rated operating distance Sn | mm | 10,0 |
| Assured operating distance Sa | mm | 0...8.1 |
| Repeatability | % | <= 5 |
| Function indication | | yes |
| Ambient temperature range | °C | -25...+70 |

Mechanical Data

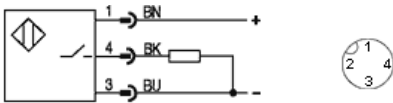
| | | |
|---------------------------|----|--------------------|
| Housing size | mm | cyl. M12 |
| Measurements BxHxT or DxT | mm | M12x1 x 60 |
| Housing material | | CuZn chrome plated |
| Material of sensing face | | PBT |
| Degree of protection | | IP67 |
| Connection | | Connector S4 |

Electrical Data

| | | |
|-------------------------------------|----|---------------|
| Current type | | DC |
| Wiring | | 3-Wire |
| switching function | | normally-open |
| Output signal | | PNP |
| Rated operational voltage | V | 24 DC |
| Rated operational current | mA | 200 |
| Supply voltage | V | 10...30 DC |
| Rated supply frequency | Hz | 400 |
| No-load supply current | mA | <= 10 |
| Off-state current | µA | <= 100 |
| Voltage drop | V | <= 2 |
| Short circuit protection | | yes |
| Protected against polarity reversal | | yes |

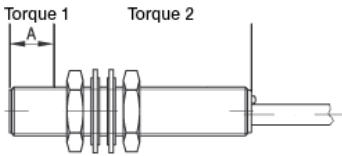


PX1485



Utilization categories DC 13

Tightening torque:



Torque 1 Nm 10

If only torque1 is indicated, this applies to entire thread

If not differently indicated, all values by IEC 60947-5-2 (DIN EN60947-5-2) Specifications subject to change

Balluff GmbH
 Postfach 1160
 73761 Neuhausen
 Telefon (07158) 173-0
 Telefax (07158) 5010

11.08.2004 / Online-Information

X-ON Electronics

Largest Supplier of Electrical and Electronic Components

Click to view similar products for [Balluff](#) manufacturer:

Other Similar products are found below :

[BOS 18KF-PA-1PD-C-02](#) [BES M08EH-PSC40F-S04G](#) [BLS-S5-5-G8-05](#) [Z/NUTS-12MM-SS-\(12PACK\)](#) [BCC W414-W415-W415-U2048-006](#) [BES M18ME-PSC50B-S04G-003](#) [BUS M30M1-PPX-20/130-S92K](#) [BUS M30M1-PPX-35/340-S92K](#) [BCS M12B4I1-PSC40D-EP02](#) [BOS 18KF-PA-1LOC-S4-C](#) [BOS 18KF-PA-1TB-S4-C](#) [BOS 5K-PS-IX10-02](#) [BOS 5K-PS-RH12-02](#) [BOS 5K-PS-IX10-S49](#) [BOS 5K-PU-LX10-S75](#) [BUS M18M1-GPXI-02/015-S92G](#) [BUS M30M1-PPX-03/025-S92K](#) [BUS M18M1-XB-02/015-S92G](#) [BUS M18M1-GPXI-07/035-S92G](#) [BES M12MG-PSC80F-S04G](#) [BOS 5K-PS-RD11-S75](#) [BOS 5K-PS-RH12-S49](#) [BES M18MI-PSC80B-BV02](#) [BNN-UR-010-040-12](#) [BOS 18KF-PA-1RE-S4-C](#) [BCS M30B4E1-PSC25H-EP02](#) [BCS M30BBE2-PSC25H-S04K](#) [BES M18EI-PSC80B-S04G](#) [BES 516-347-SA2-03](#) [BES G12EE1-PSY40F-S04G-L02](#) [BOS 18KF-PA-1XA-C-02](#) [BOS 18KF-PA-1PE-S4-C](#) [BOS 5K-PU-LR10-S75](#) [BUS M18M1-XB-12/100-S92G](#) [BUS M30M1-PPX-07/035-S92K](#) [BOS 18KF-PA-1QD-C-02](#) [BOS 5K-PS-RR10-02](#) [BES M08EE-PSC15B-S04G-003](#) [BES M08EH-PSC40F-S49G](#) [BOS 5K-PS-RR10-S49](#) [BCS M18B4G2-PSC15H-S04K](#) [BCS M30B4I1-PSC15D-EP02](#) [BCS M30BBI1-PSC15D-EP02](#) [BCS M12BBG1-PSC80H-EP02](#) [BES 516-324-S49-C 10-30V D](#) [BES 516-357-S4-C](#) [BES 515-326-S4-C](#) [BCS M12B4G2-PSC40D-S04K](#) [BOS 18KF-PA-1LQP-S4-C](#) [BOS 5K-PS-IX10-S75](#)