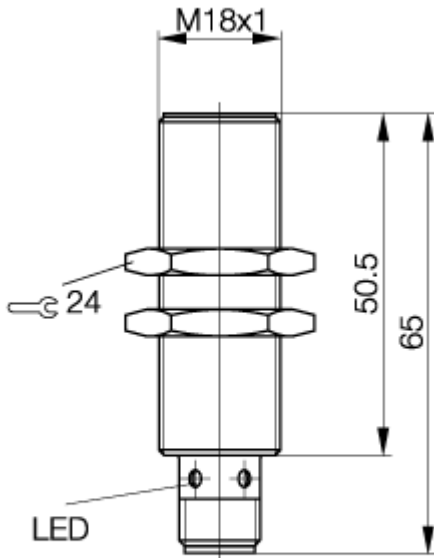


M 18  
SI = 1...5 mm  
0...10V  
shielded



**Common Data**

Mounting in steel		shielded
Linearity range SI	mm	1...5
Rated operating distance Se	mm	4
Repeat accuracy		± 8 µm
Limit frequency (-3dB)		500 Hz
Measuring velocity		≤40 m/s
Response time		1 ms
Temperature coefficient TK	typ.	-2 µm/K
in optimized range	min.	+1 µm/K
from +10...+50°C	max.	-8 µm/K
Max. non-linearity	%	±3% from Ua max.
Adjusting indication		ja
Ambient temperature range	°C	-10...+70
Time delay before availability	ms	<1ms

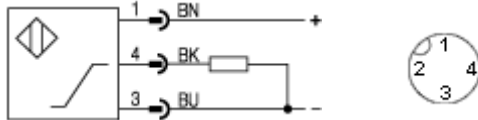
**Mechanical Data**

Housing size	mm	cyl. M 18
Measurements BxHxT or DxT	mm	M18x1 x 65
Housing material		CuZn nickel plated
Material of sensing face		PBT
Degree of protection	IP	IP67
Connection		Connector S4
Recommended connector		BKS-S19-1/BKS-S20-1

**Electrical Data**

Current type		DC
Wiring		3-Wire
Output signal		0...10V
Rated operational voltage	V	24 DC
Rated insulation voltage Ui	V	250 V AC
Ripple	%	≤ 15% from Ue
Output resistance		>2kOhm
No-load supply current	mA	≤ 10
Short circuit protection		yes
Protected against polarity rev		yes

PX1356



Approvals



Utilization categories DC 13  
Insulation class II

If not differently indicated,  
all values by IEC 947-5-2  
(DIN EN60947-5-2)  
Specifications subject to change

Balluff GmbH  
Postfach 1160  
73761 Neuhausen  
Telefon (07158) 173-0  
Telefax (07158) 5010

07.07.2005 / Online-Information

## X-ON Electronics

Largest Supplier of Electrical and Electronic Components

*Click to view similar products for [Balluff](#) manufacturer:*

Other Similar products are found below :

[BOS 18KF-PA-1PD-C-02](#) [BES M08EH-PSC40F-S04G](#) [BLS-S5-5-G8-05](#) [Z/NUTS-12MM-SS-\(12PACK\)](#) [BCC W414-W415-W415-U2048-006](#) [BES M18ME-PSC50B-S04G-003](#) [BUS M30M1-PPX-20/130-S92K](#) [BUS M30M1-PPX-35/340-S92K](#) [BCS M12B4I1-PSC40D-EP02](#) [BOS 18KF-PA-1LOC-S4-C](#) [BOS 18KF-PA-1TB-S4-C](#) [BOS 5K-PS-IX10-02](#) [BOS 5K-PS-RH12-02](#) [BOS 5K-PS-IX10-S49](#) [BOS 5K-PU-LX10-S75](#) [BUS M18M1-GPXI-02/015-S92G](#) [BUS M30M1-PPX-03/025-S92K](#) [BUS M18M1-XB-02/015-S92G](#) [BUS M18M1-GPXI-07/035-S92G](#) [BES M12MG-PSC80F-S04G](#) [BOS 5K-PS-RD11-S75](#) [BOS 5K-PS-RH12-S49](#) [BES M18MI-PSC80B-BV02](#) [BNN-UR-010-040-12](#) [BOS 18KF-PA-1RE-S4-C](#) [BCS M30B4E1-PSC25H-EP02](#) [BCS M30BBE2-PSC25H-S04K](#) [BES M18EI-PSC80B-S04G](#) [BES 516-347-SA2-03](#) [BES G12EE1-PSY40F-S04G-L02](#) [BOS 18KF-PA-1XA-C-02](#) [BOS 18KF-PA-1PE-S4-C](#) [BOS 5K-PU-LR10-S75](#) [BUS M18M1-XB-12/100-S92G](#) [BUS M30M1-PPX-07/035-S92K](#) [BOS 18KF-PA-1QD-C-02](#) [BOS 5K-PS-RR10-02](#) [BES M08EE-PSC15B-S04G-003](#) [BES M08EH-PSC40F-S49G](#) [BOS 5K-PS-RR10-S49](#) [BCS M18B4G2-PSC15H-S04K](#) [BCS M30B4I1-PSC15D-EP02](#) [BCS M30BBI1-PSC15D-EP02](#) [BCS M12BBG1-PSC80H-EP02](#) [BES 516-324-S49-C 10-30V D](#) [BES 516-357-S4-C](#) [BES 515-326-S4-C](#) [BCS M12B4G2-PSC40D-S04K](#) [BOS 18KF-PA-1LQP-S4-C](#) [BOS 5K-PS-IX10-S75](#)