




## Product information ELST 3308 RV FM 8 05

Industrial Connecting Solutions:Archive - Industrial Connectors:Circular connectors E-series M8 (Archive):with screw locking:Appliance socket and appliance connector for front panel mounting:ELST 3308 RV FM 8 05

<http://www.e-catalog.beldensolutions.com/link/57078-24228-62529-24238-24243-24248-37243/en/conf/ui/state>

<b>Name</b>	ELST 3308 RV FM 8 05
	
	Front-mounting appliance connector with stranded wire, snap or screw locking, M8 x 0.5 mounting thread, metal casing, O-ring included
<b>Delivery informations</b>	
Availability	available until: 31.12.2036
<b>Product description</b>	
Description	Front-mounting appliance connector with stranded wire, snap or screw locking, M8 x 0.5 mounting thread, metal casing, O-ring included
Type	ELST 3308 RV FM 8 05
Order No.	933 146-001
Type of contact	male
Number of contacts	3
Cable material	PVC
Cable length	0.5 m
Conductor size	0.25 mm <sup>2</sup>
Standard	IEC 61076-2-101 (Ed. 1)/ IEC 60947-5-2
Housing Color	metallic
<b>Technical data</b>	
Pin dimensions	1 mm
Wire stranding	14 x 0.15 mm
Rated voltage	AC/DC 60 V
Rated current	3 A
<b>Material</b>	
Contact material	Cu Zn
Contact surface material	Au
Contact bearer material	PA black
Housing material	Cu Zn/Ni
O-Ring	NBR
<b>Environmental conditions</b>	
Protection class (IEC 60529)	IP 67 (with snap locking),
Pollution severity	3
Temperature range	-25 °C to +90 °C
<b>Inflammability class</b>	
Contact bearer	94 V-2
<b>Approvals</b>	
UL	UL
<b>Packing unit</b>	
Packaging unit	100 pieces
<b>Scope of delivery and accessories</b>	
Accessories to order separately	fastening nut ELST M M8, order no. 734 032-001



# HIRSCHMANN

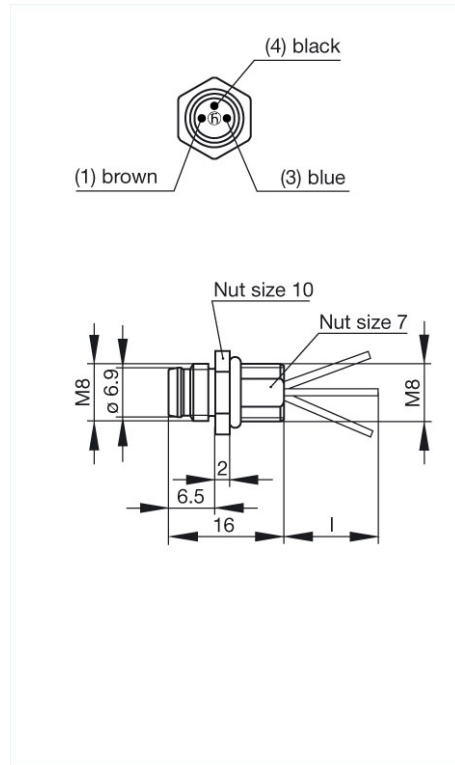
A BELDEN BRAND

Industrial Connecting Solutions:Archive - Industrial Connectors:Circular connectors E-series M8 (Archive);with screw locking:Appliance socket and appliance connector for front panel mounting:ELST 3308 RV FM 8 05

<http://www.e-catalog.beldensolutions.com/link/57078-24228-62529-24238-24243-24248-37243/en/conf/uistate>

Picture

Drawing



**Belden Deutschland GmbH**

Im Gewerbepark 2  
58579 Schalksmühle  
Germany  
Phone: +49 7127/14-1806  
E-Mail: [icos-sales@belden.com](mailto:icos-sales@belden.com)

The information published in the websites has been compiled as carefully as possible. It is subject to alteration without notice in technical as well as in price-related/commercial respect. The complete information and data were available on user documentation. Mandatory information can only be obtained by a concrete query.

## X-ON Electronics

Largest Supplier of Electrical and Electronic Components

*Click to view similar products for [Circular MIL Spec Connector](#) category:*

*Click to view products by [Hirschmann](#) manufacturer:*

Other Similar products are found below :

[89075GULPR](#) [0025-262-542](#) [0025-264-3014](#) [58-570121-04S](#) [0134-213-1208](#) [0134-213-2209](#) [0025-258-000](#) [60-042022-07P](#) [60-042022-19P](#)  
[60-042022-23P](#) [60-042217-10P](#) [0114-201-1278](#) [012-0467-000](#) [602GB06EG24-61SN](#) [0134-201-1207](#) [0134-213-1006](#) [6104-207-2302](#) [6104-](#)  
[208-1902](#) [61-168211-04P](#) [61-168617-10P](#) [6131-202-19149P](#) [6131-204-21149P](#) [6131-208-13149P](#) [6131-209-17149P](#) [6131-210-11149P](#) [6131-](#)  
[211-19149P](#) [6131-216-19149P](#) [6131-259-21149P](#) [6131-259-23149P](#) [6131-265-17149P](#) [6131-265-19149P](#) [CS3100A18-1P-472](#) [CS3100A-36-](#)  
[77P](#) [CS3101A-16-55P](#) [CS3102A-10SL-55P](#) [CS3102A-14S-58P](#) [CS3102A-32-17P](#) [CS3102A32-25S](#) [CS3102C18-4P-472](#)  
[CS3106A10SL3S004](#) [CS3106A-18-73S](#) [CS3108A-14S-52S](#) [CS3108A-28-51S](#) [6162-233-1277](#) [6162-324-1231](#) [M243082296Z](#)  
[M2884010AC1S1](#) [CT0-24-10SC](#) [CT0M20-7PCAU](#) [M28840/17AC1G3](#)