




## Product information ELST 512 PG9 Au

Industrial Connecting Solutions:Archive - Industrial Connectors:Circular Connectors E-series M12 / M12 push-pull (Archive):with screw locking:Appliance connector for front panel - front panel

mounting:ELST 512 PG9 Au

<http://www.e-catalog.beldensolutions.com/link/57078-24228-62529-24256-24257-24276-36846/en/conf/uistate>

Name	ELST 512 PG9 Au
	
	Appliance connector, with wire ends, M16 x 1.5 front mounting thread, screw locking, O-ring included
<b>Delivery informations</b>	
Availability	no longer available
<b>Product description</b>	
Description	Appliance connector, with wire ends, M16 x 1.5 front mounting thread, screw locking, O-ring included
Type	ELST 512 PG9 Au
Order No.	932 878-100
Type of contact	male
Number of contacts	5
Cable material	PVC
Cable length	0.2 m
Conductor size	0.34 mm <sup>2</sup>
Standard	IEC 61076-2-101 (Ed. 1)/ IEC 60947-5-2
Housing Color	metallic
<b>Technical data</b>	
Pin dimensions	1 mm
Wire stranding	7 x 0.25 mm
Rated voltage	AC/DC 50 V
Rated current	4 A
<b>Material</b>	
Contact material	Cu Zn
Contact surface material	Au
Contact bearer material	PA
Housing material	Cu Zn/Ni
O-Ring	NBR
<b>Environmental conditions</b>	
Protection class (IEC 60529)	IP 67
Pollution severity	3
Temperature range	-25 °C to +90 °C
<b>Inflammability class</b>	
Contact bearer	94 V-2
<b>Approvals</b>	
UL	UL
<b>Packaging unit</b>	
Packaging unit	100 pieces
<b>Scope of delivery and accessories</b>	
Accessories to order separately	fastening nut ELST M PG9, order no. 733 877-001



# HIRSCHMANN

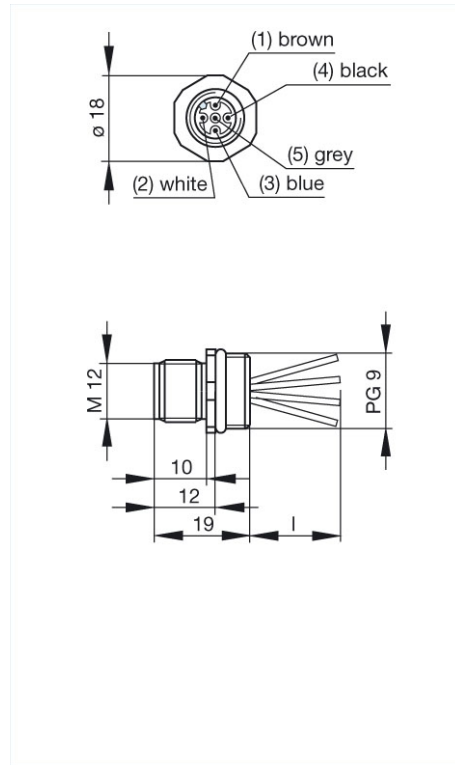
A BELDEN BRAND

Industrial Connecting Solutions:Archive - Industrial Connectors:Circular Connectors E-series M12 / M12 push-pull (Archive):with screw locking:Appliance connector for front panel - front panel mounting:ELST 512 PG9 Au

<http://www.e-catalog.beldensolutions.com/link/57078-24228-62529-24256-24257-24276-36846/en/conf/uistate>

Picture

Drawing



#### Belden Deutschland GmbH

Im Gewerbepark 2  
58579 Schalksmühle  
Germany  
Phone: +49 7127/14-1806  
E-Mail: [icos-sales@belden.com](mailto:icos-sales@belden.com)

The information published in the websites has been compiled as carefully as possible. It is subject to alteration without notice in technical as well as in price-related/commercial respect. The complete information and data were available on user documentation. Mandatory information can only be obtained by a concrete query.

## X-ON Electronics

Largest Supplier of Electrical and Electronic Components

*Click to view similar products for [Standard Circular Connector](#) category:*

*Click to view products by [Hirschmann](#) manufacturer:*

Other Similar products are found below :

[C015](#) [10F006](#) [001](#) [1](#) [5M2530B10P](#) [600247N007](#) [600259N006](#) [6280-2PG-519](#) [6280-3PG-311](#) [6280-3SG-311](#) [6280-7SG-3DC](#) [6280-7SG-522](#)  
[6282-2SG-321](#) [6282-5PG-311](#) [6282-6PG-519](#) [6283-11](#) [6283-15](#) [6290](#) [6293](#) [6382-2PG-311](#) [6382-2SG-321](#) [6382-2SG-3DC](#) [6382-4SG-516](#)  
[67-03E20-37P](#) [680-SMG](#) [681-PMG](#) [CXS3102A14S2P](#) [CXS3102A181S](#) [D38999/20FC8SA L/C](#) [MB12P-1](#) [MB12R-6](#) [7251-2PG-300](#) [7251-](#)  
[2SG-300](#) [7251-4PG-300](#) [7251-4SG-300](#) [7251-5PG-300](#) [7251-5SG-300](#) [7251-6SG-300](#) [7251-7PG-300](#) [7251-8PG-300](#) [7271-6SG-300](#) [7282-](#)  
[3PG-300-CH3](#) [7282-8PG-3ES](#) [73000005663](#) [75-190216-08S](#) [75-190218-10P](#) [75-190614-07S](#) [75-214636-52P](#) [75-474118-10P](#) [75-474211-](#)  
[03P](#) [75-474218-19S](#) [75-474618-01S](#) [75-474620-07P](#)