




## Product information EM12S OCTOPUS

Industrial Ethernet:Waterproof IP67/IP54 Switches:Connecting technology:EM12S OCTOPUS

<http://www.e-catalog.beldensolutions.com/link/57078-24455-49850-24505-39093/en/conf/ui/istate>

Name	EM12S OCTOPUS
	
	Field attachable Industrial ETHERNETM12 connector "D"-coded accordingIEC 61076-2-101.
<b>Delivery informations</b>	
Availability	available
<b>Product description</b>	
Description	Field attachable Industrial ETHERNET M12 connector "D"-coded according IEC 61076-2-101.
Type	EM12S OCTOPUS
Order No.	934 445-001
Type of contact	male
Number of contacts	4
Data rate	10BASE-T, 100BASE-TX
Conductor size	AWG 24 - AWG 22
Cable specification	stranded wire/solid wire
Standard	IEC 61076-2-101
Housing Color	metallic
<b>Technical data</b>	
Rated voltage	AC/DC 250 V
Rated current	4 A (Derating)
Suitable cables	diameter 6.0 mm to 8.0 mm
Type of termination	IDC
Pin dimensions	1 mm
<b>Material</b>	
Contact material	Cu Zn
Contact surface material	Au
Contact bearer material	PA
Housing material	Cu Zn/Ni
Coupling nut material	Zn
O-Ring	Viton
<b>Environmental conditions</b>	
Protection class (IEC 60529)	IP 67
Pollution severity	3
Temperature range	-25 °C to +85 °C
<b>Approvals</b>	
UL	UL in pending
<b>Packing unit</b>	
Packaging unit	10
<b>Scope of delivery and accessories</b>	
Accessories to order separately	switch OCTOPUS 5TX EEC, order no. 943 892-001 media module MM3-4TX5 OCTOPUS, order no. 943 841-001; Bulkhead M12 to RJ45 EF12RJ45 OCTOPUS; order no. 934 498-001 M12 socket EF12M OCTOPUS;



# HIRSCHMANN

A BELDEN BRAND

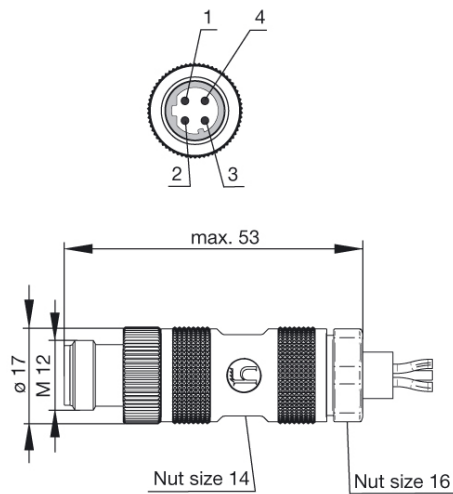
Industrial Ethernet: Waterproof IP67/IP54 Switches: Connecting technology: EM12S OCTOPUS

<http://www.e-catalog.beldensolutions.com/link/57078-24455-49850-24505-39093/en/conf/ui/state>

order no. 934 450-021  
M12 socket EF12L OCTOPUS;  
order no. 934 451-021  
M12 socket EF12LW OCTOPUS;  
order no. 934 451-521

## Picture

### Drawing



For more information please contact:

**Hirschmann Automation and Control GmbH**

Stuttgarter Strasse 45-51

72654 Neckartenzlingen

Germany

Phone: +49 7127/14-1809

E-Mail: [inet-sales@belden.com](mailto:inet-sales@belden.com)

The information published in the websites has been compiled as carefully as possible. It is subject to alteration without notice in technical as well as in price-related/commercial respect. The complete information and data were available on user documentation. Mandatory information can only be obtained by a concrete query.

## X-ON Electronics

Largest Supplier of Electrical and Electronic Components

*Click to view similar products for [Standard Circular Connector](#) category:*

*Click to view products by [Hirschmann](#) manufacturer:*

Other Similar products are found below :

[C015](#) [10F006](#) [001](#) [1](#) [5M2530B10P](#) [600247N007](#) [600259N006](#) [6280-2PG-519](#) [6280-3PG-311](#) [6280-3SG-311](#) [6280-7SG-3DC](#) [6280-7SG-522](#)  
[6282-2SG-321](#) [6282-5PG-311](#) [6282-6PG-519](#) [6283-11](#) [6283-15](#) [6290](#) [6293](#) [6382-2PG-311](#) [6382-2SG-321](#) [6382-2SG-3DC](#) [6382-4SG-516](#)  
[67-03E20-37P](#) [680-SMG](#) [681-PMG](#) [CXS3102A14S2P](#) [CXS3102A181S](#) [D38999/20FC8SA L/C](#) [MB12P-1](#) [MB12R-6](#) [7251-2PG-300](#) [7251-](#)  
[2SG-300](#) [7251-4PG-300](#) [7251-4SG-300](#) [7251-5PG-300](#) [7251-5SG-300](#) [7251-6SG-300](#) [7251-7PG-300](#) [7251-8PG-300](#) [7271-6SG-300](#) [7282-](#)  
[3PG-300-CH3](#) [7282-8PG-3ES](#) [73000005663](#) [75-190216-08S](#) [75-190218-10P](#) [75-190614-07S](#) [75-214636-52P](#) [75-474118-10P](#) [75-474211-](#)  
[03P](#) [75-474218-19S](#) [75-474618-01S](#) [75-474620-07P](#)