


Product information

ASBS 2 M12-4S-90

Industrial Connecting Solutions:Cables and Adapters:T-connectors / adaptors:M8, M12, valve plug - T-connectors/adaptors:M12-M12:T-connector, M12 male connector on two M12 female connectors:ASBS 2 M12-4S-90

<https://e-catalog.hirschmann.com:443/link/57078-24228-256254-57229-218892-219241-219304-219404/en/conf/ui/state>

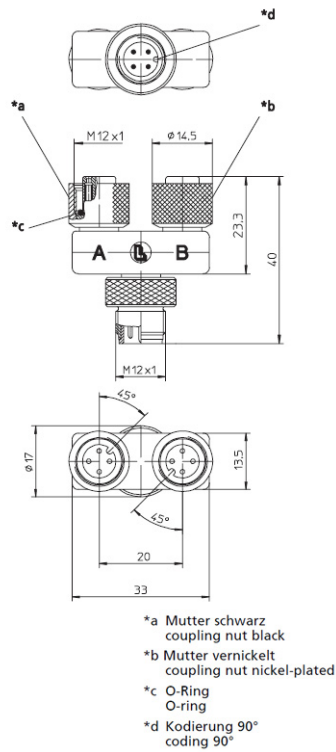
Name	ASBS 2 M12-4S-90
	
	T-connector, M12 male connector with two M12 female connectors, 4 poles, 90°-version, with self locking threaded
Delivery informations	
Availability	available
Product description	
Type	ASBS 2 M12-4S-90
Order No.	11119
Description	T-connector, M12 male connector with two M12 female connectors, 4 poles, 90°-version, with self locking threaded
Number of contacts	4
Color of housing	orange
Product characteristics	Vibration resistance, Oil resistance
Classification	
Belden brand	Lumberg-Automation
Environmental conditions	
Environmental temperature	-25 °C ... 90 °C
Degree of protection (IP), mounted	IP67
Pollution degree	3
Materials	
Housing material / Molded body	TPU, self-extinguishing
Contact bearer material	TPU, self-extinguishing
Contact material	CuZn
Contact material - Surface refinement	pre-nickel and 0.8 microns gold-plated
Knurled screw / nut material	CuZn, nickel-plated
Sealing material	FKM
Electrical data	
Contact resistance	≤ 5 mΩ
Rated current In	2 A per outlet / 4 A max. at 40 °C
Nominal voltage	240 V
Rated voltage	250 V
Test voltage	2.0 kV eff./60 s
Insulation resistance	> 1 GΩ

Industrial Connecting Solutions:Cables and Adapters:T-connectors / adaptors:M8, M12, valve plug - T-connectors/adaptors:M12-M12:T-connector, M12 male connector on two M12 female connectors:ASBS 2 M12-4S-90

<https://e-catalog.hirschmann.com:443/link/57078-24228-256254-57229-218892-219241-219304-219404/en/conf/ui/state>

Picture

Drawing



Belden Deutschland GmbH
Im Gewerbepark 2
58579 Schalksmühle
Germany
Phone: +49 7127/14-1806
E-Mail: icos-sales@belden.com

The information published in the websites has been compiled as carefully as possible. It is subject to alteration without notice in technical as well as in price-related/commercial respect. The complete information and data were available on user documentation. Mandatory information can only be obtained by a concrete query.

X-ON Electronics

Largest Supplier of Electrical and Electronic Components

Click to view similar products for [Lumberg manufacturer](#):

Other Similar products are found below :

[ZMS20](#) [RK20-603/5M](#) [ASBS-R 8/LED 5-4](#) [1503 09](#) [KRE8](#) [SV 60](#) [RK30/2M](#) [ASBS 8 5-4](#) [ASBS-R 4 5-4](#) [ASBS-R 4/LED 5-4](#) [ASBSV 4 5](#)
[ASBSVD 8/LED W 5](#) [KB3](#) [KRES10](#) [KRESS8](#) [KS8](#) [RK 30-738/20F](#) [RKMC 3](#) [RKMV 4-225/10 M](#) [RKT 5-644/2M](#) [RKV](#) [RKWT 4-225/10](#)
[M](#) [RKWT 8-627/2M](#) [1614 16](#) [0981 ENC 100](#) [0985 706 103/10M](#) [RST 4-RKWT 4-602/1M](#) [RST 4-RKT 4-679/2M](#) [RKWT 4-3-224/5 M](#) [RST](#)
[4-633/2M](#) [RST 4-RKT 4-633/2M](#) [RST 4-RKWT 4-602/3M](#) [RS-TU](#) [0986 EMC 102](#) [RKMWV 4-225/2 M](#) [RKWT 5-612/5M](#) [RST 4-RKT 4-](#)
[225/2 M](#) [0985 806 104/1M](#) [0985 YM57530 500/2M](#) [ASBM 6/LED 3-344/5 M](#) [RKT 4-646/2M](#) [RKHL 8/S 5,5](#) [0985 806 103/5M](#) [0985](#)
[YM57530 100/20M](#) [RST 4-RKT 4-637/2M](#) [RSKFM 16](#) [0985 806 100/10M](#) [RST 5-RKT 5-647/5M](#) [RKMC 4](#) [0931 DNC 301](#)