

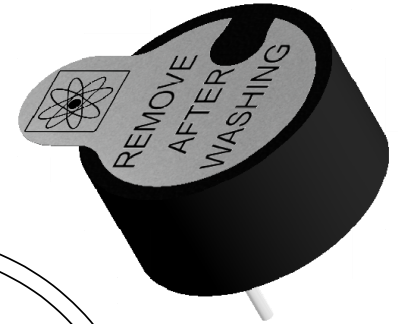
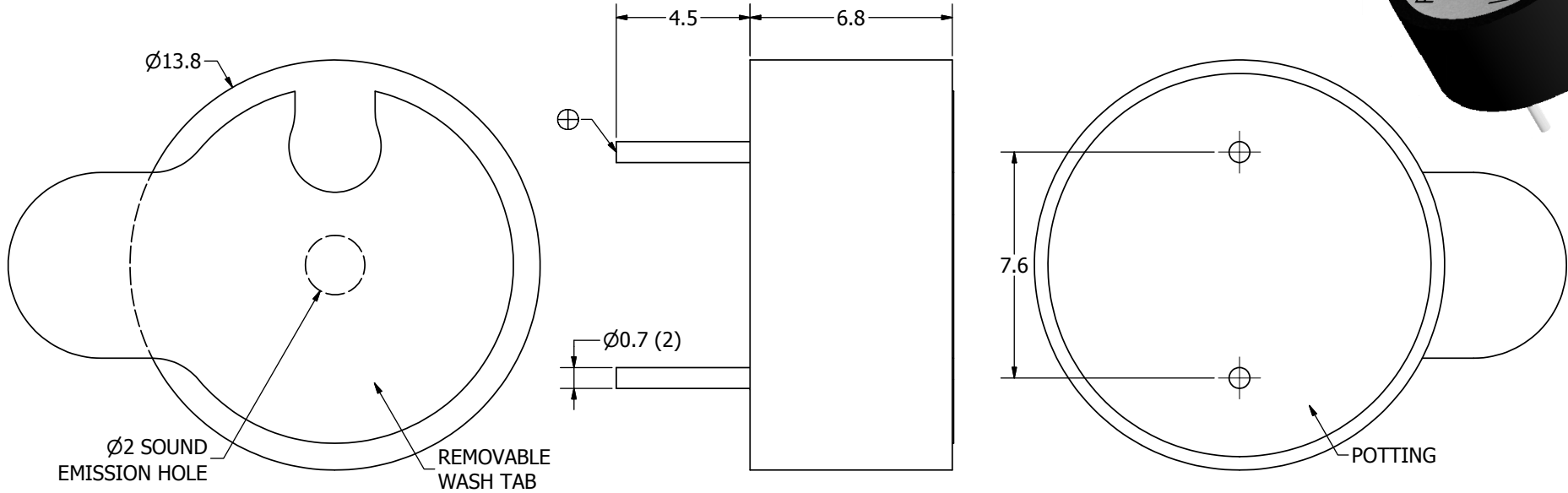
SPECIFICATIONS

PARAMETERS	VALUES	UNITS
RATED VOLTAGE	5	Vp-p
OPERATING VOLTAGE RANGE	1 ~ 20	Vp-p
RATED CURRENT (MAX)	1	mA
CAPACITANCE	13,000 ± 30%	pF
MINIMUM SPL @ 10 CM	80	dBA
RESONANT FREQUENCY	3,800 ± 500	Hz
OPERATING TEMPERATURE	-30 ~ +80	°C
STORAGE TEMPERATURE	-30 ~ +80	°C
HOUSING MATERIAL	NORYL	-
TERMINAL MATERIAL	Sn PLATED RED COPPER	-
WEIGHT	1	grams

THIS DOCUMENT CONTAINS DATA PROPRIETARY TO PROJECTS UNLIMITED, INC. ANY USE OR REPRODUCTION, IN ANY FORM, WITHOUT PRIOR WRITTEN PERMISSION OF PROJECTS UNLIMITED, INC. IS PROHIBITED.
©2003, Projects Unlimited Inc.

REVISION HISTORY

LTR	DESCRIPTION	DATE	APPROVED
-	RELEASED FROM ENGINEERING	8/17/2004	
A	REMOVED LEAD FREE ADDE RoHS NOTE	8/10/2005	
B	REVISED TERMINAL MATERIAL	1/24/2006	B.R.
C	REVISED HOUSING MATERIAL	11/13/2006	B.R.
D	ADDED LABEL & POLARITY MARKING	11/22/2006	B.R.
E	REVISED TO INVENTOR 3-D DRAWING TEMPLATE	4/16/2008	B.R.



NOTES:

- ALL DIMENSIONS ARE IN MILLIMETERS.
- SPECIFICATIONS SUBJECT TO CHANGE OR WITHDRAWL WITHOUT NOTICE.
- THIS PART IS RoHS 2002/95/EC COMPLIANT.

UNLESS OTHERWISE SPECIFIED: DIMENSIONS ARE IN MILLIMETERS, TOLERANCES ARE ±0.5 AND ANGLES ARE ±3°.	SIZE A3	Designed by	Date	Checked by	Date	Approved by	Date	Drawn Date
		R.A.C.	8/17/2004			R.W.	8/17/2004	4/16/2008
AT-1438-TWT-R.idw						AT-1438-TWT-R Transducer (Piezo)		
						Edition	Sheet	
						-	1 / 1	

X-ON Electronics

Largest Supplier of Electrical and Electronic Components

Click to view similar products for [Projects Unlimited](#) manufacturer:

Other Similar products are found below :

[AW-15SBW](#) [AOM-4546L-R](#) [AI-383](#) [AT-1438-TWT-R](#) [AI-4328-P-FP250-R](#) [AI-4329-P-FP28-R](#) [X-4032-TF-LW105-R](#) [X-4035-TFL-LW140-R](#) [POM-5242P-R](#) [AOM-4540L-R](#) [X-2629-TWT-R](#) [AT-2440-TWT-R](#) [AT-1620-TWT-12V-R](#) [SMI-1324-TW-5V-2-R](#) [AST-03032MR-R](#) [POM-1644P-NF-R](#) [AI-550](#) [AOM-6738P-R](#) [AS01308MR-LW10](#) [AST-030C0MR-R](#) [AI-4328-P-C28-2-R](#) [TOM-1545P-R](#) [POM-3044P-R](#) [SMT-0727-S-R](#) [AOM-6738L-R](#) [AT-1220-TWT-5V-R](#) [AOM-4540P-R](#) [ROM-2238P-NF-R](#) [AI-1440-TWT-12V-R](#) [AT-1620-TWT-R](#)