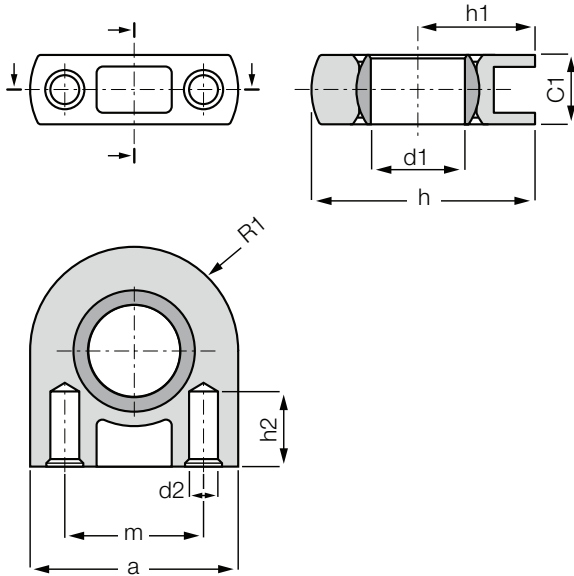


Pillow block bearing Slim line: ESTM SL



Lifetime calculation online
▶ www.igus.eu/igubal-expert

Order key

Type	Size [mm]	Version
------	-----------	---------

E ST M - 05 - SL

Dimensional series E	Pillow block bearing	Metric	Inner Ø	Slim line
----------------------	----------------------	--------	---------	-----------

Material:
Housing: **igumid G** ▶ Page 1496
Spherical ball: **iglidur® J** ▶ Page 141

- Extremely light
- Extremely space saving
- Cost-effective
- Predictable service life
- Maintenance-free, lubrication-free
- With M3 thread, e. g. ESTM-10-SL-M3
- For self tapping screw with outer diameter 3.5 mm
- Dimensional series E according to DIN ISO 12240

Technical data

Part No.	Max. radial tensile strength		Max. radial compressive strength		Max. lateral strength		Max. axial strength		Weight [g]
	Short-term	Long-term	Short-term	Long-term	Short-term	Long-term	Short-term	Long-term	
	[N]	[N]	[N]	[N]	[N]	[N]	[N]	[N]	
ESTM-05-SL	1,500	750	1,400	700	900	450	150	75	1.6
ESTM-06-SL	1,500	750	1,400	700	900	450	150	75	1.7
ESTM-08-SL	1,600	800	1,400	700	950	475	100	50	1.7
ESTM-10-SL	1,600	800	1,400	700	1,000	500	100	50	1.9

Dimensions [mm]

Part No.	d1	d2	h	h1	h2	a	m	C1	R1	Max. pivot angle
ESTM-05-SL	5.0	2.5	18.0	10.0	6.5	16.0	10.0	6.0	8.0	17°
ESTM-06-SL	6.0	2.5	18.0	10.0	6.5	16.0	10.0	6.0	8.0	17°
ESTM-08-SL	8.0	2.5	19.0	10.0	6.5	18.0	12.0	6.0	9.0	17°
ESTM-10-SL	10.0	2.5	20.0	10.0	6.5	20.0	14.0	6.0	10.0	17°

X-ON Electronics

Largest Supplier of Electrical and Electronic Components

Click to view similar products for [Other Tools](#) category:

Click to view products by [Igus](#) manufacturer:

Other Similar products are found below :

[CR-05FL7--150R](#) [CR-05FL7--698K](#) [899-2-KT46](#) [899-5-KT46](#) [CR-0AFL4--332K](#) [CR-12FP4--260R](#) [5718X-01PD-19RO](#)
[CRCW04021100FRT7](#) [CRCW04021961FRT7](#) [5800-0090](#) [CRCW04024021FRT7](#) [CRCW040254R9FRT7](#) [CRCW0603102JRT5](#) [59065-5](#) [00-8273-RDPP](#) [00-8729-WHPP](#) [593033](#) [593058](#) [593072](#) [593564100](#) [593575](#) [593591](#) [593593](#) [LTLA506SBLAMNBL](#) [CRCW08052740FRT1](#)
[LUC-012S070DSM](#) [LUC-018S070DSP](#) [599-2021-3-NME](#) [599-JJ-2021-03](#) [00-5080-YWPP](#) [5E4750/01-20R0-T/R](#) [LW1A-L1-GD](#) [LW1A-L1-GL](#) [LW1A-P1-GD](#) [LW1L-A1C10V-GL](#) [LW1L-M1C70-A](#) [0202-0173](#) [00-9089-RDPP](#) [CRCW2010331JR02](#) [01-1003W-8/32-10](#) [601-GP-08-KT39](#) [601-JJ-06](#) [601-SPB](#) [601YSY](#) [602-JJ-03](#) [602SPB](#) [602Z](#) [603-JJ-07-FP](#) [603-JJY-04](#) [604J](#)