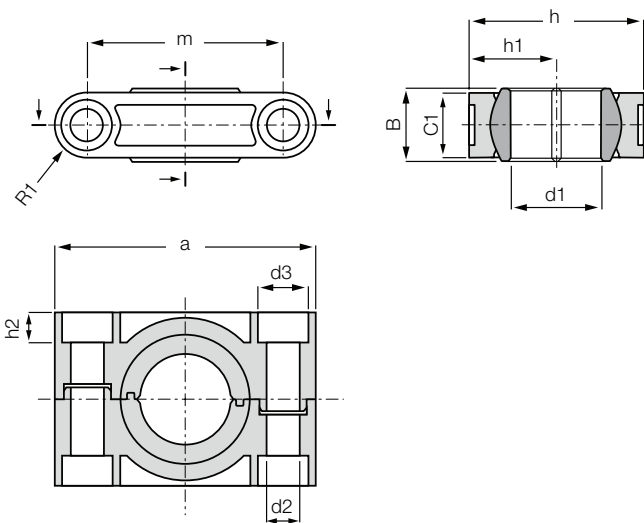


Pillow block bearing with split housing and split ball: ESTM-GT...-GT



Order key

Type	Size [mm]	Version
------	-----------	---------

E S T M - G T 1 6 - G T

Dimensional series E	Pillow block bearing	Metric	Split housing	Inner Ø	Split ball
----------------------	----------------------	--------	---------------	---------	------------

i Material:
Housing: RN33 ► Page 1498
Spherical ball: iglidur® J ► Page 141

- Save time during assembly and disassembly
- Low installation space and low weight
- High stiffness and durability
- Spherical ball material iglidur® J for low moisture absorption
- Ideal for outdoor use
- Dimensional series E according to DIN ISO 12240
- Adapter available ► Accessories, page 781

Technical data

Part No.	Max. static radial load		Max. static radial compressive force		Max. tightening torque fixing holes	Weight [g]
	Short-term	Long-term	Short-term	Long-term		
	[N]	[N]	[N]	[N]		
ESTM-GT16-GT	2,500	1,250	8,500	4,250	4.5	18.0
ESTM-GT20-GT	5,000	2,500	11,000	5,750	4.5	28.0
ESTM-GT25-GT	5,000	2,500	18,500	9,250	10.5	52.0
ESTM-GT30-GT	5,000	2,500	16,500	8,250	10.5	84.0

Dimensions [mm]

Part No.	d1	d2	d3	h	h1	h2	a	m	C1	B	R1	Max. pivot angle
	E10											
ESTM-GT16-GT	16.0	6.6	10.6	34.0	17.0	6.4	50.0	37.0	13.0	13.0	6.5	22°
ESTM-GT20-GT	20.0	9.0	14.0	40.0	20.0	8.6	62.0	46.0	16.0	16.0	8.0	22°
ESTM-GT25-GT	25.0	9.0	14.0	48.0	24.0	8.6	72.0	54.0	18.0	20.0	9.0	22°
ESTM-GT30-GT	30.0	11.0	17.0	56.0	28.0	10.6	86.0	64.0	22.0	22.0	11.0	22°

X-ON Electronics

Largest Supplier of Electrical and Electronic Components

Click to view similar products for [Other Tools](#) category:

Click to view products by [Igus](#) manufacturer:

Other Similar products are found below :

[CR-05FL7--150R](#) [CR-05FL7--698K](#) [899-2-KT46](#) [899-5-KT46](#) [CR-0AFL4--332K](#) [CR-12FP4--260R](#) [5718X-01PD-19RO](#)
[CRCW04021100FRT7](#) [CRCW04021961FRT7](#) [5800-0090](#) [CRCW04024021FRT7](#) [CRCW040254R9FRT7](#) [CRCW0603102JRT5](#) [59065-5](#) [00-8273-RDPP](#) [00-8729-WHPP](#) [593033](#) [593058](#) [593072](#) [593564100](#) [593575](#) [593591](#) [593593](#) [LTLA506SBLAMNBL](#) [CRCW08052740FRT1](#)
[LUC-012S070DSM](#) [LUC-018S070DSP](#) [599-2021-3-NME](#) [599-JJ-2021-03](#) [00-5080-YWPP](#) [5E4750/01-20R0-T/R](#) [LW1A-L1-GD](#) [LW1A-L1-GL](#) [LW1A-P1-GD](#) [LW1L-A1C10V-GL](#) [LW1L-M1C70-A](#) [0202-0173](#) [00-9089-RDPP](#) [CRCW2010331JR02](#) [01-1003W-8/32-10](#) [601-GP-08-KT39](#) [601-JJ-06](#) [601-SPB](#) [601YSY](#) [602-JJ-03](#) [602SPB](#) [602Z](#) [603-JJ-07-FP](#) [603-JJY-04](#) [604J](#)