

ABSOLUTE Digimatic Depth Gage

SERIES 571

FEATURES

- ABSOLUTE Digimatic Depth Gage can keep track of the origin point once set for the entire life of the battery.
- Base and measuring faces are hardened and micro-lapped.
- Optional wider extension base are available. (up to 450mm range models)
- With SPC data output.



SPECIFICATIONS

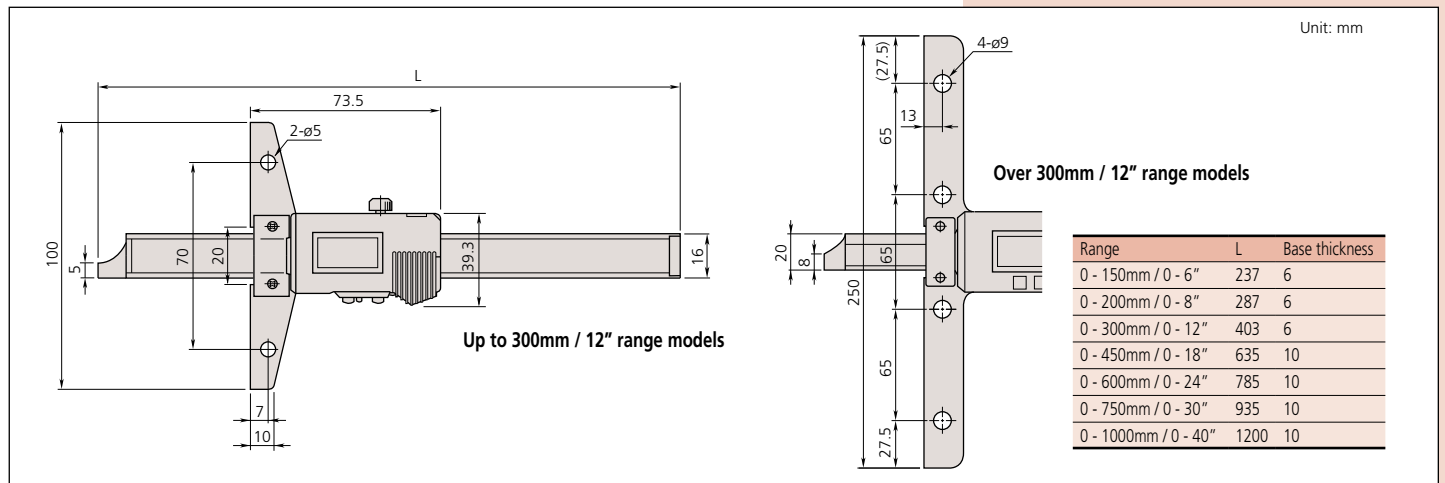
Metric				
Range	Order No.	Resolution	Accuracy	Mass(g)
0 - 150mm	571-201-20	0.01mm	±0.02mm	192
0 - 150mm	571-251*	0.01mm	±0.02mm	199
0 - 200mm	571-202-20	0.01mm	±0.02mm	212
0 - 200mm	571-252*	0.01mm	±0.02mm	219
0 - 300mm	571-203-20	0.01mm	±0.03mm	310
0 - 450mm	571-204-10	0.01mm	±0.05mm	1270
0 - 600mm	571-205-10	0.01mm	±0.05mm	1400
0 - 750mm	571-206-10	0.01mm	±0.06mm	1530
0 - 1000mm	571-207-10	0.01mm	±0.07mm	1760

*IP67 Coolant Proof model

Inch/Metric				
Range	Order No.	Resolution	Accuracy	Mass(g)
0 - 6" / 0 - 150mm	571-211-20	.0005" / 0.01mm	±.001"	192
0 - 6" / 0 - 150mm	571-261*	.0005" / 0.01mm	±.001"	199
0 - 8" / 0 - 200mm	571-212-20	.0005" / 0.01mm	±.001"	212
0 - 8" / 0 - 200mm	571-262*	.0005" / 0.01mm	±.001"	219
0 - 12" / 0 - 300mm	571-213-10	.0005" / 0.01mm	±.0015"	310
0 - 18" / 0 - 450mm	571-214-10	.0005" / 0.01mm	±.002"	1270
0 - 24" / 0 - 600mm	571-215-10	.0005" / 0.01mm	±.002"	1400
0 - 30" / 0 - 750mm	571-216-10	.0005" / 0.01mm	±.0025	1530
0 - 40" / 0 - 1000mm	571-217-10	.0005" / 0.01mm	±.0025	1760

*IP67 Coolant Proof model

DIMENSIONS



Technical Data

Resolution: 0.01mm or .0005"/0.01mm
 Repeatability: 0.01mm
 Display: LCD
 Length standard: ABSOLUTE electrostatic capacitance (electromagnetic induction)* type linear encoder
 Max. response speed: Unlimited
 Battery: SR44 (1 pc.), **938882**
 Battery life: Approx. 20,000 hours (3 years)* under normal use
 Dust/Water protection level: IP67*
 *Coolant Proof models

Function

Origin-set, Zero-setting, Automatic power on/off, Data output, inch/mm conversion (on inch/metric models only)
 Alarm: Low voltage, Counting value composition error

Optional Accessories

- 959143: Data hold unit
- 959149: SPC cable with data switch (40" / 1m)
- 959150: SPC cable with data switch (80" / 2m)
- 05CZA624: SPC cable with data switch (40" / 1m)*
- 05CZA625: SPC cable with data switch (80" / 2m)*
- _____ : Extension base (see page D-55.)

*For Coolant Proof models



Measurement data output function is available with a water-resistant SPC cable.

X-ON Electronics

Largest Supplier of Electrical and Electronic Components

Click to view similar products for [Mitutoyo](#) manufacturer:

Other Similar products are found below :

[530-123](#) [7011SN](#) [148-104](#) [513-404-10E](#) [2109S-10](#) [530-118](#) [530-312](#) [103-129](#) [293-821-30](#) [500-184-30](#) [102-301](#) [530-104](#) [2046SB](#) [530-122](#)
[2046S](#) [575-123](#) [7301](#)