

New Outside Micrometer Ratchet Thimble Micrometer

Catalog No. E4273-101/102



A new generation of micrometer.

The Ratchet Thimble outside micrometer employs a new constant measuring force device* that ensures consistent and reliable measurements – even for users inexperienced in operating a micrometer with only one hand.

* Patented: USA, China, Germany, UK, France
Patent pending: Japan

Mitutoyo

101/102 Series Outside Micrometer Ratchet Thimble Micrometer

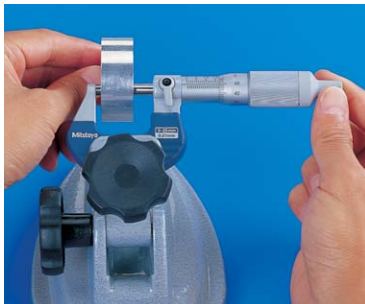
ONE-HANDED

New Style Ratchet Thimble with new mechanism

- Ratchet function works both from the thimble and the speeder, allowing easy one-handed operation.

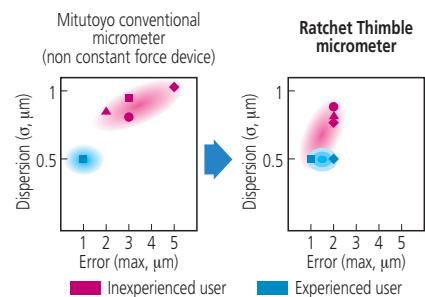


- Speeder is always available for quick rotation of spindle.
- Clearly audible ratchet operation for reassurance that measurement is being performed at constant, preset force.



One-handed Operation

- More accurate in one-handed operation: test results show inexperienced users measure significantly more accurately with the new micrometer.

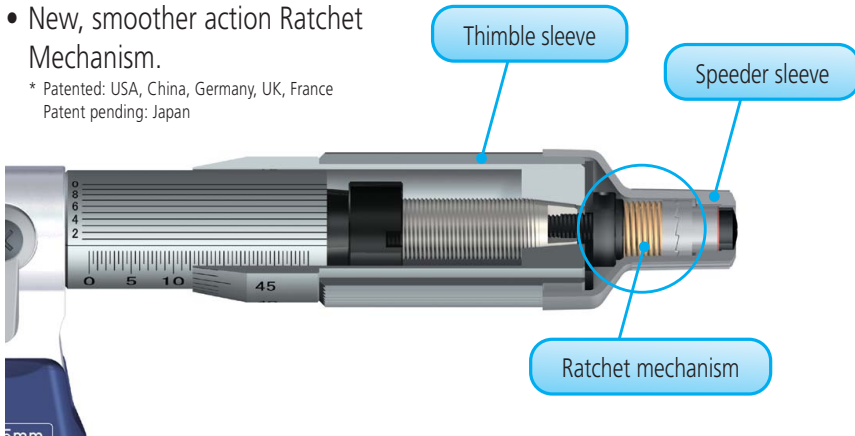


OPERATION



- New, smoother action Ratchet Mechanism.

* Patented: USA, China, Germany, UK, France
Patent pending: Japan



Inspection certificate

- Every ratchet thimble micrometer is provided with a Certificate of Inspection* that shows the result of the quality control inspection conducted at time of shipping.

*This is not a calibration certificate.

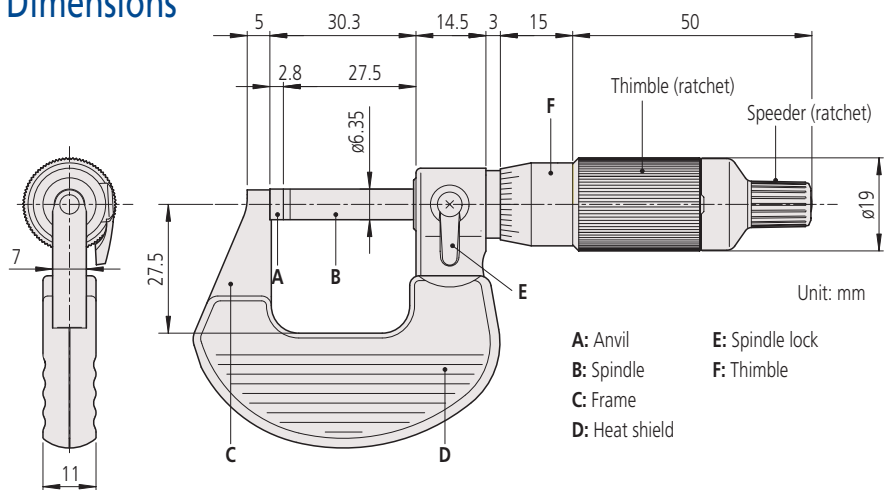


Mitutoyo		Issue No. / 発行No. 04H160B0	
CERTIFICATE OF INSPECTION / 検査成績書			
1. Item / 対象製品		Product name / 製品名	Measuring range / 測定範囲
Model / 型番		M31J-25	0-25mm
Code No. / 検査結果		192-701	Graduation / 分度値
Inspection standard: Mitutoyo standard 1)		Serial No. / 番付	46151680
Performance / 性能		Standard temperature / 標準温度	20 °C
		[μm]	
Flatness of measuring face / 平面度	Anvil / アンデル	Permissible value / 許容値	Measured value / 実測値
Spindle / スピンドル	Spindle / スピンドル	0.6	0
Parallelism of measuring faces / 平行度		0.6	0
		2	1.0
		[μm]	
Measuring length / 測定長 (mm)	Permissible value / 許容値	Instrumental error / 器差	Uncertainty of measurement / 測定の不確かさ
0.0	± 2	0	U = 1.1 [k=2]
7.7		-1	
12.9		-1	
17.8		-2	
22.9		0	
25.0	-1		
1) Based on : JISB7502(1994), ISO3611(1978)			
Traceable to : NMI/AIST by JCSS No.0030,MIST via No.821/268634-03, No.821/262688-00 & 821/262133-99			
PTB via No.3783,PTB02, No.4340F1B03			
3. Judgment / 総合判定		Passed / 合格	
4. QC Manager		E. Otuka / 部長	
Mitutoyo Corporation			

Inspection certificate

- Measuring range: 0 - 25mm (0 - 1")
- Graduation: 0.01mm, 0.001mm, (.001", .0001")
- Instrument error: ±2μm
- Flatness of measuring faces: 0.6μm
- Parallelism of measuring faces: 2μm
- Measuring force: 5N - 10N

Dimensions



No. 101-711
0 - 1" / .001"



No. 101-717
0 - 1" / .0001"



No. 102-701
0-25mm / 0.01mm



No. 102-707
0-25mm / 0.001mm



No. 102-711
0 - 1" / .001"



No. 102-717
0 - 1" / .0001"



Coordinate Measuring Machines	
Vision Measuring Systems	
Surface, Form and Contour Measurement	
Optical Measuring	
Sensor Systems	
Hardness Measuring	
Digital Scale and DRO Systems	
Small Tool Instruments and Data Management	

Mitutoyo Scandinavia AB

Släntv. 6 • Box 712
SE-194 27 Upplands Väsby
Tel: 08-594 109 50
Fax: 08-590 924 10
info@mitutoyo.se
www.mitutoyo.se

Note: All information regarding our products, and in particular the illustrations, drawings, dimensional and performance data contained in this pamphlet, as well as other technical data are to be regarded as approximate average values. We therefore reserve the right to make changes to the corresponding designs, dimensions and weights. The stated standards, similar technical regulations, descriptions and illustrations of the products were valid at the time of printing. In addition, the latest applicable version of our General Trading Conditions will apply. Only quotations submitted by ourselves may be regarded as definitive.

Mitutoyo

X-ON Electronics

Largest Supplier of Electrical and Electronic Components

Click to view similar products for [Mitutoyo](#) manufacturer:

Other Similar products are found below :

[530-123](#) [7011SN](#) [148-104](#) [513-404-10E](#) [2109S-10](#) [530-118](#) [530-312](#) [103-129](#) [293-821-30](#) [500-184-30](#) [102-301](#) [530-104](#) [2046SB](#) [530-122](#)
[2046S](#) [575-123](#) [7301](#)