

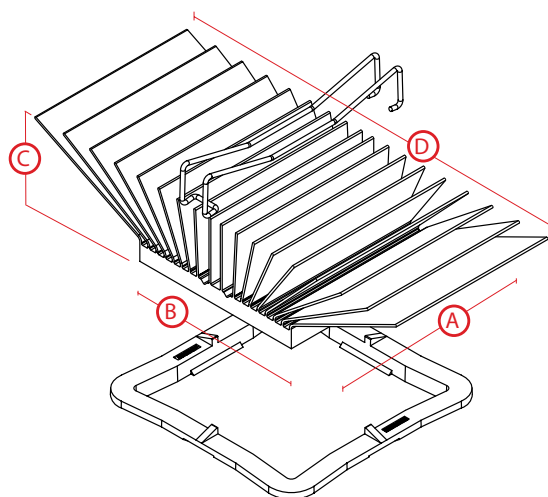


Ultra High Performance BGA Cooling Solutions w/ maxiGRIP™ Attachment

ATS PART # ATS-50210G-C2-R0

Features & Benefits

- » maxiFLOW™ design features a low profile, spread fin array that maximizes surface area for more effective convection (air) cooling
- » maxiGRIP™ attachment applies steady, even pressure to the component and does not require holes in the PCB
- » Meets Telcordia GR-63-Core Office Vibration; ETSI 300 019 Transportation Vibration; and MIL-STD-810 Shock and Unpackaged Drop Testing standards
- » Comes preassembled with high performance, phase changing, thermal interface material
- » Designed for standard height components from 3 to 4.5mm



*Image above is for illustration purposes only.

Thermal Performance

AIR VELOCITY		THERMAL RESISTANCE	
FT/MIN	M/S	°C/W (UNDUCTED FLOW)	°C/W (DUCTED FLOW)
200	1.0	7.2	5.7
300	1.5	5.9	
400	2.0	5.1	
500	2.5	4.6	
600	3.0	4.2	
700	3.5	3.9	
800	4.0	3.7	

Product Details

DIMENSION A	DIMENSION B	DIMENSION C	DIMENSION D	INTERFACE MATERIAL	FINISH
21 mm	21 mm	12.5 mm	38.2 mm	SAINT-GOBAIN C1100F	BLUE-ANODIZED

NOTES:

- 1) Dimension C = heat sink height from bottom of the base to the top of the fin field.
- 2) ATS-50210G-C1-R0 is a substitute item available utilizing an equivalent phase change material (Chomerics T766).
- 3) Thermal performance data are provided for reference only. Actual performance may vary by application.
- 4) ATS reserves the right to update or change its products without notice to improve the design or performance.
- 5) Optional maxiGRIP™ Installation/Removal Tool Set P/N: MGT210
- 6) Contact ATS to learn about custom options available.



ATS ADVANCED THERMAL SOLUTIONS, INC.
Innovations in Thermal Management®

For more information, to find a distributor or to place an order, visit www.qats.com or call: 781.769.2800 (North America); +31 (0) 3569 84715 (Europe).

X-ON Electronics

Largest Supplier of Electrical and Electronic Components

Click to view similar products for [Advanced Thermal Solutions](#) manufacturer:

Other Similar products are found below :

[MGT350](#) [ATS-HP-D6L250S43W-131](#) [ATS-EXL108-1220-R0](#) [ATS-EXL73-1220-R0](#) [ATS-61310D-C1-R0](#) [MGT270](#) [MGT310](#) [ATS-54150K-C1-R0](#) [ATS-EXL72-1220-R0](#) [ATS-EXL64-1220-R0](#) [ATS-X50425G-C1-R0](#) [ATS-54250R-C1-R0](#) [ATS-TMDK-96](#) [ATS-EXL2-254-R0](#) [MGT290](#) [ATS-52400B-C1-R0](#) [ATS-58000-C1-R0](#) [ATS-EXL101-1220-R0](#) [ATS-EXL71-1220-R0](#) [ATS-EXL60-1220-R0](#) [ATS-1039-C3-R0](#) [ATS-EXL68-1220-R0](#) [MGT450](#) [ATS-CP-1003](#) [ATS-EXL110-1220-R0](#) [ATS-EXL62-1220-R0](#) [ATS-EXL58-1220-R0](#) [ATS-EXL99-1220-R0](#) [MGT400](#) [ATS015015007-PF-4F](#) [ATS-55150K-C1-R0](#) [ATS-EXL100-1220-R0](#) [ATS-EXL109-1220-R0](#) [MGT425](#) [ATS-1038-C1-R0](#) [ATS-EXL65-1220-R0](#) [ATS-EXL74-1220-R0](#) [ATS-EXL77-1220-R0](#) [ATS-UC-QFLOW-100](#) [ATS-52425P-C1-R0](#) [ATSEU-077D-C1-R0](#) [ATS-HP-D4L200S25W-118](#) [ATS-HP-F4L150S18W-187](#) [ATS-EXL1-1220-R0](#) [ATS-EXL61-1220-R0](#) [ATS-EXL104-1220-R0](#) [ATS-EXL102-1220-R0](#) [ATS-EXL105-1220-R0](#) [ATS-EXL66-1220-R0](#) [ATS-EXL59-1220-R0](#)