

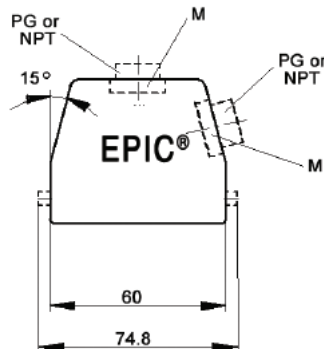
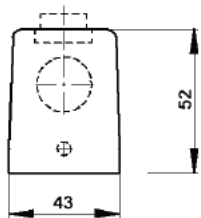
EPIC® Rectangular Connectors



HBE 6 Housings: Single Lever on Base

HOODS

TOP ENTRY



SIDE ENTRY



All dimensions are in mm.

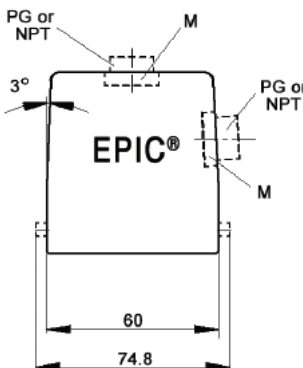
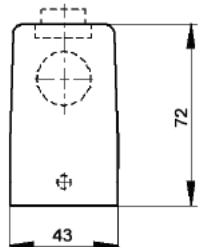
Specifications: DIN 43652
Temperature Range: -40°C to +125°C
Protection class: NEMA 4, NEMA 12, IP65
Material: Aluminum alloy, powder coated

| Position of Cable Entry | Size of Entry | | | Part Numbers | | | Complete your installation with a SKINTOP®, Pg 352 | | | |
|-------------------------|---------------|------|--------|--------------|----------|----------|----------------------------------------------------|-----------|---------------|---------------|
| | PG | NPT | Metric | PG | NPT | Metric | PG- Nylon | PG- Metal | Metric- Nylon | Metric- Metal |
| Top Entry | 13.5 | 1/2" | 20 | 10011000 | 100110NP | 19011000 | 53015130 | 52015700 | 53111020 | 53112020 |
| | 16 | 1/2" | 25 | 10021000 | 100210NP | 19021000 | 53015140 | 52015740 | 53111030 | 53112030 |
| Side Entry | 13.5 | 1/2" | 20 | 10012000 | 100120NP | 19012000 | 53015130 | 52015700 | 53111020 | 53112020 |
| | 16 | 1/2" | 25 | 10022000 | 100220NP | 19022000 | 53015140 | 52015740 | 53111030 | 53112030 |

Top Entry metric hoods do not come with a neck.

HIGH PROFILE HOODS

TOP ENTRY



SIDE ENTRY



All dimensions are in mm.

Specifications: DIN 43652
Temperature Range: -40°C to +125°C
Protection class: NEMA 4, NEMA 12, IP65
Material: Aluminum alloy, powder coated

| Position of Cable Entry | Size of Entry | | | Part Numbers | | | Complete your installation with a SKINTOP®, Pg 352 | | | |
|-------------------------|---------------|------|--------|--------------|----------|----------|----------------------------------------------------|-----------|---------------|---------------|
| | PG | NPT | Metric | PG | NPT | Metric | PG- Nylon | PG- Metal | Metric- Nylon | Metric- Metal |
| Top Entry | 21 | 3/4" | 25 | 70020200 | 700202NP | 79020200 | 53015150 | 52015750 | 53111030 | 53112030 |
| | 29 | 1" | 32 | 70020400 | 700204NP | 79020400 | 53015160 | 52015760 | 53111040 | 53112040 |
| Side Entry | 21 | 3/4" | 25 | 70022200 | 700222NP | 79022200 | 53015150 | 52015750 | 53111030 | 53112030 |
| | 29 | 1" | 32 | 70022400 | 700224NP | 79022400 | 53015160 | 52015760 | 53111040 | 53112040 |

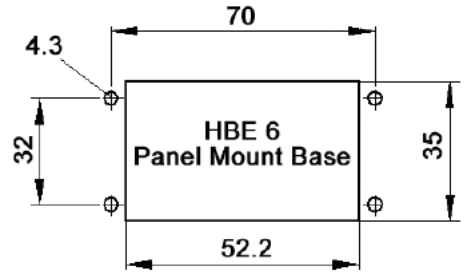
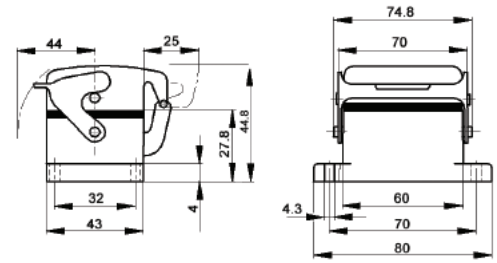
High Profile Metric hoods do not come with a neck.

EPIC® Rectangular Connectors



HBE 6 Housings: Single Lever on Base

PANEL MOUNT BASES

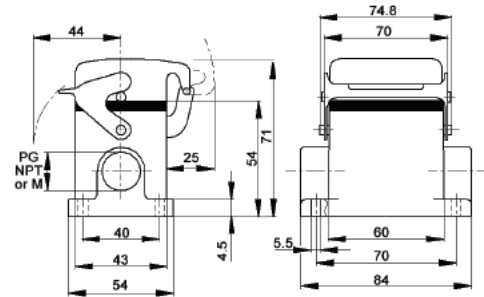
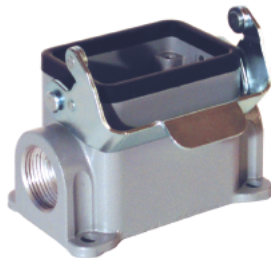


All dimensions are in mm.

Specifications: DIN 43652
Temperature Range: -40°C to +125°C
Protection class: NEMA 4, NEMA 12, IP65
Material: Aluminum alloy, powder coated

| Description | Part Numbers |
|--------------------------------|--------------|
| Panel Mount without Dust Cover | 100030C0 |
| Panel Mount with Dust Cover | 100040C0 |

SURFACE MOUNT BASES



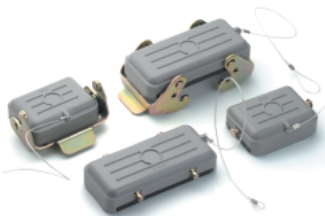
Specifications: DIN 43652
Temperature Range: -40°C to +125°C

All dimensions are in mm.

Protection class: NEMA 4, NEMA 12, IP65
Material: Aluminum alloy, powder coated

| # of Entries | Size of Entry | | | Part Numbers | | | Complete your installation with a SKINTOP®, Pg 352 | | | |
|---------------------------|---------------|------|--------|--------------|----------|----------|----------------------------------------------------|-----------|---------------|---------------|
| | PG | NPT | Metric | PG | NPT | Metric | PG- Nylon | PG-Metric | Metric- Nylon | Metric- Metal |
| 2 Entries | 16 | 1/2" | 20 | 100060C0 | 100060NP | 19006000 | 53015140 | 52015740 | 53111020 | 53112020 |
| 1 Entry | 16 | 1/2" | 20 | 100050C0 | 100050NP | 19005000 | 53015140 | 52015740 | 53111020 | 53112020 |
| | - | - | 25 | - | - | 79005600 | - | - | 53111030 | 53112030 |
| 2 Entries with dust cover | 16 | 1/2" | 20 | 100090C0 | 100090NP | 19009000 | 53015140 | 52015740 | 53111020 | 53112020 |
| | - | - | 25 | - | - | 79016600 | - | - | 53111030 | 53112030 |
| 1 Entry with dust cover | 16 | 1/2" | 20 | 100070C0 | 100070NP | 19007000 | 53015140 | 52015740 | 53111020 | 53112020 |
| | - | - | 25 | - | - | 79015600 | - | - | 53111030 | 53112030 |

DUST COVERS WITH ATTACHMENT STRING



Material: Thermoplastic Resin

Temperature: -40°C to 125°C

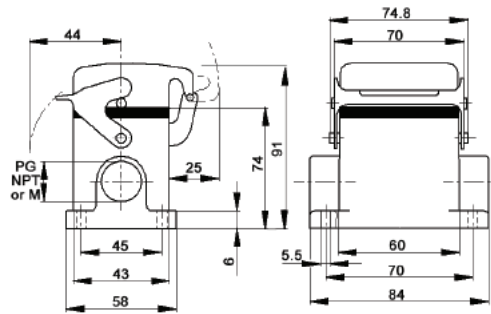
| | Part # |
|----------------------------------------------------------------------------------------------------|----------|
| Dust cover with single lever and gasket for HBE 6 Hoods | 10016500 |
| Dust cover with single lever bolts for HBE 6 Panel Mount or Surface Mount Base/ Cable Coupler Hood | 10015000 |

EPIC® Rectangular Connectors



HBE 6 Housings: Single Lever on Base

HIGH PROFILE SURFACE MOUNT BASES



All dimensions are in mm.

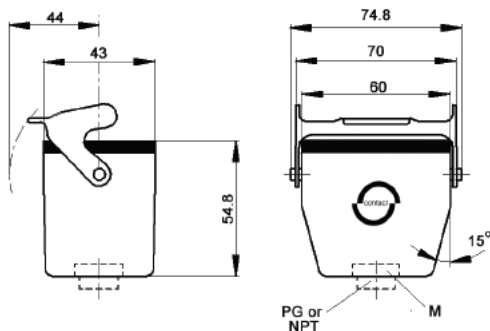
Specifications: DIN 43652
Temperature Range: -40°C to +125°C

Protection class: NEMA 4, NEMA 12, IP65
Material: Aluminum alloy, powder coated

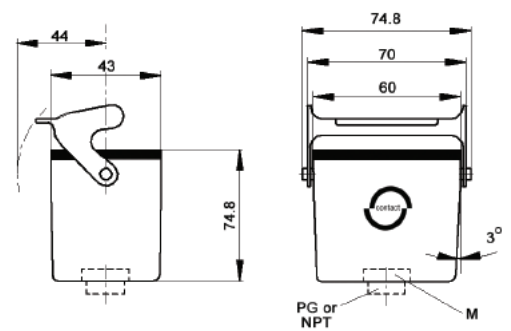
| # of Entries | Size of Entry | | | Part Numbers | | | Complete your installation with a SKINTOP®, Pg 352 | | | |
|----------------------------------|---------------|------|--------|--------------|----------|----------|----------------------------------------------------|------------|---------------|---------------|
| | PG | NPT | Metric | PG | NPT | Metric | PG- Nylon | PG- Metric | Metric- Nylon | Metric- Metal |
| 2 Entries | 21 | 3/4" | 25 | 70006200 | 700062NP | 79006200 | 53015150 | 52015750 | 53111030 | 53112030 |
| | 29 | 1" | 32 | 70006400 | 700064NP | 79006400 | 53015160 | 52015760 | 53111040 | 53112040 |
| 1 Entry | 21 | 3/4" | 25 | 70005200 | 700052NP | 79005200 | 53015150 | 52015750 | 53111030 | 53112030 |
| | 29 | 1" | 32 | 70005400 | 700054NP | 79005400 | 53015160 | 52015760 | 53111040 | 53112040 |
| 2 Entries with dust cover | 21 | 3/4" | 25 | 70016200 | 700162NP | 79016200 | 53015150 | 52015750 | 53111030 | 53112030 |
| | 29 | 1" | 32 | 700164C0 | 700164NP | 79016400 | 53015160 | 52015760 | 53111040 | 53112040 |
| 1 Entry with dust cover | 21 | 3/4" | 25 | 70015200 | 700152NP | 79015200 | 53015150 | 52015750 | 53111030 | 53112030 |
| | 29 | 1" | 32 | 70015400 | 700154NP | 79015400 | 53015160 | 52015760 | 53111040 | 53112040 |

CABLE COUPLER HOODS

STANDARD PROFILE



HIGH PROFILE



Specifications: DIN 43652
Temperature Range: -40°C to +125°C

Protection class: NEMA 4, NEMA 12, IP65
Material: Aluminum alloy, powder coated

| Profile | Size of Entry | | | Part Numbers | | | Complete your installation with a SKINTOP®, Pg 352 | | | |
|-------------------------|---------------|------|--------|--------------|----------|----------|----------------------------------------------------|-----------|---------------|---------------|
| | PG | NPT | Metric | PG | NPT | Metric | PG- Nylon | PG- Metal | Metric- Nylon | Metric- Metal |
| Standard Profile | 21 | 3/4" | 25 | 100140C0 | 100140NP | 19014000 | 53015150 | 52015750 | 53111030 | 53112030 |
| | 29 | 1" | 32 | 100240C0 | 100240NP | 19024000 | 53015160 | 52015760 | 53111040 | 53112040 |
| High Profile | 21 | 3/4" | 25 | 70010200 | 700102NP | 79010200 | 53015150 | 52015750 | 53111030 | 53112030 |
| | 29 | 1" | 32 | 70010400 | 700104NP | 79010400 | 53015160 | 52015760 | 53111040 | 53112040 |

Cable coupler metric hoods do not come with a neck.

X-ON Electronics

Largest Supplier of Electrical and Electronic Components

Click to view similar products for Epic manufacturer:

Other Similar products are found below :

[44420040 + 73002716](#) [8701+50101200](#) [19426500](#) [10.0340+10.1930+12.9544](#) [10.0720+10.1710](#) [10.1130+12.9545](#) [76123100](#) [HA4-FK-TE-CH-M-M20](#) [44420040 + 73028500](#) [11161000](#) [11.1610](#) [10.4295](#) [44423220](#) [44423224](#) [10.0720](#) [10.1960](#) [44420040 + 73002720](#) [44420037 + 73002720](#) [72004000 + 73002756](#) [72004000 + 73018000](#) [72004000 + 73028500](#) [73004610](#) [10.4235](#) [10.4320](#) [10.4225](#) [9198+00022030](#) [8702+50101200](#) [10.4265+10.4295+10.4310+10.4320](#) [44423216](#) [44423217](#) [72004000 + 73002740](#) [24420055 + 73002720](#) [10.4265+10.4235+10.4200+10.4210](#) [10.4265+10.4245+10.4200+10.4210](#) [74020000](#) [8923+00022030](#) [10.1970](#) [10.4275+10.4235+10.4310+10.4320](#) [10.4401](#) [10.1950](#) [10.4210](#) [10121000+10196000+12954500](#) [10102000](#) [10.4265+10.4245+10.4310+10.4320](#) [10.4265](#) [44423251](#) [72004000 + 73002716](#) [72040010](#) [8722+00022030](#) [10.4264](#)