



ELECTRONICS, INC.  
 44 FARRAND STREET  
 BLOOMFIELD, NJ 07003  
 (973) 748-5089  
<http://www.nteinc.com>

## NTE74176 Integrated Circuit TTL – 35Mhz Presetable Decade Counter/Latch

**Description:**

The NTE74176 is a high-speed monolithic counter in a 14-Lead plastic DIP type package consisting of four DC coupled master-slave flip-flops which are internally interconnected to provide a divide-by-two and a divide-by-five counter. This device is fully programmable; that is, the outputs may be preset to any state by placing a low on the count/load input and entering the desired data at the data inputs. The outputs will change to agree with the data inputs independent of the state of the clocks.

The NTE74176 may also be used as a 4-bit latch by using the count/load input as the strobe and entering data at the data inputs. The outputs will directly follow the data inputs when the count/load is low, but will remain unchanged when the count/load is high and the clock inputs are active.

This high-speed counter will accept count frequencies of 0 to 35Mhz at the clock-1 input and 0 to 17.5Mhz at the clock-2 input. During the count operation, transfer of information to the outputs occurs on the negative-going edge of the clock pulse. The counter features a direct clear which, when taken low, sets all outputs low regardless of the state of the clocks.

All inputs are diode-clamped to minimize transmission-line effects and simplify system design. The circuit is compatible with most TTL logic families and typical power dissipation is 150mW.

**Features:**

- Reduced Power Version of the NTE74196 50Mhz Counter
- Performs BCD, Bi-Quinary, or Binary Counting
- Fully Programmable
- Fully Independent Clear Input
- Guaranteed to Count at Input Frequencies from 0 to 35Mhz
- Input Clamping Diodes Simplify System Design

**Absolute Maximum Ratings:** (Note 1)

Supply Voltage, $V_{CC}$ .....	7V
Input Voltage, $V_{IN}$ .....	5.5V
Interemitter Voltage (Note 2) .....	5.5V
Operating Temperature Range, $T_A$ .....	0°C to +70°C
Storage Temperature Range, $T_{stg}$ .....	-65°C to +150°C

Note 1. Voltage values are with respect to network ground terminal.

Note 2. This is the voltage between two emitters of a multiple-emitter transistor. For this circuit, this rating applies between the clear and count/load inputs.

### Recommended Operating Conditions:

Parameter	Symbol	Min	Typ	Max	Unit
Supply Voltage	$V_{CC}$	4.75	5.0	5.25	V
High-Level Output Current	$I_{OH}$	-	-	-800	$\mu A$
Low-Level Input Voltage	$V_{OL}$	-	-	0.8	V
Count Frequency Clock-1 Input	$f_{max}$	0	-	35	MHz
Clock-2 Input		0	-	17.5	MHz
Pulse Width Clock-1 Input	$t_w$	14	-	-	ns
Clock-2 Input		28	-	-	ns
$\overline{Clear}$		20	-	-	ns
Load		25	-	-	ns
Input Hold Time High-Level Data	$t_h$	$t_{w(load)}$	-	-	ns
Low-Level Data		$t_{w(load)}$	-	-	ns
Input Setup Time High-Level Data	$t_{su}$	15	-	-	ns
Low-Level Data		20	-	-	ns
Count Enable Time (Note 3)	$t_{enable}$	25	-	-	ns
Operating Temperature Range	$T_A$	0	-	+70	$^{\circ}C$

Note 3. Minimum count enable time is the interval immediately preceding the negative-going edge of the clock pulse during which interval the count/load and clear inputs must both be high to ensure counting.

### Electrical Characteristics: (Note 4, Note 5)

Parameter	Symbol	Test Conditions	Min	Typ	Max	Unit
High-Level Input Voltage	$V_{IH}$		2	-	-	V
Low-Level Input Voltage	$V_{IL}$		-	-	0.8	V
Input Clamp Voltage	$V_{IK}$	$V_{CC} = MIN, I_I = -12mA$	-	-	-1.5	V
High-Level Output Voltage	$V_{OH}$	$V_{CC} = MIN, V_{IH} = 2V, V_{IL} = 0.8V, I_{OH} = -800\mu A$	2.4	3.4	-	V
Low-Level Output Voltage	$V_{OL}$	$V_{CC} = MIN, V_{IH} = 2V, V_{IL} = 0.8V, I_{OL} = 16mA, \text{Note 6}$	-	0.2	0.4	V
Input Current	$I_I$	$V_{CC} = MAX, V_I = 5.5V$	-	-	1	mA
High-Level Input Current Data, Count/Load	$I_{IH}$	$V_{CC} = MAX, V_I = 2.4V$	-	-	40	$\mu A$
$\overline{Clear}$ , Clock 1			-	-	80	$\mu A$
Clock 2			-	-	120	$\mu A$

Note 4. For conditions shown as MIN or MAX, use the appropriate value specified under "Recommended Operation Conditions".

Note 5. All typical values are at  $V_{CC} = 5V, T_A = +25^{\circ}C$ .

Note 6.  $Q_A$  outputs are tested at  $I_{OLn} = 16mA$  plus the limit value of  $I_{IL}$  for the clock-2 input. This permits driving the clock-2 while fanning out to 10 Series 74 loads.

**Electrical Characteristics (Cont'd):** (Note 4, Note 5)

Parameter	Symbol	Test Conditions	Min	Typ	Max	Unit
Low Level Input Current Data, Count/Load	$I_{IL}$	$V_{CC} = \text{MAX}, V_I = 0.4V$	-	-	-1.6	mA
Clear			-	-	-3.2	mA
Clock 1			-	-	-4.8	mA
Clock 2			-	-	-4.8	mA
Short-Circuit Output Current	$I_{CS}$	$V_{CC} = \text{MAX}, \text{Note 7}$	-18	-	-57	mA
Supply Current	$I_{CC}$	$V_{CC} = \text{MAX}, \text{Note 8}$	-	30	48	mA

Note 4. For conditions shown as MIN or MAX, use the appropriate value specified under "Recommended Operation Conditions".

Note 5. All typical values are at  $V_{CC} = 5V, T_A = +25^\circ C$ .

Note 7. Not more than one output should be shorted at a time.

Note 8.  $I_{CC}$  is measured with all inputs grounded and all outputs open.

**Switching Characteristics:** ( $V_{CC} = 5V, T_A = +25^\circ C$  unless otherwise specified)

Parameter	Symbol	Test Conditions	Min	Typ	Max	Unit
Maximum Count Frequency (From Clock 1 Input to $Q_A$ Output)	$f_{max}$	$R_L = 400\Omega, C_L = 15pF$	35	50	-	MHz
Propagation Delay Time (From Clock 1 Input to $Q_A$ Output)	$t_{PLH}$		-	8	13	ns
	$t_{PHL}$		-	11	17	ns
Propagation Delay Time (From Clock 2 Input to $Q_B$ Output)	$t_{PLH}$		-	11	17	ns
	$t_{PHL}$		-	17	26	ns
Propagation Delay Time (From Clock 2 Input to $Q_C$ Output)	$t_{PLH}$		-	27	41	ns
	$t_{PHL}$		-	34	51	ns
Propagation Delay Time (From Clock 2 Input to $Q_D$ Output)	$t_{PLH}$		-	13	20	ns
	$t_{PHL}$		-	17	26	ns
Propagation Delay Time (From A, B, C, D Input to $Q_A, Q_B, Q_C, Q_D$ Output)	$t_{PLH}$		-	19	29	ns
	$t_{PHL}$		-	31	46	ns
Propagation Delay Time (From Load Input to Any Output)	$t_{PLH}$		-	29	43	ns
	$t_{PHL}$		-	32	48	ns
Propagation Delay Time (From Clear Input to Any Output)	$t_{PHL}$		-	32	48	ns

**Typical Count Configurations:**

The output of flip-flop A is not internally connected to the succeeding flip-flops; therefore, the count may be operated in three independent modes:

1. When used as a binary-coded-decimal decade counter, the clock-2 input must be externally connected to the  $Q_A$  output. The clock-1 input receives the incoming count, and a count sequence is obtained in accordance with the BCD count sequence function table.
2. If a symmetrical divide-by-ten count is desired for frequency synthesizers (or other applications requiring division of a binary count by a power of ten), the  $Q_D$  output must be externally connected to the clock-1 input. The input count is then applied at the clock-2 input and a divide-by-ten square wave is obtained at output  $Q_A$  in accordance with the bi-quinary function table.
3. For operation as a divide-by-two counter and a divide-by-five counter, no external interconnections are required. Flip-flop A is used as a binary element for the divide-by-two function. The clock-2 input is used to obtain binary divide-by-five operation at the  $Q_B, Q_C,$  and  $Q_D$  outputs. In this mode, the two counters operate independently; however, all four flip-flops are loaded and cleared simultaneously.

### Function Tables:

#### Decade (BCD)

Count	Outputs			
	Q <sub>D</sub>	Q <sub>C</sub>	Q <sub>B</sub>	Q <sub>A</sub>
0	L	L	L	L
1	L	L	L	H
2	L	L	H	L
3	L	L	H	H
4	L	H	L	L
5	L	H	L	H
6	L	H	H	L
7	L	H	H	H
8	H	L	L	L
9	H	L	L	H

H = High Level, L = Low Level

NOTE: Output Q<sub>A</sub> connected to clock-2 input.

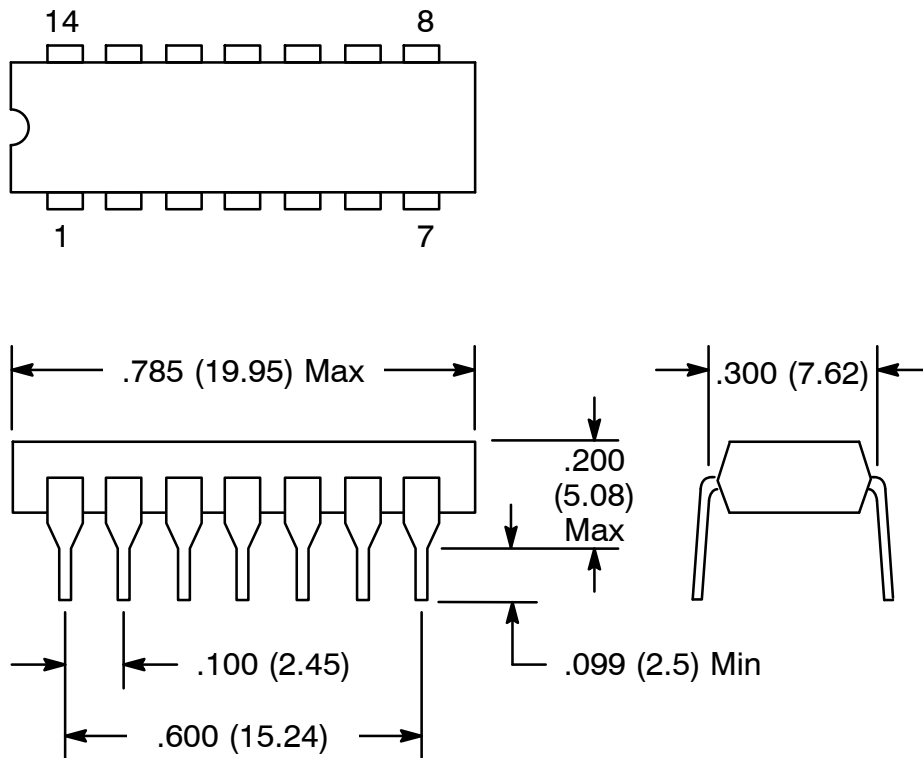
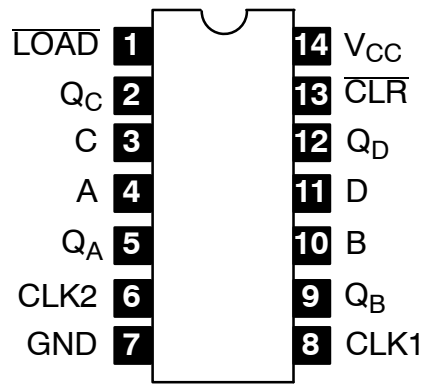
#### Bi-Quinary (5-2)

Count	Outputs			
	Q <sub>A</sub>	Q <sub>D</sub>	Q <sub>C</sub>	Q <sub>B</sub>
0	L	L	L	L
1	L	L	L	H
2	L	L	H	L
3	L	L	H	H
4	L	H	L	L
5	H	L	L	L
6	H	L	L	H
7	H	L	H	L
8	H	L	H	H
9	H	H	L	L

H = High Level, L = Low Level

NOTE: Output Q<sub>D</sub> connected to clock-1 input.

### Pin Connection Diagram



## X-ON Electronics

Largest Supplier of Electrical and Electronic Components

*Click to view similar products for [NTE manufacturer](#):*

Other Similar products are found below :

[747](#) [797](#) [868](#) [1724](#) [NEH680M50FE](#) [NEHH1.0M450CB](#) [NTE526A](#) [228A](#) [231](#) [954](#) [2023](#) [510](#) [WH20-04-25](#) [04-SLPE3750A](#) [5615](#) [591](#) [69-36WW-WR-KIT](#) [7056](#) [7448](#) [NEH.10M50AA](#) [NEH2.2M63AA](#) [NEH330M35DD](#) [NEH33M10AA](#) [NEV.22M100AA](#) [NEV470M50FF](#)  
[NTE133](#) [NTE542](#) [NTE74154](#) [R02-11A10-120H](#) [04-SCBW25L-BK](#) [04-SCBW6C-BK](#) [04-SCBW32L-BK](#) [04-SCW10C-BK](#) [04-SCBW19L-GR](#) [04-SCW19L-WH](#) [04-SCW19L-OR](#) [04-SCW38L-WH](#) [04-SCBW50L-OR](#) [04-SCBW50L-GR](#) [04-SCW10C-GR](#) [04-SCW10C-OR](#) [04-SCBW32L-GR](#) [04-SCBW32L-WH](#) [04-SCBW32L-OR](#) [04-SCBW6C-WH](#) [04-SCBW6C-GR](#) [04-SCBW6C-OR](#) [04-SCBW25L-GR](#) [04-SCBW25L-WH](#) [04-ESNF-500L](#)