



# 19" Fan Unit with 2 Fans or 4 Fans

## Technical Features

1.5mm steel

Air flow 95-115 CFM

Operating voltage AC220-240v, 50/60Hz

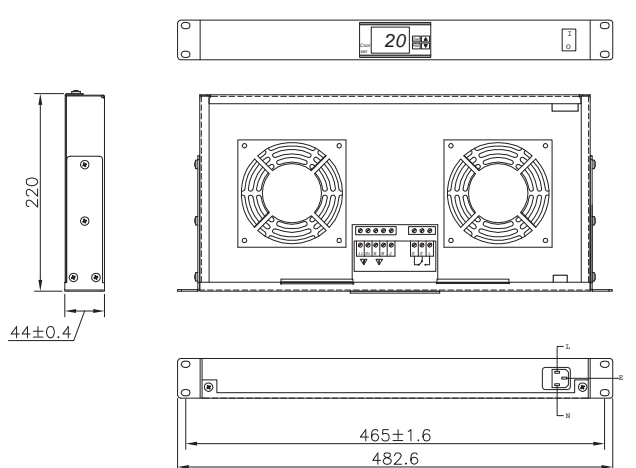
Fan speed 2700-3100 rpm

Noise level 44-49dB(A)

Part-No. Black = B Grey = G	Height U	Width (W) mm	Weight kg	Number of Fans	EAN Code
FAU02FB	1U	483	3.5	2	4052792026788
FAU02FG	1U	483	3.5	2	4052792026771
FAU04FB	1U	483	4	4	4052792026801
FAU04FG	1U	483	4	4	4052792026795

## Technical Drawings

FAU02FB/FAU02FG



www.logilink.com



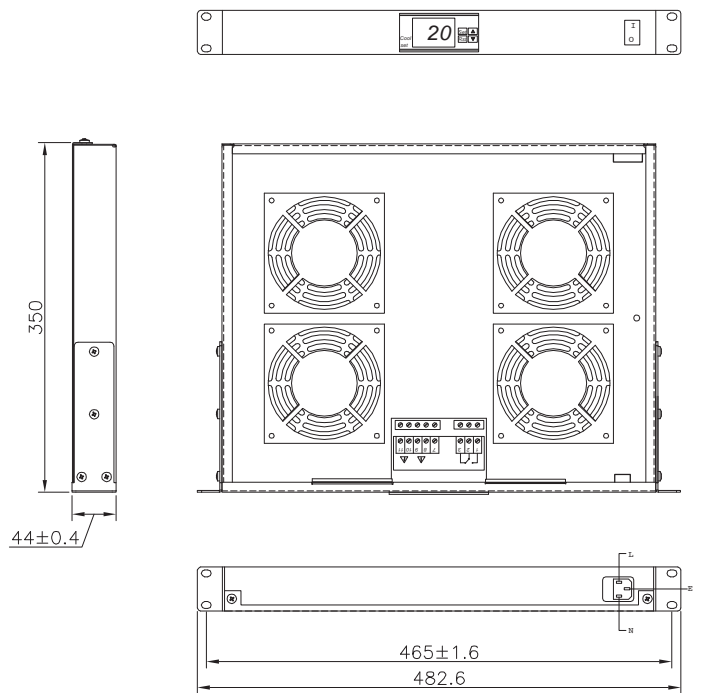
RoHS  
compliant



Made in China

\* The specifications and pictures are subject to change without notice.  
\*All trade names referenced are the registered trademark of their respective owners.

FAU04FB/FAU04FG



## Package Contents

1 x 19" Fan unit

## Packaging Informations

Packing Dimension	505 x 230 x 55mm (FAU02Fx) / 505 x 360 x 55mm (FAU04Fx)
Packing Weight	3.5kg (FAU02Fx) / 5.2kg (FAU04Fx)
Carton Dimension	505 x 230 x 55mm (FAU02Fx) / 505 x 360 x 55mm (FAU04Fx)
Carton Q'ty	1pc
Carton Weight	3.5kg (FAU02Fx) / 5.2kg (FAU04Fx)

Made in China

www.logilink.com



RoHS  
compliant



\* The specifications and pictures are subject to change without notice.  
\*All trade names referenced are the registered namework of their respective owners.

## X-ON Electronics

Largest Supplier of Electrical and Electronic Components

*Click to view similar products for [AC Fans](#) category:*

*Click to view products by [Logilink](#) manufacturer:*

Other Similar products are found below :

[M2E068-DF13-79](#) [F1238H24B-FHR](#) [8850A](#) [G9225S05B2-FSR](#) [A2D200-AA04-41](#) [A2E165-AA17-01](#) [R2D140-AB02-14](#) [R4D310-AS18-01](#)  
[R4D400-AD22-06](#) [R4E180-AS11-09](#) [AD0912HB-A7BGL](#) [1500-FAN-01](#) [25.001.1856.0](#) [25.320.1153.1](#) [25.320.1353.1](#) [25.320.4753.1](#)  
[25.320.5453.1](#) [25.330.1353.1](#) [25.330.4853.1](#) [25.330.5153.1](#) [25.330.5353.1](#) [25.340.1053.1](#) [25.350.5253.0](#) [25.600.4053.0](#) [272DL-2LP11-000](#)  
[S2E250-AL06-70](#) [A2D210-AB10-05](#) [A2D240-AA02-02](#) [A2D250-AE22-06](#) [A2E170-AF23-01](#) [F1238S24BT-FSR](#) [25.000.1856.0](#)  
[25.000.2056.0](#) [25.010.1856.0](#) [25.220.3953.1](#) [25.332.2453.1](#) [25.340.0453.1](#) [25.345.5353.0](#) [25.352.1853.0](#) [281DS-2LP11-000B](#) [281DY-](#)  
[1LP14-000B](#) [298DM-2LP11-000](#) [298DS-2LP11-000A](#) [R2S150-AD08-09](#) [344DY-1LP11-000](#) [39.703.0253.0](#) [USTF1203224VHW](#)  
[3915100996-SA3](#) [3G2C7MC224](#) [W2D200-HH04-07](#)