


TURCK

Inductive Sensors - Barrels

G and EG Barrel



Barrel, Metal with Potted-In Cable - Standard, Stainless Steel Full Threading

3-Wire DC 
 10-30 VDC, Short-Circuit and Overload Protected
 Normally Open*, NPN (Sinking) or PNP (Sourcing)



Sensor Selection

| Part Number | Embeddable | Rated Operating Distance (mm) | Barrel Diameter (mm) | Sinking | Sourcing | Drawing # | Wiring Diagram | # of LEDs | FM Approved Division 2 | Switching Frequency (Hz) | ID Number |
|----------------|------------|-------------------------------|----------------------|---------|----------|-----------|----------------|-----------|------------------------|--------------------------|-----------|
| Bi 2-G12-AN6X | • | 2 | 12 | • | | 1 | A | 1 | • | 2000 | T4635500 |
| Bi 5-G18-AN6X | • | 5 | 18 | • | | 3 | A | 1 | • | 1000 | T4641500 |
| Bi10-G30-AN6X | • | 10 | 30 | • | | 5 | A | 1 | • | 500 | T4647500 |
| Ni 5-G12-AN6X | | 5 | 12 | • | | 2 | A | 1 | • | 1500 | T4635700 |
| Ni10-G18-AN6X | | 10 | 18 | • | | 4 | A | 1 | • | 1000 | T4641700 |
| Ni15-G30-AN6X | | 15 | 30 | • | | 6 | A | 1 | • | 500 | T4647700 |
| Bi 2-G12-AP6X | • | 2 | 12 | | • | 1 | B | 1 | • | 2000 | T4635400 |
| Bi 5-G18-AP6X | • | 5 | 18 | | • | 3 | B | 1 | • | 1000 | T4641400 |
| Bi10-G30-AP6X | • | 10 | 30 | | • | 5 | B | 1 | • | 500 | T4647400 |
| Ni 5-G12-AP6X | | 5 | 12 | | • | 2 | B | 1 | • | 1500 | T4635600 |
| Ni10-G18-AP6X | | 10 | 18 | | • | 4 | B | 1 | • | 1000 | T4641600 |
| Ni15-G30-AP6X | | 15 | 30 | | • | 6 | B | 1 | • | 500 | T4647600 |
| Bi 2-EG12-AN6X | • | 2 | 12 | • | | 1 | A | 1 | • | 2000 | T4605101 |
| Bi 5-EG18-AN6X | • | 5 | 18 | • | | 3 | A | 1 | • | 1000 | T4611101 |
| Bi 2-EG12-AP6X | • | 2 | 12 | | • | 1 | B | 1 | • | 2000 | T4605001 |
| Bi 5-EG18-AP6X | • | 5 | 18 | | • | 3 | B | 1 | • | 1000 | T4611001 |

* Normally Closed versions available upon request, consult factory.

Cable/Conductor

Cable: PVC Jacket; 2 and 7 meter standard length
 Copper Conductor: G12: 24 AWG
 (PVC insulated) G18/G30: 21AWG

Material

G Barrel/Locknuts: Chrome Plated Brass
 EG Barrel/Locknuts: Stainless Steel
 Sensing Face: PA 12-GF30 Plastic
 End Cap: PUR Plastic

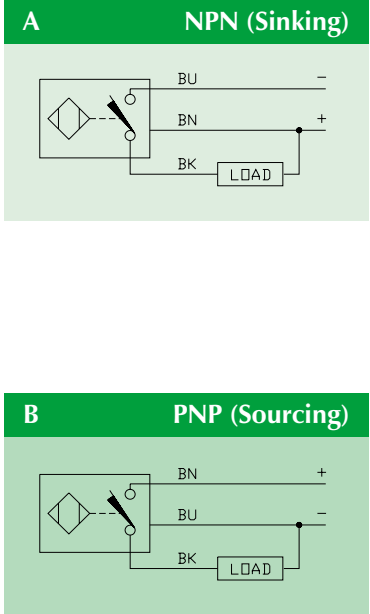
Accessories

Accessories and mounting devices can be found in Section J.

Specifications

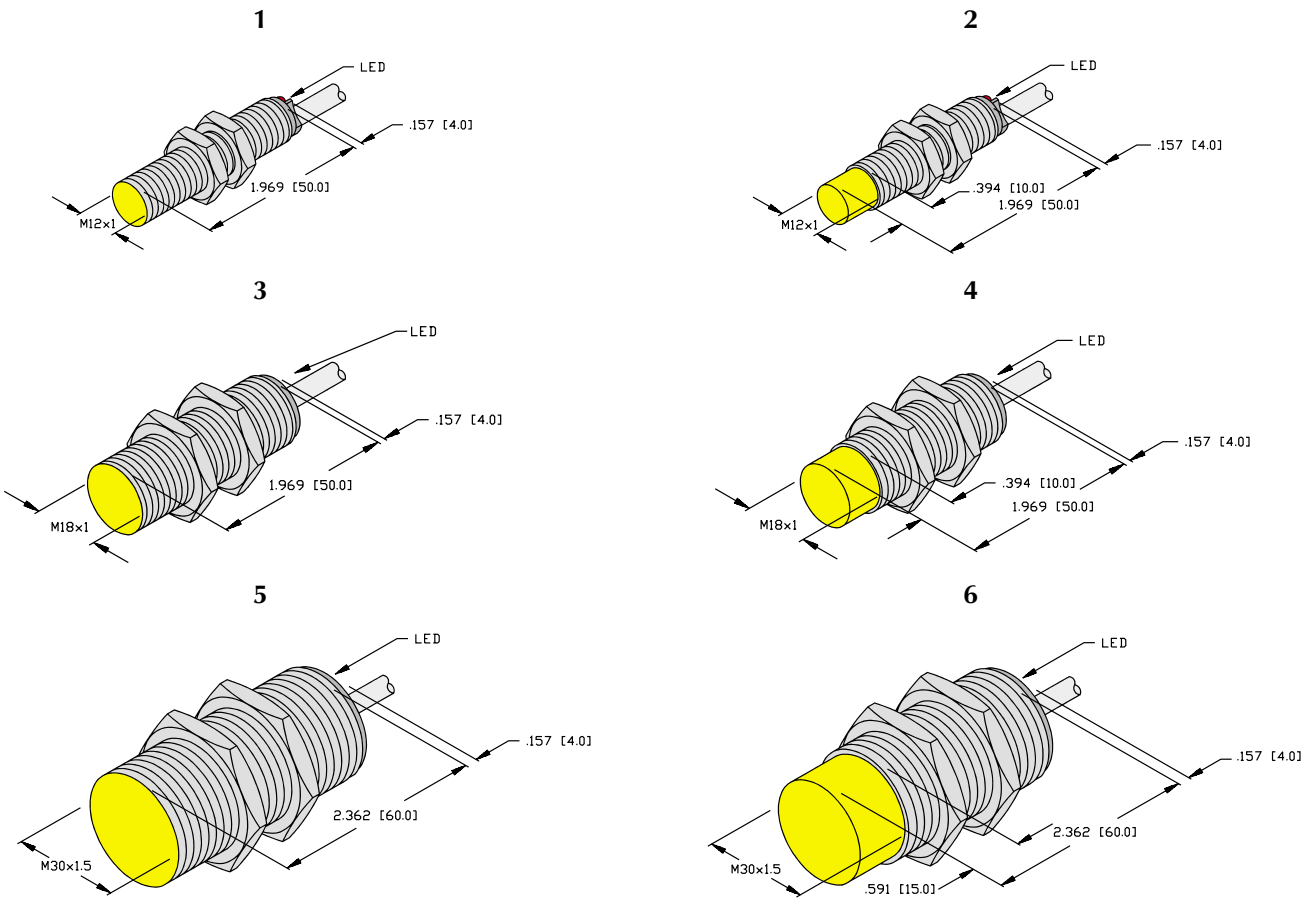
| | |
|---|---------------------------------------|
| Ripple | ≤10% |
| Differential Travel (Hysteresis) | 3-15% (5% typical) |
| Voltage Drop Across Conducting Sensor | ≤1.8 V at 200 mA |
| Trigger Current for Overload Protection | ≥220 mA |
| Continuous Load Current | ≤200 mA |
| Off-State (Leakage) Current | <10 μA |
| No-Load Current | 5.5-9.5 mA |
| Time Delay Before Availability | ≤8 ms |
| Power-On Effect | Per IEC 947-5-2 |
| Reverse Polarity Protection | Incorporated |
| Wire-Break Protection | Incorporated |
| Transient Protection | Per EN 60947-5-2 |
| Operating Temperature | -25°C to +70°C (-13°F to +158°F) |
| Enclosure | Meets NEMA 1,3,4,6,13 and IEC IP 67 |
| Shock | 30 g, 11 ms |
| Vibration | 55 Hz, 1 mm Amplitude in all 3 Planes |
| Repeatability | ≤2% of Rated Operating Distance |
| LED On | Output Energized |

Wiring Diagrams



Barrels

Dimensions



X-ON Electronics

Largest Supplier of Electrical and Electronic Components

Click to view similar products for [Turck manufacturer](#):

Other Similar products are found below :

[BI10-M30-AP6X-H1141](#) [BI2-G12-AZ33X-7M](#) [BS4151-0/13.5](#) [NI12U-G18-ADZ30X2-B1331](#) [NI12U-M18-AN4X](#) [BI1.5-G08K-AN6X](#) [BI5-G18-AZ3X](#) [BI5-G18-AZ3X-B1331-50MM](#) [VB20](#) [BMWS 8151-0/9](#) [NI4U-EG08-AN6X-H1341](#) [BC 5-Q08-AP6X2-V1131](#) [NI5-G12-AP6X-H1141](#) [NI14-G18-ADZ30X2](#) [BI5-G18-Y0](#) [C2-A20DX/024VDC](#) [NI35U-CK40-ADZ30X2-B3131](#) [W/BS4](#) [RK40-2M](#) [BI5-G18-AP6X-B1441/S34](#) [RSM FKM RKM 57](#) [BC5-S18-Y1X](#) [FEN20-4DIP-4DXP-DIN](#) [BCF5-S18-RP4X/S90](#) [BI5-M18-AZ3X/S120](#) [BI2-G08-AN6X](#) [NI12U-MT18-AP4X-H1141](#) [BI8U-Q10-AP6X2-V1131](#) [CT 2-A30/M](#) [PT-30HG-13-LI3-H1131](#) [FCS-N1/2A4P-AP8X-H1141](#) [B1N360V-Q20L60-2LU3-H1151](#) [CMBS 8141-0](#) [BI10-M30-AN6X-H1141](#) [CMB 8151-0](#) [RK 4.5T-10](#) [VB80-P7X9-8/CS12](#) [NI12U-M18-AP6X-H1141](#) [RK 4T-6](#) [BS 4131-0/9](#) [B 4241-0/9](#) [NI3-EG08K-Y1-H1341](#) [RK 4.4T-10](#) [RI360P0-QR24M0-INCRX2-H1181](#) [BI10U-Q14-AP6X2-V1131](#) [FDN20-4S-4XSG-E](#) [FKV-CC](#) [FSFD 8](#) [NI4U-EG08-RP6X-V1131](#) [RK 4.4T-8](#) [NI8-M18E-VN4X](#)