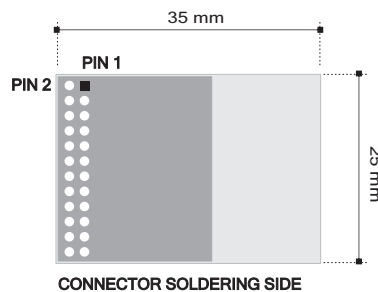


## XTR-ZB1-xLI

- High efficiency (XTR-ZB1-RLI) and high power (XTR-ZB1-RHI) modules for best coverage of wide areas.
- PC operative interface through OCX file which can be easily embedded into the customer high level language program (Visual Basic, Visual C, Java, etc, allowing the convenient network handling).
- Application software in Visual Basic language for usage of Aurel OCX component which shows how to create, manage and monitor the network by means of high level commands without needing any further pieces of information regarding the network itself.
- Possibility of automatic RF channel switch in case of external interferences and automatic rebuilding of whole network within 3 minutes.
- Mesh-type data transmission among network nodes by utilizing only ASCII strings made up of address+data format.
- Possibility to lock the network once it is built up and working, allowing the highest control even in presence of other nearby Zigbee networks.
- Automatic and user transparent encrypted data transmission (128 encryption key).
- Commands set by ASCII strings for low level module usage.

### Pin-Out

1) Vcc	13) OUT 1
2) GND	14) OUT R.
3) INPUT R.	15) OUT 3
4) ADC1	16) OUT 2
5) RSTX	17) IN 1
6) RSRX	18) OUT 4
7) RTS	19) IN 3
8) CTS	20) IN 2
9) ADC3	21) INTERRUPT
10) GND	22) PWD
11) ADC2	23) GND
12) ADC4	24) RESET



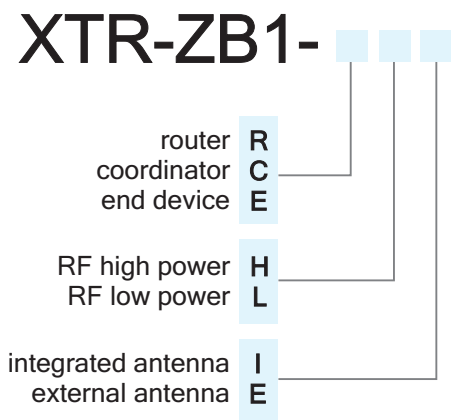
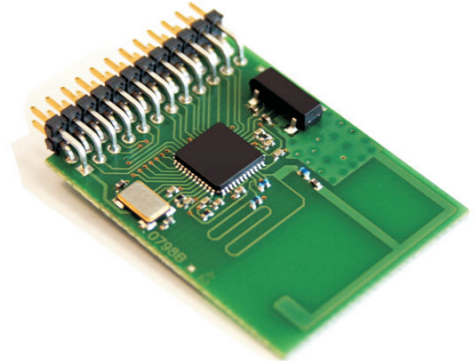
## XTR-ZB1-RLI, XTR-ZB1-CLI, XTR-ZB1-ELI

Characteristics
Voltage supply
Current supply (RX mode)
Current supply (TX mode)
Current supply (power down)
Modulation type
Receiver sensitivity
RF Power out (ERP)
RF channels frequencies
Number of channels
RF bandwidth
RF data rate (raw)

Min	Typ	Max	Unit
2.0	3.3	3.6	Vdc
	33		mA
	28		mA
		1	µA
	O-QPSK		
	-92		dBm
	0		dBm
2405		2483	MHz
	16		
	2		MHz
	250		kbps

Ta = 25 °C

## XTR-ZB1-xLI



### Application

Start up of Zigbee network with high level software support for best network management and control.

## X-ON Electronics

Largest Supplier of Electrical and Electronic Components

*Click to view similar products for [Aurel manufacturer](#):*

Other Similar products are found below :

[650201276G](#) [650201392G](#) [650201454G](#) [650201455G](#) [650201089G](#) [650201268G](#) [650200910G](#) [650201014G](#) [650201430G](#) [650201009G](#)  
[SIR2008HCS/HT12E](#) [MAGCON HCS](#) [650201168G](#) [650200994G](#) [650201001G](#) [HCS-DEC-4](#) [HCS-TX-3](#) [650201476G](#) [650201429G](#)  
[650201088G](#) [RX-4MR50-SMD](#) [650201473G](#) [650201424G](#) [650201226G](#) [RX-4MR50++](#) [650201425G](#) [T 433,92](#) [AC-RX-433](#) [650201420G](#)  
[650200683G](#) [650201033G](#) [650201364G](#) [HCS-TX-2](#) [AS 433](#) [650201097G](#) [650201427G](#) [650201132G](#) [RX-4MHCS](#) [650200738G](#)  
[650200590G](#) [650201044G](#) [650201025G](#) [650201096G](#) [HCS-TX-1](#) [650201138G](#) [650201347G](#) [650200597G](#) [650200684G](#) [650201527FG](#)  
[650201036G](#)