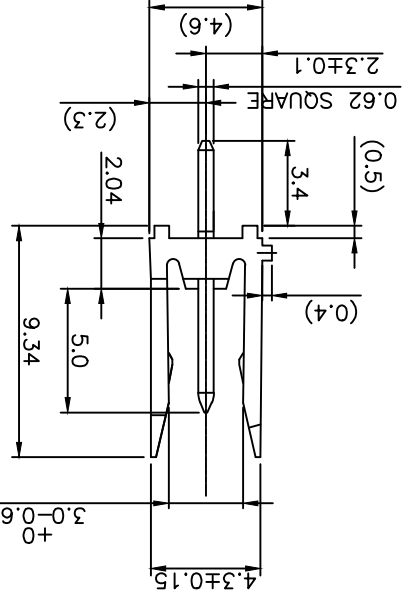
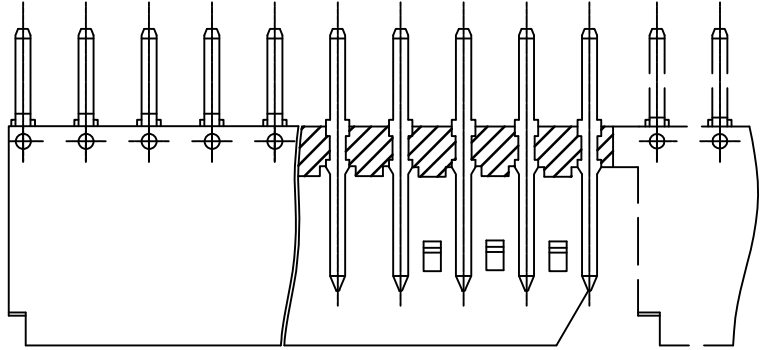
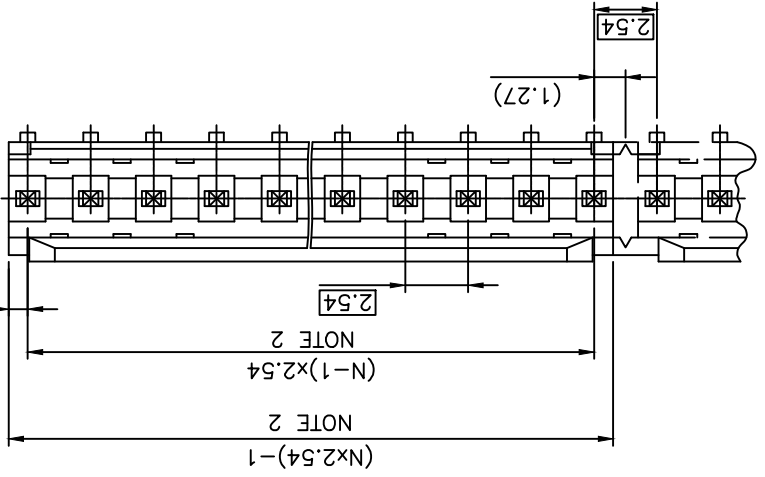
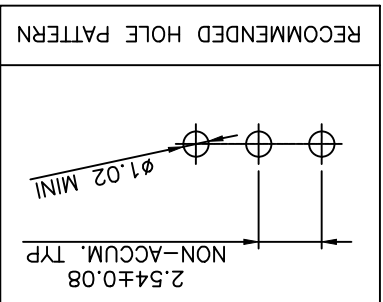


PRODUCT NUMBER
SEE SHEET 2

NOTES :
1. MINI PUSH-OUT FORCE TERMINAL IN BOTH DIRECTIONS 22N.
2. TO DETERMINE DIMENSIONS:
N = NUMBER OF POSITIONS PER ROW
EXAMPLE: 8 POS: (N X 2.54) - 1 = 19.32 mm



mat'l. code	SEE NOTES	ISO 1302	ISO 406 ISO 1101	projection	product family	DUBOX
surface tolerance	ISO 1302	ISO 406 ISO 1101	tolerances unless otherwise specified	title	SHR. HEADER	STR SR TMT
angles	linear	XX ± 0.3	mm	scale	5:1	
linear	XXX ± 0.05			type	CUSTOMER Drawing	76384
sheet	revision	V	F	sheet	1	2
index	sheet	1	2	type		

Rohs COMPLIANT PRODUCT NUMBER
76384-YXXLF

PLATING CODE _____
3= 0.76µm GOLD/GXT ON CONTACT AREA.
2µm MIN MATTE TIN ON TAIL.
4= 2µm MIN MATTE TIN FULL PLATED

NUMBER OF POSITIONS: 02 TO 18

- NOTES:
- 1 - HOUSING MAT'L: THERMOPLASTIC GLASS FILLED FLAME RETARDANT PER UL 94 V-0 COLOR: BLACK.
 - 2 - TERMINAL MATERIAL: COPPER ALLOY.
 - 3 - 2 UP TO 6 POSITIONS, PRODUCT PACKED IN PLASTIC BAG. 7 UP TO 18 POSITIONS, PRODUCT PACKED IN TUBE.
 - 4 - ONLY DASH NUMBER -X02 AND -X03 ALWAYS TEN (10) PRODUCTS MOLDED ASSEMBLY & DELIVERED ON STRIP ACCORDING PHANTOM LINES.
 - 5 - ROHS COMPATIBLE PRODUCT SPECIFICATIONS
 - 6 - PLATING:
 - "LF" MEANS THE PRODUCT IS LEAD-FREE, 2µm MINIMUM MATTE TIN OVER 1.27µm MINIMUM NICKEL UNDERPLATE.
 - MANUFACTURING PROCESS COMPATIBILITY
 - 7 - THE HOUSING WILL WITHSTAND EXPOSURE TO 260°C ±5°C SOLDER BATH TEMPERATURE FOR 5 SECONDS IN A WAVE SOLDER APPLICATION WITH A 1.6mm MIN THICK CIRCUIT BOARD.
 - 8 - LABELING:
 - MEETS PACKAGING SPECS AS PER GS-14-920
 - LEGAL STATEMENT: SEE GS-47-0004

mat'l. code		surface		tolerance		projection		product family	
SEE NOTES		ISO 1302		ISO 406 ISO 1101		ISO 10		DUBOX	
litr	ecn no	dr	date	tolerances unless otherwise specified		projection		product family	
A	F05-0159	LMU	05.03.31	angles	.X ±0.3	mm		SHR. HEADER	
B	F06-0228	LMU	06.07.11	linear	.XX ±0.15	mm		STR SR TMT	
C	F07-0147	LMU	07.03.01	angles	.XXX ±0.05	mm		STR SR TMT	
D	F07-0220	JCO	07.06.14	dr	L.MULIN	scale 5:1		dwg no	
E	F08-0147	YOV	08.04.14	eng'g	J.COMFAGNON	05.03.25		sheet 2 of size	
F	B-19286	AMA	14.11.03	chr	J.M.C	05.03.25		CUSTOMER Drawing	
sheet		revision		sheet		index		sheet	

X-ON Electronics

Largest Supplier of Electrical and Electronic Components

Click to view similar products for [Circular Metric Connectors](#) category:

Click to view products by [Amphenol](#) manufacturer:

Other Similar products are found below :

[1424048](#) [1021212](#) [600X518037X](#) [6STD09SAM99B70X](#) [6STD15PCR99B70A](#) [8R4000A16M020](#) [1200910002](#) [1201150041](#) [1203580030](#)
[1200700064](#) [1200700263](#) [1200700416](#) [1200730102](#) [1200770002](#) [1-2823588-2](#) [130203-0054](#) [1300140026](#) [1300150099](#) [1-3637-600-5205](#)
[1545399](#) [1594331](#) [1600413](#) [1612606](#) [1612618](#) [1614660](#) [1A4000-348](#) [CA06EW24-10P-B-03](#) [21036836414](#) [2823064-1](#) [1610759](#) [A1642LK-](#)
[II-T](#) [1R3006A20M005](#) [41-01016](#) [41-40011](#) [41-40017](#) [42-00006](#) [42-01015](#) [4-22279-4](#) [4-22281-1](#) [4-22284-9](#) [43-00002](#) [43-00113](#) [43-00130](#)
[43-01028](#) [43-01034](#) [43-01088](#) [43-01090](#) [43-01203](#) [43-01209](#) [43-01335](#)