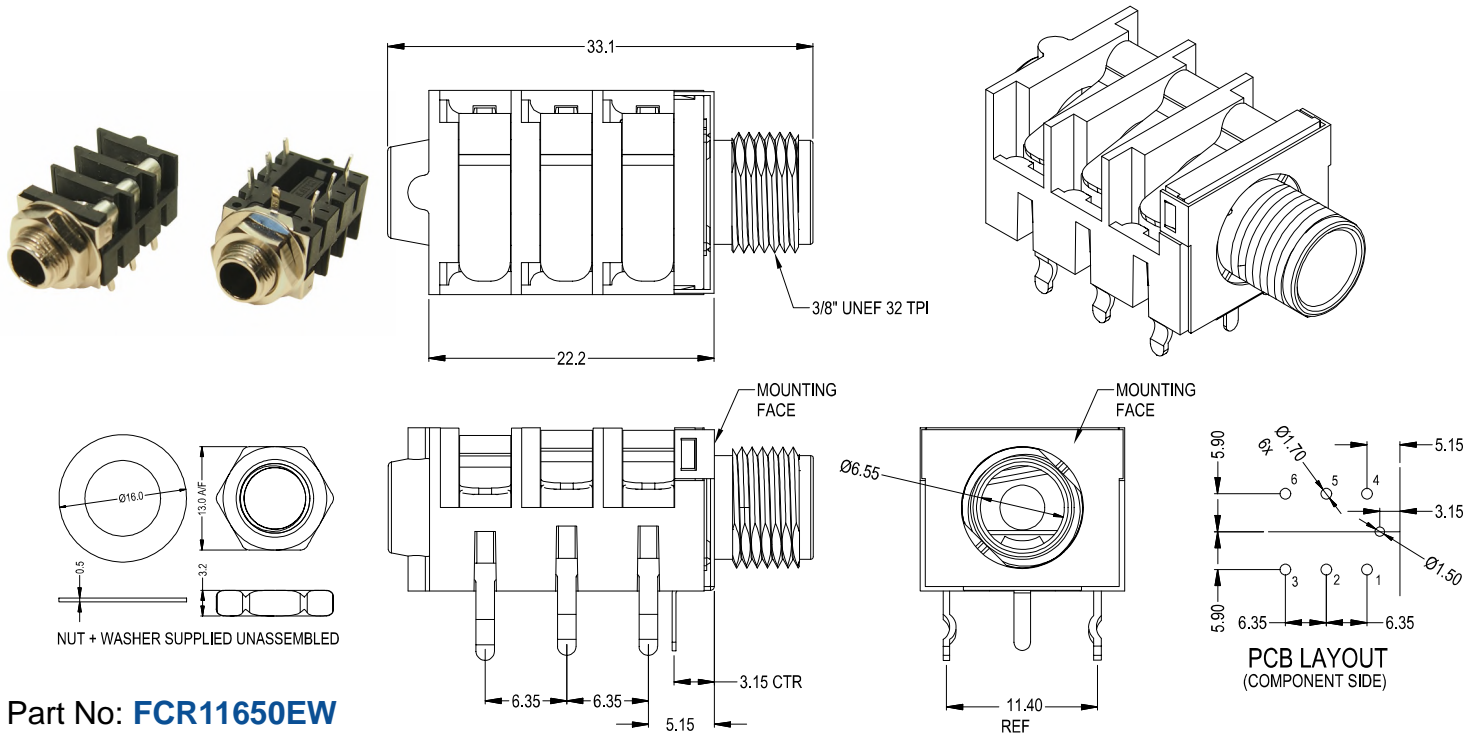




# METAL NOSE 6.35mm JACK SOCKET S1CM

This 6.35mm Stereo jack socket has a metal nose and front RFI earth washer. The body material is PBT UL V0 with a zinc alloy nose, and the contact material is brass / nickel plated. It has kinked PC legs for easy board assembly and is supplied with a separate washer and nut.



Part No: **FCR11650EW**

## SPECIFICATION

Designed to receive both mono and stereo 1/4" jack plugs. The body is moulded from tough FR PBT (UL E349642). Contacts are brass alloy, silver plated for long life, and are self cleaning for superior performance and reliability. The thread at the front is made from durable diecast zinc alloy and is nickel plated. The jack is supplied with a fitted, plated ferrous RFI screen with a PCB pin for direct connection to the PCB.

Supplied with a metal nut and washer, (not pre-fitted to save assembly time). The standard version FCR11650EW is stereo with 3xBBB contacts. A mono version S1CM/BNB can also be supplied.

Pin 4 always in contact with metal nose / EW

## TECHNICAL DATA

### Electrical

Withstand Voltage : 2000V DC Min  
Maximum current: 5 amp  
Nominal Contact Resistance: <50mΩ

### Materials

Housing: PBT E349642  
Contacts: Cliff Brass alloy Ag plated

### Mechanical

Operating Temp: -10°C to +70°C  
Solderability: 95% coverage (min.)  
Test Temperature: 230°C +/- 10°C  
Test Time: 3 sec +/- 0.5 sec  
Insertion Force: <5 NF  
Removal Force:>10NF

## X-ON Electronics

Largest Supplier of Electrical and Electronic Components

*Click to view similar products for [DC Power Connectors](#) category:*

*Click to view products by [Cliff](#) manufacturer:*

Other Similar products are found below :

[1600206-1](#) [163-0301-EX](#) [163-0302](#) [163-0308-EX](#) [163-0310-EX](#) [163-1061-EX](#) [163-1100-EX](#) [163-4024](#) [163-4117-EX](#) [163-4118-EX](#) [163-5005-E](#) [163-7421](#) [163-MJ22-EX](#) [171-0721-EX](#) [171-0725-EX](#) [171-3118-EX](#) [171-3210-E](#) [171-3221-EX](#) [171-3222-EX](#) [171-A1326-EX](#) [173-23507-ST-EX](#) [173-5521TIP-EX](#) [173-6330TIP-EX](#) [KLDVX-SMT-02-ATR](#) [KLDX-0201-AHT-1](#) [KLDX-0202-AHT](#) [KLDX-SMT-0202-BP](#) [KLDX-SMT-0202-BPTR](#) [163-0179-EX](#) [163-0307-E](#) [163-0309-EX](#) [163-4007-EX](#) [163-4015-EX](#) [163-4025](#) [163-4119-E](#) [163-4303-E](#) [16PJ101-EX](#) [171-0702-EX](#) [171-0722-E](#) [171-0726-EX](#) [171-2122-EX](#) [171-3216-EX](#) [171-3218-EX](#) [171-3219-EX](#) [171-3220-EX](#) [171-7391](#) [173-3413-ST-EX](#) [173-4017-ST-EX](#) [RAPCBRK](#) [K596](#)