



## Product information G 30 A 5 M schwarz/black

Industrial Connecting Solutions:Rectangular Connectors:DIN VDE 0627 / IEC 61984 Connectors (G serie):Cable plug:G 30 A 5 M schwarz/black

<http://www.e-catalog.beldensolutions.com/link/57078-24228-256261-24347-24349-36962/en/conf/ui/state>

Name G 30 A 5 M schwarz/black



Surface mounted connector with flange with solder contacts

### Delivery informations

Availability available

### Product description

Description Surface mounted connector with flange with solder contacts

Type G 30 A 5 M schwarz/black

Order No. 932 840-100

Type of contact blade contacts

Number of contacts 3 + PE

Standard DIN VDE 0627 / IEC 61984

Housing Color black

### Technical data

Pin dimensions 2.8 mm x 0.8 mm

Rated voltage AC/DC 250 V

Rated current 10 A

Contact resistance  $\leq 4 \text{ m}\Omega$

Type of termination solder (solder tabs for printed circuits)

### Material

Contact surface material Sn

Contact bearer material PA

Housing material PA

### Environmental conditions

Protection class (IEC 60529) IP 65

Pollution severity 3

Temperature range -40 °C to +90 °C

### Inflammability class

Housing 94 HB

Contact bearer 94 HB

### Approvals

VDE VDE

### Packing unit

Packaging unit 100 pieces

### Scope of delivery and accessories

Scope of delivery 1 surface mounted connector

Accessories to order separately can be plugged into G 30 KW 3 F 2m, G 30 W 3 F grau/grey



# HIRSCHMANN

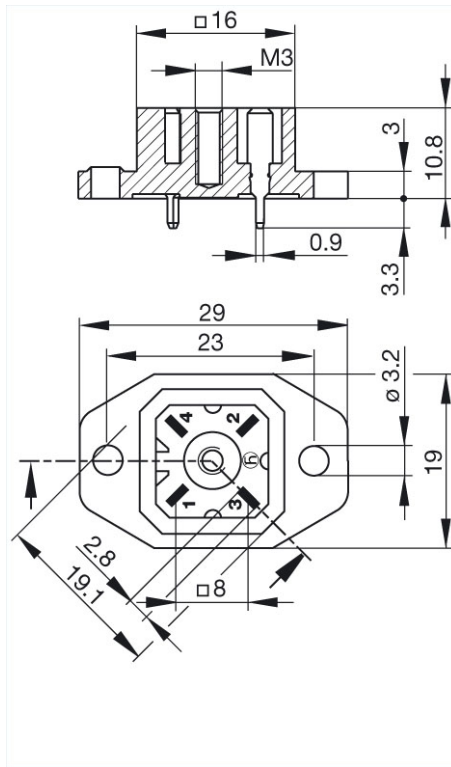
A Belden Brand

Industrial Connecting Solutions: Rectangular Connectors: DIN VDE 0627 / IEC 61984 Connectors (G serie): Cable plug: G 30 A 5 M schwarz/black

<http://www.e-catalog.beldensolutions.com/link/57078-24228-256261-24347-24349-36962/en/conf/ui/state>

Picture

Drawing



#### Belden Deutschland GmbH

Im Gewerbepark 2  
58579 Schalksmühle  
Germany  
Phone: +49 7127/14-1806  
E-Mail: [icos-sales@belden.com](mailto:icos-sales@belden.com)

The information published in the websites has been compiled as carefully as possible. It is subject to alteration without notice in technical as well as in price-related/commercial respect. The complete information and data were available on user documentation. Mandatory information can only be obtained by a concrete query.

# X-ON Electronics

Largest Supplier of Electrical and Electronic Components

*Click to view similar products for [Rack & Panel Connectors](#) category:*

*Click to view products by [Hirschmann](#) manufacturer:*

Other Similar products are found below :

[00170420102](#) [00171410002](#) [00171420202](#) [00171440002](#) [007023041000111](#) [008026165000265](#) [008219072000112P5](#) [008219072000112P61](#) [00-8223-096-580-102](#) [02-014-013-5200-000](#) [CTJ116E03A-513](#) [CTJ720E01B-513 L/C](#) [CTM-16-513](#) [M81714/63-16F](#) [M81714/63-22S L/C](#) [CW8958-000](#) [D250-50632](#) [D253-50570](#) [70.400.3240.0](#) [70.955.2453.3](#) [733753-000](#) [780-522-DPX34RG8-02](#) [MMA25-0051R1](#) [MMA25-0341D1](#) [8660-50187.060.0053.0](#) [900709N001](#) [QRP4-12P-C\(01\)](#) [QR/P6-6S-C\(01\)](#) [AC-600003-004](#) [1218600-1](#) [D-659-0061](#) [DMC-MD 24 C-T](#) [1-445717-6](#) [1484398-2](#) [1484399-2](#) [1484469-2](#) [MR-34MG](#) [1484225-1](#) [1484398-1](#) [1484510-4](#) [1604997-2](#) [1663130-1](#) [1663767-7](#) [1663767-8](#) [MTC100-BF1-P31CS015](#) [MTC100-KT2-0083](#) [MTC100-KT2-0123-003](#) [MTCB1X-105-XXX](#) [MTC PQKT1R2PGCA](#)