




## Product information G 30 E 3 F grau/grey

Industrial Connecting Solutions:Rectangular Connectors:DIN VDE 0627 / IEC 61984 Connectors (G serie):Cable socket:G 30 E 3 F grau/grey

<http://www.e-catalog.beldensolutions.com/link/57078-24228-256261-24347-24348-36908/en/conf/ui/state>

Name	G 30 E 3 F grau/grey
	
	Panel-mounted socket grey with flange, with solder contacts
<b>Delivery informations</b>	
Availability	available
<b>Product description</b>	
Description	Panel-mounted socket grey with flange, with solder contacts
Type	G 30 E 3 F grau/grey
Order No.	931 782-106
Type of contact	forked spring
Number of contacts	3 + PE
Standard	DIN VDE 0627 / IEC 61984
Housing Color	grey
<b>Technical data</b>	
Rated voltage	AC/DC 250 V
Rated current	10 A
Contact resistance	<= 4 mOhm
Type of termination	solder
Suitable cables	4 mm to 7.5 mm
<b>Material</b>	
Contact surface material	Sn
Contact bearer material	PA
Housing material	PA
<b>Environmental conditions</b>	
Protection class (IEC 60529)	IP 65
Pollution severity	3
Temperature range	-40 °C to +90 °C
<b>Inflammability class</b>	
Housing	94 HB
Contact bearer	94 HB
<b>Approvals</b>	
VDE	VDE
<b>Packing unit</b>	
Packaging unit	100 pieces
<b>Scope of delivery and accessories</b>	
Scope of delivery	1 panel-mounted socket
Accessories to order separately	can be plugged into G 30 KW 3 M; flat gasket G 30 E-1, order no. 732 135-002



# HIRSCHMANN

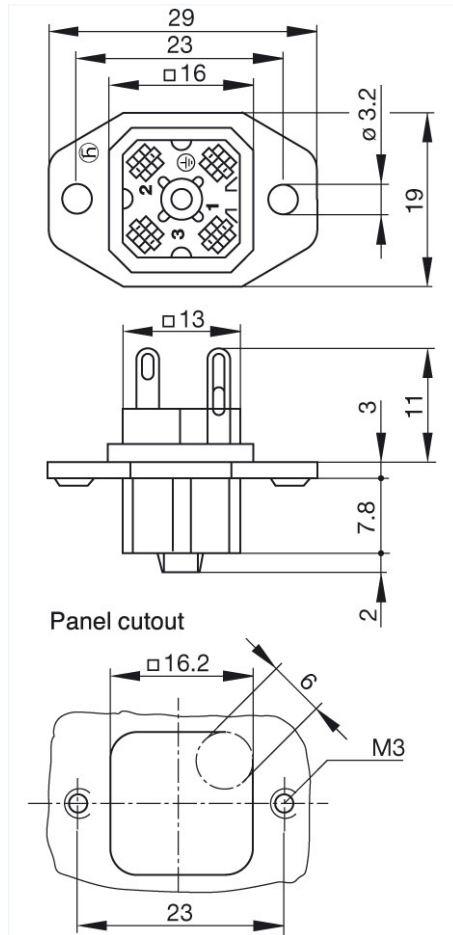
A BELDEN BRAND

Industrial Connecting Solutions:Rectangular Connectors:DIN VDE 0627 / IEC 61984 Connectors (G serie):Cable socket:G 30 E 3 F grau/grey

<http://www.e-catalog.beldensolutions.com/link/57078-24228-256261-24347-24348-36908/en/conf/ui/state>

Picture

Drawing



#### Belden Deutschland GmbH

Im Gewerbepark 2  
58579 Schalksmühle  
Germany  
Phone: +49 7127/14-1806  
E-Mail: [icos-sales@belden.com](mailto:icos-sales@belden.com)

The information published in the websites has been compiled as carefully as possible. It is subject to alteration without notice in technical as well as in price-related/commercial respect. The complete information and data were available on user documentation. Mandatory information can only be obtained by a concrete query.

# X-ON Electronics

Largest Supplier of Electrical and Electronic Components

*Click to view similar products for [Rack & Panel Connectors](#) category:*

*Click to view products by [Hirschmann](#) manufacturer:*

Other Similar products are found below :

[00170420102](#) [00171410002](#) [00171420202](#) [00171440002](#) [007023041000111](#) [008026165000265](#) [008219072000112P5](#) [008219072000112P61](#) [00-8223-096-580-102](#) [02-014-013-5200-000](#) [CTJ116E03A-513](#) [CTJ720E01B-513 L/C](#) [CTM-16-513](#) [M81714/63-16F](#) [M81714/63-22S L/C](#) [CW8958-000](#) [D250-50632](#) [D253-50570](#) [70.400.3240.0](#) [70.955.2453.3](#) [733753-000](#) [780-522-DPX34RG8-02](#) [MMA25-0051R1](#) [MMA25-0341D1](#) [8660-50187.060.0053.0](#) [900709N001](#) [QRP4-12P-C\(01\)](#) [QR/P6-6S-C\(01\)](#) [AC-600003-004](#) [1218600-1](#) [D-659-0061](#) [DMC-MD 24 C-T](#) [1-445717-6](#) [1484398-2](#) [1484399-2](#) [1484469-2](#) [MR-34MG](#) [1484225-1](#) [1484398-1](#) [1484510-4](#) [1604997-2](#) [1663130-1](#) [1663767-7](#) [1663767-8](#) [MTC100-BF1-P31CS015](#) [MTC100-KT2-0083](#) [MTC100-KT2-0123-003](#) [MTCB1X-105-XXX](#) [MTC PQKT1R2PGCA](#)