




## Product information GDML 2016 GB1 LED 24 schwarz/black

Industrial Connecting Solutions:Archive - Industrial Connectors:Rectangular connectors GDM-series (Archive):Type A EN 175301-803 (DIN 43650) / ISO 4400:Cable socket with electronic insert:GDML

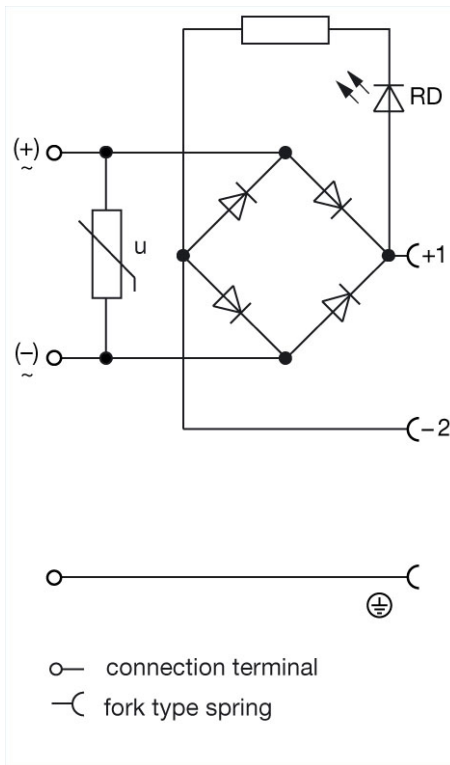
2016 GB1 LED 24 schwarz/black

<http://www.e-catalog.beldensolutions.com/link/57078-24228-62529-86162-24310-24314-35588/en/conf/uistate>

<b>Name</b>	GDML 2016 GB1 LED 24 schwarz/black
	
	bridge-type rectifier with protective circuit (varistor) and function indicator (LED)
<b>Delivery informations</b>	
<b>Availability</b>	available
<b>Product description</b>	
<b>Description</b>	bridge-type rectifier with protective circuit (varistor) and function indicator (LED)
<b>Type</b>	GDML 2016 GB1 LED 24 schwarz/black
<b>Order No.</b>	934 410-002
<b>Other standard types</b>	transparent housing, cable gland grey; Order no. 934 410-003
<b>Number of contacts</b>	2 + PE
<b>Cable gland</b>	M 16 (black)
<b>Conductor size</b>	max. 1.5 mm <sup>2</sup>
<b>Standard</b>	DIN EN 175 301-803-A
<b>Housing Color</b>	transparent
<b>Construction type</b>	A
<b>Description of Wiring</b>	
<b>LED color</b>	LED red
<b>Voltage rectifier</b>	bridge-type rectifier
<b>Suppressor</b>	varistor
<b>Technical data</b>	
<b>Pin dimensions</b>	6.3 mm x 0.8 mm, 4.8 mm x 0.8 mm
<b>Rated voltage</b>	AC/DC 24 V
<b>Rated current</b>	2 A (SEV 1011 : 1.5 A) AC / 1 A DC
<b>Contact resistance</b>	<= 4 mOhm
<b>Type of termination</b>	screw
<b>Suitable cables</b>	4.5 mm to 10 mm diameter
<b>Mounting</b>	central nut
<b>Material</b>	
<b>Contact surface material</b>	Sn
<b>Contact bearer material</b>	PA
<b>Housing material</b>	PA
<b>Environmental conditions</b>	
<b>Protection class (IEC 60529)</b>	IP 65 (gasket necessary)
<b>Pollution severity</b>	3
<b>Temperature range</b>	-40 °C to +90 °C
<b>Inflammability class</b>	
<b>Housing</b>	94 HB
<b>Contact bearer</b>	94 HB
<b>Packing unit</b>	
<b>Packaging unit</b>	50 pieces
<b>Scope of delivery and accessories</b>	
<b>Accessories to order separately</b>	(NBR) flat gasket GDM 3-7, Order no. 730 801-002; (EPDM) flat gasket GDM 3-21, Order no. 731 739-004; profiled gasket GDM 3-16, Order no. 731 531-002; knurled screw GDM 3011-8, Order no. 732 574-001; stainless steel screw GDM 3011 RF-1, Order no. 734 363-001

Picture

Drawing



**Belden Deutschland GmbH**

Im Gewerbepark 2  
58579 Schalksmühle  
Germany  
Phone: +49 7127/14-1806  
E-Mail: [icos-sales@belden.com](mailto:icos-sales@belden.com)

The information published in the websites has been compiled as carefully as possible. It is subject to alteration without notice in technical as well as in price-related/commercial respect. The complete information and data were available on user documentation. Mandatory information can only be obtained by a concrete query.

# X-ON Electronics

Largest Supplier of Electrical and Electronic Components

*Click to view similar products for [Heavy Duty Power Connectors](#) category:*

*Click to view products by [Hirschmann](#) manufacturer:*

Other Similar products are found below :

[1424439](#) [1424438](#) [09330062652](#) [2-8675P1](#) [580129-2](#) [605601-1](#) [6340G1](#) [6341G1](#) [6360G1](#) [6373G1](#) [6374g2](#) [6396G1](#) [647757-1](#) [66394-4](#) [6643411-1](#)  
[6646058-2](#) [6646137-1](#) [6646138-1](#) [6646348-1](#) [6646479-1](#) [6646608-1](#) [6646786-1](#) [6651091-1](#) [6651525-1](#) [6651529-1](#) [6651778-1](#) [6651788-1](#) [696465-](#)  
[1](#) [696475-1](#) [73000005059](#) [73000005326](#) [73000005349](#) [73080255059](#) [73080965046](#) [765-15-0080A](#) [765-16-0080B](#) [789.700-44](#) [789.700-54](#) [80-1010](#)  
[80-9](#) [827381-1](#) [829992-1](#) [902-77-02113](#) [PL00U-301-10D10](#) [PL00V-301-10D10](#) [PM103MOOLOO](#) [PM16S1620S32-50](#) [PM206MRALHB](#)  
[PM212MOOLOO](#) [PM309FOOLOO](#)