




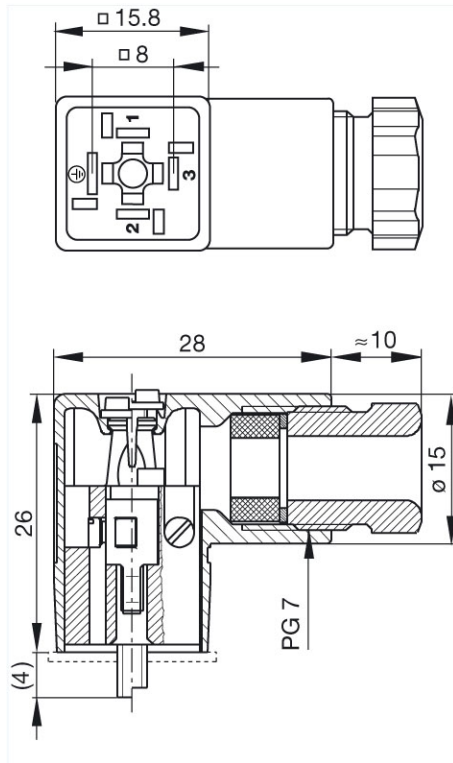
Product information GDSN 307 schwarz/black

Industrial Connecting Solutions:Rectangular Connectors:Valve Connectors (Type A -B -C):Type C:Field Attachable Valve Connectors:Valve Connectors (DIN EN 175 301-803):GDSN 307 schwarz/black

<http://e-catalog.hirschmann.com/link/57078-24228-256261-256266-256272-276221-24339-35436/en/conf/ulistate>

Name	GDSN 307 schwarz/black
	
	cable socket with central screw M 2.5 x 27
Delivery informations	
Availability	available
Product description	
Description	cable socket with central screw M 2.5 x 27
Type	GDSN 307 schwarz/black
Order No.	933 023-100
Other standard types	grey housing, Order No. 933 023-106
Number of contacts	3 + PE
Cable gland	PG 7
Conductor size	max. 0.75 mm ²
Standard	DIN EN 175 301-803-C
Housing Color	black
Construction type	C
Technical data	
Pin dimensions	2,8 mm x 0,5 mm, 3,6 mm x 0,5 mm
Rated voltage	AC/DC 250 V
Rated current	6 A
Contact resistance	<= 4 mOhm
Type of termination	screw
Suitable cables	4.5 mm to 6 mm
Mounting	central screw
Material	
Contact surface material	Sn
Contact bearer material	PA
Housing material	PA
Environmental conditions	
Protection class (IEC 60529)	IP 65
Pollution severity	3
Temperature range	-40 °C to +125 °C
Inflammability class	
Housing	94 HB
Contact bearer	94 V-2
Approvals	
UR	UR
VDE	VDE
SEV	SEV
CSA	CSA
Packaging unit	
Packaging unit	200 pieces
Scope of delivery and accessories	
Accessories to order separately	(NBR) flat gasket GDSN 307-4, Order No. 730 176-002; (EPDM) flat gasket GDSN 307-5, Order No. 730 310-004

Picture
Drawing



Belden Deutschland GmbH
Im Gewerbepark 2
58579 Schalksmühle
Germany
Phone: +49 7127/14-1806
E-Mail: icos-sales@belden.com

The information published in the websites has been compiled as carefully as possible. It is subject to alteration without notice in technical as well as in price-related/commercial respect. The complete information and data were available on user documentation. Mandatory information can only be obtained by a concrete query.

X-ON Electronics

Largest Supplier of Electrical and Electronic Components

Click to view similar products for [Heavy Duty Power Connectors](#) category:

Click to view products by [Hirschmann](#) manufacturer:

Other Similar products are found below :

[1424439](#) [1424438](#) [09330062652](#) [2-8675P1](#) [580129-2](#) [605601-1](#) [6340G1](#) [6341G1](#) [6360G1](#) [6373G1](#) [6374g2](#) [6396G1](#) [647757-1](#) [66394-4](#) [6643411-1](#)
[6646058-2](#) [6646137-1](#) [6646138-1](#) [6646348-1](#) [6646479-1](#) [6646608-1](#) [6646786-1](#) [6651091-1](#) [6651525-1](#) [6651529-1](#) [6651778-1](#) [6651788-1](#) [696465-](#)
[1](#) [696475-1](#) [73000005059](#) [73000005326](#) [73000005349](#) [73080255059](#) [73080965046](#) [765-15-0080A](#) [765-16-0080B](#) [789.700-44](#) [789.700-54](#) [80-1010](#)
[80-9](#) [827381-1](#) [829992-1](#) [902-77-02113](#) [PL00U-301-10D10](#) [PL00V-301-10D10](#) [PM103MOOLOO](#) [PM16S1620S32-50](#) [PM206MRALHB](#)
[PM212MOOLOO](#) [PM309FOOLOO](#)