

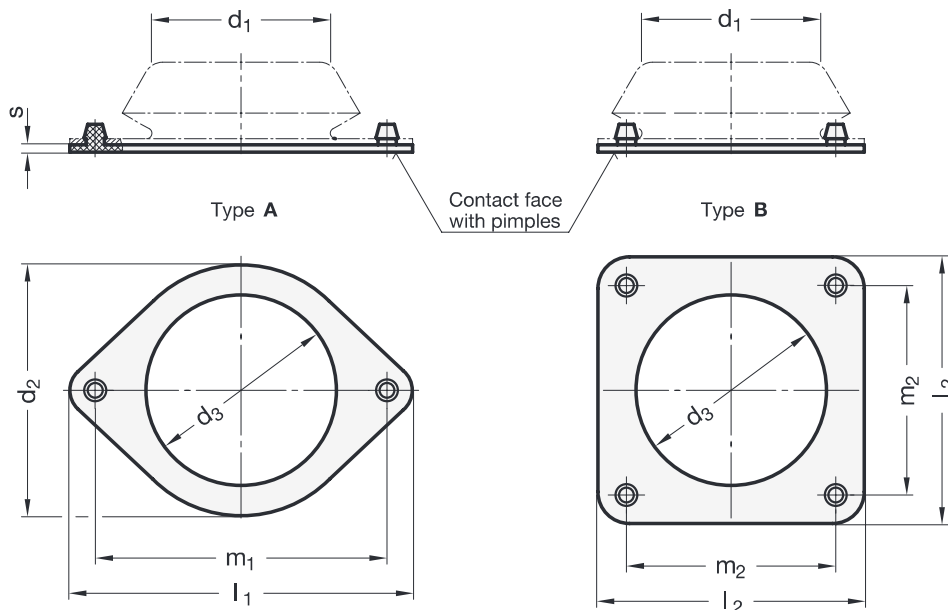
GN 148.2

Rubber pads

- **Pad**
NBR Rubber, hardness 68 Shore, black colour, oil resistant.
- **Standard versions available**
 - Type **A**: for levelling elements with two hole flange ($d_1 = 60 / 90 / 113$).
 - Type **B**: for levelling elements with four hole flange ($d_1 = 113 / 126$).

Features and applications

Rubber pads GN 148.2 in connection with GN 148 levelling element are used for setting up machines and units if no firm bolt connection to the ground is required. To be fixed to the levelling foot, they are snapped into the attachment bore holes of the flanges. Small pimples at the bottom face of the rubber pads enhance the stability.



Standard Elements	Main dimensions								Δ
Description	l_1	l_2	d_1^*	d_2	d_3	m_1	m_2	s	g
GN 148.2-128-A	128	-	60	78	65	110	-	3	13
GN 148.2-170-A	170	-	90	110	90	140	-	3	29
GN 148.2-216-A	216	-	113	150	12	184	-	4	55
GN 148.2-168-B	-	168	113	-	120	-	132	4	88
GN 148.2-184-B	-	184	126	-	150	-	150	4	88

* Diameter of the levelling elements GN 148

X-ON Electronics

Largest Supplier of Electrical and Electronic Components

Click to view similar products for [Mounting Fixings](#) category:

Click to view products by [Elesa & Ganter](#) manufacturer:

Other Similar products are found below :

[5912235-2](#) [007310](#) [007541](#) [6-141-P](#) [620HA038NF09](#) [620HA038NF11](#) [CTJ420E028-513](#) [M81714/60-12-01](#) [M81714/60-22-01](#) [L/C](#)
[MA1EAF1200](#) [70-584649-01P](#) [71-074914-006](#) [71-215091-8S](#) [712HA170B23128-N](#) [71-344699-4S](#) [71-441549-19S](#) [71-441864-5S](#) [71-](#)
[490451-4H](#) [EX-13-3-B-16-325PN](#) [75-69116-8S](#) [75-69211-3P](#) [75-69220-27S](#) [75-69224-5S](#) [75-69614-2S](#) [770-006A109](#) [770-006A109R](#) [770-](#)
[006A207](#) [770-006A208W1](#) [770-006A209](#) [770-006A306](#) [770-006A703W1](#) [770-006A704](#) [770-006A704W1](#) [770-006A705](#) [770-006A706](#)
[770-006A706W1](#) [770-006A707](#) [770-006A709](#) [770-007A203](#) [770-007A203W1](#) [770-007A204W1](#) [770-007A207W1](#) [770-007A703](#) [770-](#)
[007A704W1](#) [770-007A706](#) [770-007A707W1](#) [770-010Y208](#) [770-010Y308](#) [770-010Y705](#) [770-010Y706](#)