



# GN 237-extended

## Hinges

Zinc die casting / Stainless Steel, extended, horizontally elongated



### Specification

#### Types

- Type **A**: 2x2 bores for countersunk screws
- Type **C**: 2x2 threaded studs

#### Version in Zinc die casting **ZD**

Zinc die casting

plastic coated

black, RAL 9005, textured finish **SW**

silver, RAL 9006, textured finish **SR**

Pin, Stainless Steel AISI 303 (A2)

Threaded stud (type C)

Stainless Steel AISI 316

#### Version in Stainless Steel (only type A) **NI**

- AISI CF-8
- matt shot-blasted **GS**

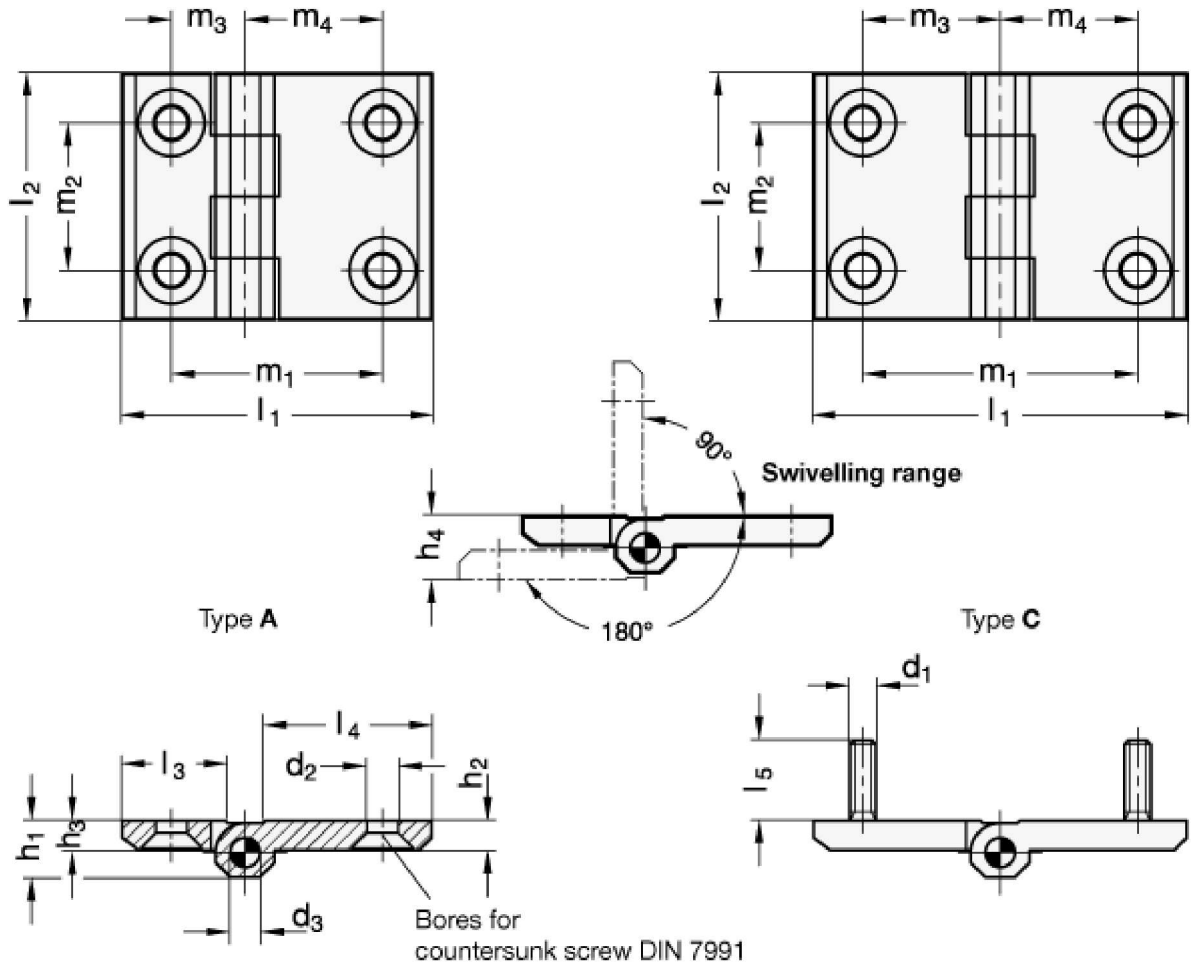
Pin, Stainless Steel AISI 316Ti (A4)

### Information

Hinges GN 237 with extended hinge wings are made in a compact and sturdy design. They are used when larger spacings are required for the attachment bore holes.

### Technical information

- [Stainless Steel characteristics](#)
- [Load rating information of hinges](#)
- [List of hinges types](#)



- Black (RAL 9005) Black
- Silver (RAL 9006) Silver

**GN 237-ZD**

Description	l <sub>1</sub>	l <sub>2</sub>	d <sub>1</sub>	d <sub>2</sub>	d <sub>3</sub>	h <sub>1</sub>	h <sub>2</sub>	h <sub>3</sub>	h <sub>4</sub> +0.5	l <sub>3</sub>	l <sub>4</sub>	l <sub>5</sub>	m <sub>1</sub>	m <sub>2</sub>	m <sub>3</sub>	m <sub>4</sub>	Weight
<b>GN 237-ZD-63-50-A-SW</b>	63	50	-	6.3	6	11.5	6	6.5	13	18.5	31.5	-	43	30	15	28	100
<b>GN 237-ZD-63-50-A-SR</b>	63	50	-	6.3	6	11.5	6	6.5	13	18.5	31.5	-	43	30	15	28	104
<b>GN 237-ZD-63-50-C-SW</b>	63	50	M 6	-	6	11.5	6	6.5	13	18.5	31.5	12	43	30	15	28	119
<b>GN 237-ZD-63-50-C-SR</b>	63	50	M 6	-	6	11.5	6	6.5	13	18.5	31.5	12	43	30	15	28	120
<b>GN 237-ZD-76-50-A-SW</b>	76	50	-	6.3	6	11.5	6	6.5	13	31.5	31.5	-	56	30	28	28	130
<b>GN 237-ZD-76-50-A-SR</b>	76	50	-	6.3	6	11.5	6	6.5	13	31.5	31.5	-	56	30	28	28	122
<b>GN 237-ZD-76-50-C-SW</b>	76	50	M 6	-	6	11.5	6	6.5	13	31.5	31.5	12	56	30	28	28	145
<b>GN 237-ZD-76-50-C-SR</b>	76	50	M 6	-	6	11.5	6	6.5	13	31.5	31.5	12	56	30	28	28	139
<b>GN 237-ZD-90-60-A-SW</b>	90	60	-	8.4	8	15	8	8.5	17	21.5	51.5	-	63	36	18	45	240
<b>GN 237-ZD-90-60-A-SR</b>	90	60	-	8.4	8	15	8	8.5	17	21.5	51.5	-	63	36	18	45	237
<b>GN 237-ZD-90-60-C-SW</b>	90	60	M 8	-	8	15	8	8.5	17	21.5	51.5	14	63	36	18	45	277
<b>GN 237-ZD-90-60-C-SR</b>	90	60	M 8	-	8	15	8	8.5	17	21.5	51.5	14	63	36	18	45	278
<b>GN 237-ZD-120-60-A-SW</b>	120	60	-	8.4	8	15	8	8.5	17	51.5	51.5	-	90	36	45	45	313
<b>GN 237-ZD-120-60-A-SR</b>	120	60	-	8.4	8	15	8	8.5	17	51.5	51.5	-	90	36	45	45	312
<b>GN 237-ZD-120-60-C-SW</b>	120	60	M 8	-	8	15	8	8.5	17	51.5	51.5	14	90	36	45	45	364
<b>GN 237-ZD-120-60-C-SR</b>	120	60	M 8	-	8	15	8	8.5	17	51.5	51.5	14	90	36	45	45	362

**GN 237-NI**

Description	l <sub>1</sub>	l <sub>2</sub>	d <sub>2</sub>	d <sub>3</sub>	h <sub>1</sub>	h <sub>2</sub>	h <sub>3</sub>	h <sub>4</sub> +0.5	l <sub>3</sub>	l <sub>4</sub>	m <sub>1</sub>	m <sub>2</sub>	m <sub>3</sub>	m <sub>4</sub>	Weight
<b>GN 237-NI-63-50-A-GS</b>	63	50	6.3	6	11.5	6	6.5	13	18.5	31.5	43	30	15	28	132
<b>GN 237-NI-76-50-A-GS</b>	76	50	6.3	6	11.5	6	6.5	13	31.5	31.5	56	30	28	28	154
<b>GN 237-NI-90-60-A-GS</b>	90	60	8.4	8	15	8	8.5	17	21.5	51.5	63	36	18	45	287
<b>GN 237-NI-120-60-A-GS</b>	120	60	8.4	8	15	8	8.5	17	51.5	51.5	90	36	45	45	369

## X-ON Electronics

Largest Supplier of Electrical and Electronic Components

*Click to view similar products for [Mounting Fixings](#) category:*

*Click to view products by [Elesa & Ganter](#) manufacturer:*

Other Similar products are found below :

[5912235-2](#) [007310](#) [007541](#) [6-141-P](#) [620HA038NF09](#) [620HA038NF11](#) [CTJ420E028-513](#) [M81714/60-12-01](#) [M81714/60-22-01](#) [L/C](#)  
[MA1EAF1200](#) [70-584649-01P](#) [71-074914-006](#) [71-215091-8S](#) [712HA170B23128-N](#) [71-344699-4S](#) [71-441549-19S](#) [71-441864-5S](#) [71-](#)  
[490451-4H](#) [EX-13-3-B-16-325PN](#) [75-69116-8S](#) [75-69211-3P](#) [75-69220-27S](#) [75-69224-5S](#) [75-69614-2S](#) [770-006A109](#) [770-006A109R](#) [770-](#)  
[006A207](#) [770-006A208W1](#) [770-006A209](#) [770-006A306](#) [770-006A703W1](#) [770-006A704](#) [770-006A704W1](#) [770-006A705](#) [770-006A706](#)  
[770-006A706W1](#) [770-006A707](#) [770-006A709](#) [770-007A203](#) [770-007A203W1](#) [770-007A204W1](#) [770-007A207W1](#) [770-007A703](#) [770-](#)  
[007A704W1](#) [770-007A706](#) [770-007A707W1](#) [770-010Y208](#) [770-010Y308](#) [770-010Y705](#) [770-010Y706](#)