



# GN 342.1

## Levelling feet

with vibration damping / female thread



### Specification

#### Type

- Type **SV**: with damping element

Steel

- Tensile strength class 5.8
- zinc plated, blue passivated

Damping element

Elastomer (PUR)

- Sylomer SR 450-12
- anti-slip, glued
- grey
- oil resistant
- Operating range from -30 °C up to 70 °C

Hexagon nut ISO 4032

Steel zinc plated, blue passivated

### Information

The specified load in the table of the levelling feet GN 342.1 is a recommendation up to which the damping element can be **permanently** subjected.

This static load equals a thrust on the area of 0.4 N/mm<sup>2</sup> at which the damping material reaches its optimum dynamic damping ability. This also takes into account an additional load up to 0.6 N/mm<sup>2</sup> in the event of a dynamic load.

Levelling feet GN 342.1 cannot be disassembled.

### Technical information

- [Elastomer characteristics](#)
- [Strength values](#)

### Vibration absorption - Performance graph

When using levelling feet GN 342.1 the following differentiation in vibration absorption is made:

Active vibrations:

Vibrations transmitted to surroundings or associated equipment from working machinery for example.

Passive vibrations:

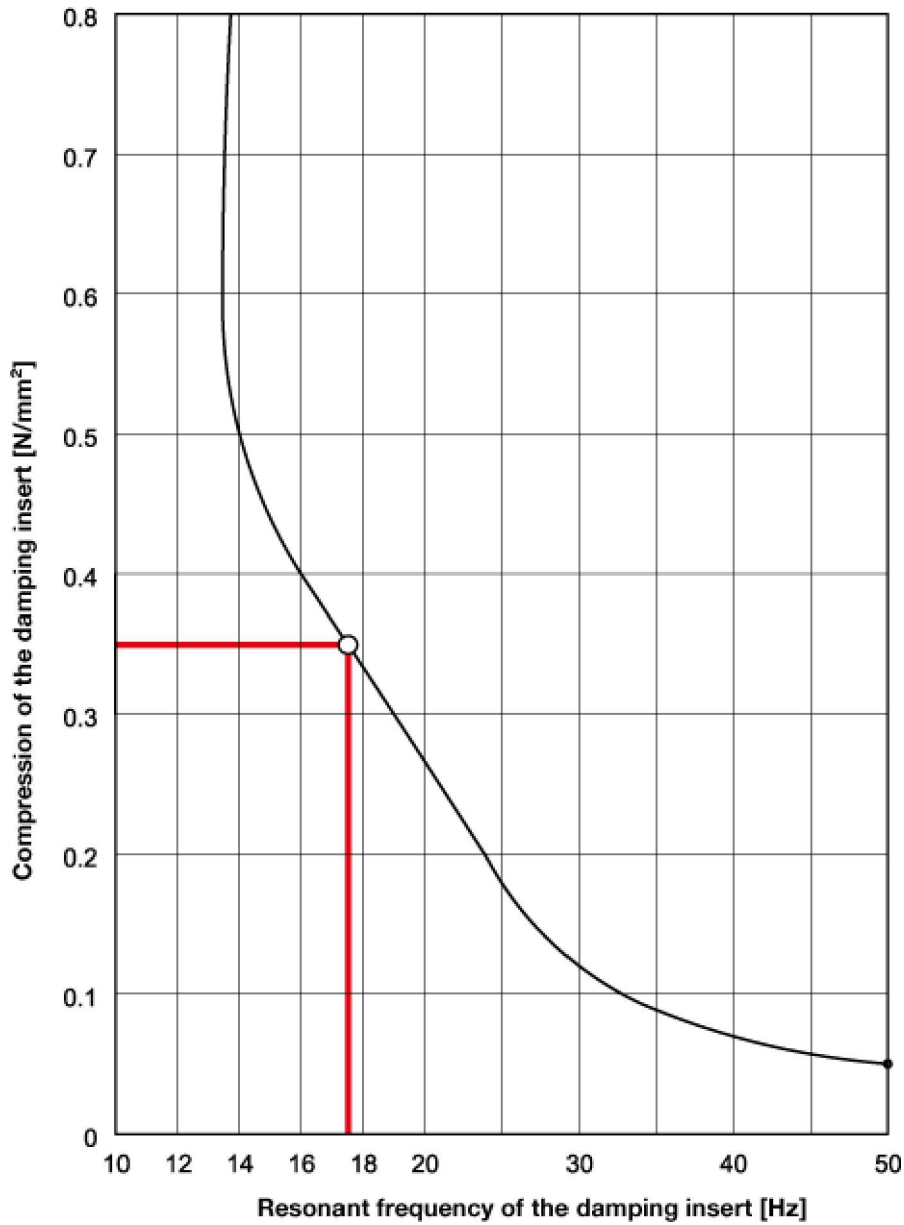
Vibrations transmitted to equipment or parts from vibrating surroundings or bases.

The efficiency of vibration absorption is dependent upon the interference frequency of the vibration to be absorbed as well as on the resonant frequency of the damping element itself.

A vibration absorbing effect is only achieved when the interference frequency is greater than  $\sqrt{2}$ -times the resonant frequency of the damping element. The greater the difference  $[\Delta]$  between the two, the better the damping effect.

The resonant frequency of the damping pad is dependant upon type (composition) of the material cross section and the static load.

The graphs on the left show all the required data of the standard material (SR 450-12) of the damping element. Damping elements with other absorption properties are available on request.



### Example

Assume a load per levelling foot: 400 N

Compression levelling foot  $d_1 = 32$

$$400 \text{ N} / 707 \text{ mm}^2 = 0.57 \text{ N/mm}^2$$

Compression levelling foot  $d_1 = 40$

$$400 \text{ N} / 11340 \text{ mm}^2 = 0.34 \text{ N/mm}^2$$

Therefore levelling feet with  $d_1 = 40$ , that exert a pressure of  $0.4 \text{ N/mm}^2$  should be preferred.

The above graph shows:

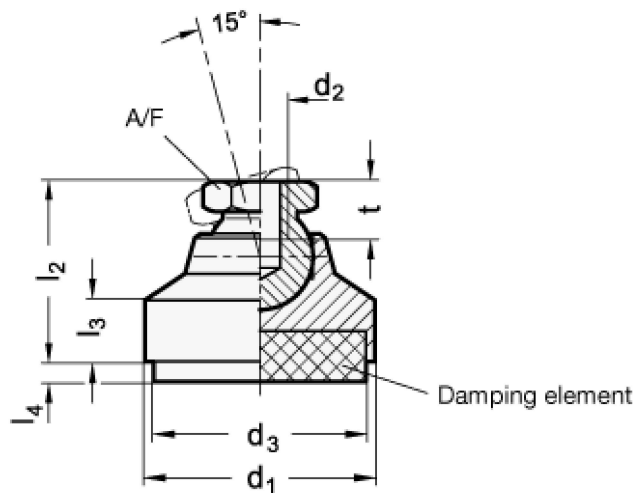
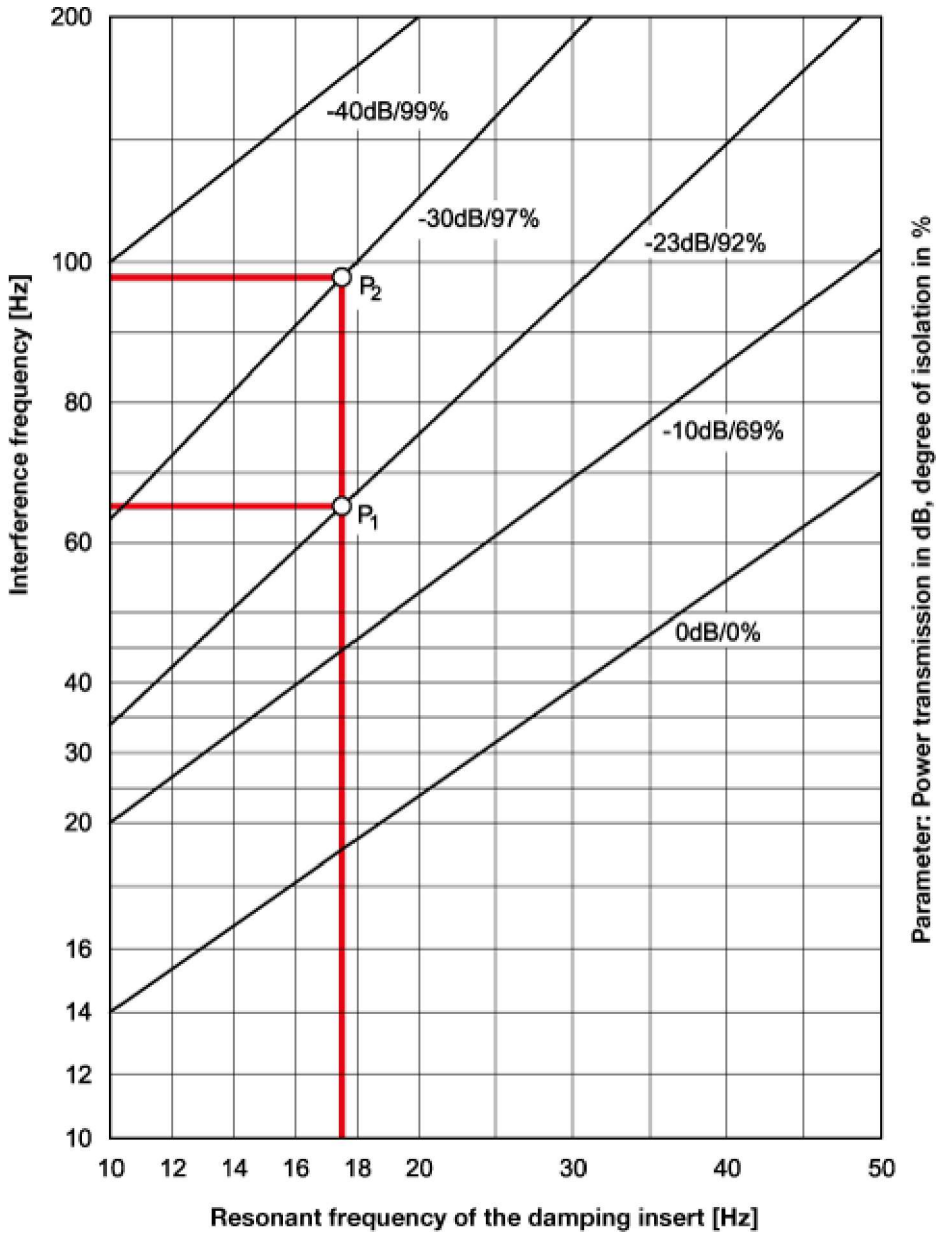
Resonant frequency with compression  $0.34 \text{ N/mm}^2$ : 17.5 Hz

The lower graph shows:

Degree of isolation at 66 Hz interference frequency (P1): 92 %

Degree of isolation at 98 Hz interference frequency (P2): 97 %

At approximately 200 Hz interference frequency the degree of isolation is 100 %.



## GN 342.1

Description	d <sub>1</sub>	d <sub>2</sub>	d <sub>3</sub>	l <sub>2</sub>	l <sub>3</sub>	l <sub>4</sub> Compression in N/mm <sup>2</sup> 0	l <sub>4</sub> Compression in N/mm <sup>2</sup> 0.4	l <sub>4</sub> Compression in N/mm <sup>2</sup> 0.6	A/F	t	Area damping element in mm <sup>2</sup>	Load in N by compression 0.4 N/mm <sup>2</sup>	Weight
<b>GN 342.1-32-M10-SV</b>	32	M 10	30	29	11	5.5	3.8	2.7	15	10.5	707	280	65
<b>GN 342.1-40-M12-SV</b>	40	M 12	38	30	9.5	6	4.3	3.3	17	11.5	1134	450	92
<b>GN 342.1-50-M12-SV</b>	50	M 12	48	30.5	9	6.5	4.9	3.9	17	11.5	1809	720	137
<b>GN 342.1-60-M16-SV</b>	60	M 16	58	37.5	10	7	5.5	4.4	24	16	2641	1050	275

## X-ON Electronics

Largest Supplier of Electrical and Electronic Components

*Click to view similar products for [Mounting Fixings](#) category:*

*Click to view products by [Elesa & Ganter](#) manufacturer:*

Other Similar products are found below :

[5912235-2](#) [007310](#) [007541](#) [6-141-P](#) [620HA038NF09](#) [620HA038NF11](#) [CTJ420E028-513](#) [M81714/60-12-01](#) [M81714/60-22-01](#) [L/C](#)  
[MA1EAF1200](#) [70-584649-01P](#) [71-074914-006](#) [71-215091-8S](#) [712HA170B23128-N](#) [71-344699-4S](#) [71-441549-19S](#) [71-441864-5S](#) [71-](#)  
[490451-4H](#) [EX-13-3-B-16-325PN](#) [75-69116-8S](#) [75-69211-3P](#) [75-69220-27S](#) [75-69224-5S](#) [75-69614-2S](#) [770-006A109](#) [770-006A109R](#) [770-](#)  
[006A207](#) [770-006A208W1](#) [770-006A209](#) [770-006A306](#) [770-006A703W1](#) [770-006A704](#) [770-006A704W1](#) [770-006A705](#) [770-006A706](#)  
[770-006A706W1](#) [770-006A707](#) [770-006A709](#) [770-007A203](#) [770-007A203W1](#) [770-007A204W1](#) [770-007A207W1](#) [770-007A703](#) [770-](#)  
[007A704W1](#) [770-007A706](#) [770-007A707W1](#) [770-010Y208](#) [770-010Y308](#) [770-010Y705](#) [770-010Y706](#)