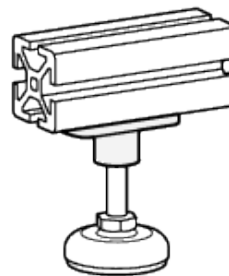
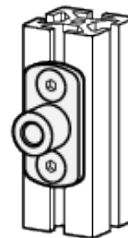
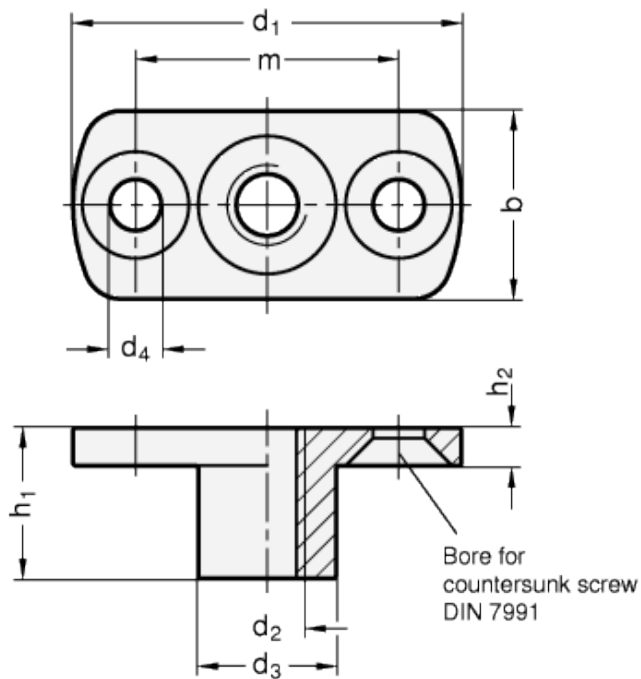


# GN 3490

Threaded flanges



## technical informations

### Specification

Steel fine casting  
- zinc plated, blue passivated ZB  
- zinc plated and plastic coated  
black, RAL 9005, textured finish SW

### Information

Threaded flanges for profile systems (GN 965 / GN 968) GN 3490 are used in connection with T-slot profile systems and allow elements to be assembled on or underneath the profiles, e.g. levelling feet.

Depending on the threaded flange, thread size and thread depth dimensions that are available can exceed the dimensions of the profile groove

| Standard Elements    | Main dimensions |                |                |    |                |                |                |    | Weight |
|----------------------|-----------------|----------------|----------------|----|----------------|----------------|----------------|----|--------|
| Description          | d <sub>1</sub>  | d <sub>2</sub> | h <sub>1</sub> | b  | d <sub>3</sub> | d <sub>4</sub> | h <sub>2</sub> | m  | g      |
| GN 3490-45-M6-16-ZB  | 45              | M6             | 16             | 25 | 15             | M6             | 6              | 30 | -      |
| GN 3490-45-M8-16-ZB  | 45              | M8             | 16             | 25 | 15             | M6             | 6              | 30 | -      |
| GN 3490-60-M10-24-ZB | 60              | M10            | 24             | 30 | 21.5           | M8             | 6              | 40 | -      |
| GN 3490-60-M12-24-ZB | 60              | M12            | 24             | 30 | 21.5           | M8             | 6              | 40 | -      |
| GN 3490-45-M6-16-SW  | 45              | M6             | 16             | 25 | 15             | M6             | 6              | 30 | -      |
| GN 3490-45-M8-16-SW  | 45              | M8             | 16             | 25 | 15             | M6             | 6              | 30 | -      |
| GN 3490-60-M10-24-SW | 60              | M10            | 24             | 30 | 21.5           | M8             | 6              | 40 | -      |
| GN 3490-60-M12-24-SW | 60              | M12            | 24             | 30 | 21.5           | M8             | 6              | 40 | -      |



STANDARD MACHINE ELEMENTS WORLDWIDE

## X-ON Electronics

Largest Supplier of Electrical and Electronic Components

*Click to view similar products for [Electrical Enclosure Accessories](#) category:*

*Click to view products by [Elesa & Ganter](#) manufacturer:*

Other Similar products are found below :

[60121-06-028 C-325 Black](#) [71884-04-028 CM3-100 Black](#) [71884-18-028 LH43-200 Black](#) [71884-24-028 LH75-200 Black](#) [71885-01-028 CM6-150 Black](#) [72459-02-028 DM-3 BLACK](#) [81501-01-000 XPL, 9VB Black](#) [82402-01 PT-8 ALUM](#) [1335GSKT3](#) [14101FP-PK](#) [CB-1263-BT](#) [1611512-4](#) [HB-11498](#) [RC-7775](#) [HM BLACK PANEL](#) [61033-01-000](#) [115123-01-508 CN-RL RS](#) [115124-01-508 CN-XRL XRS](#) [115119-01-000 CN-RL RS](#) [115123-01-000 CN-RL RS](#) [60121-04-028 C-275 Black](#) [60128-01-072](#) [60222-01-028 CM6-225 Black](#) [60272-01-028 CM3-150 Black](#) [60851-01-028 CM69-120 Black](#) [62291-502-000-KEU-10-BLK](#) [62452-01-000 HML-9VB, EB Black](#) [71884-25-028 LH89-130 Black](#) [AXX2POSTBRCKT](#) [FUPMESK](#) [71884-23-028 LH75-130 Black](#) [1317GSKTSC](#) [8G813V40389](#) [DVA.1-10-15-M4-10-70](#) [DVC.1-60-49-60-M10-28-55](#) [DVC.1-15-8,5-15-M4-10-40](#) [DVC.1-20-12-30-M6-18-40](#) [DVC.1-30-18-25-M8-20-40](#) [DVC.1-35-31-15-M8-20-40](#) [DVC.1-35-31-15-M8-20-70](#) [DVC.1-75-60-40-M12-37-70](#) [DVC.2-30-22-20-M8-20-55](#) [DVC.2-40-30-25-M8-23-55](#) [DVC.2-75-60-40-M12-37-55](#) [DVC.2-21-16-22-M6-18-40](#) [DVC.2-40-20-48-M8-23-40](#) [DVC.2-40-32-50-M8-23-40](#) [DVC.2-20-14-19-M6-18-70](#) [DVC.2-25-18-20-M6-18-70](#) [DVC.3-20-14-20-M6-40](#) [DVC.3-20-14-30-M6-40](#)