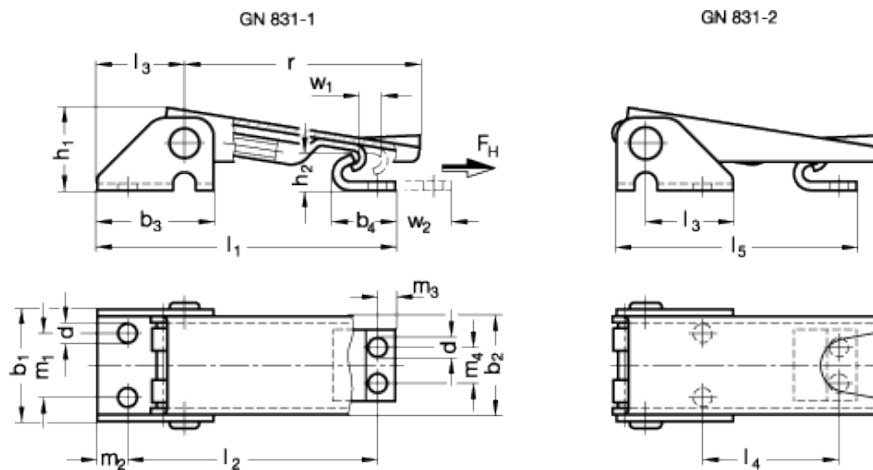


# GN 831

Hook clamps



## technical informations

### Material

Zinc-plated steel, blue passivated.

- Version A: without safety catch.
- Version S: with self-locking safety catch.
- Version SV: for safety with padlock.

### Features and applications

GN 831 hook clamps are used for the secure holding of flaps, container lids, etc. The clamping action locks securely on the centre and thus they are vibration proof. The self-locking safety catch avoids any undesired releases of the toggle clamp. The load values specified in the here-under table are simply guideline values for a nominal static pulling force which the hook can bear. The pulling force can be adversely affected according to the conditions under which the hook lock clamps are used (vibrations, shock loads, etc).

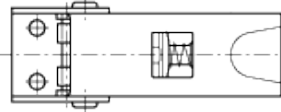
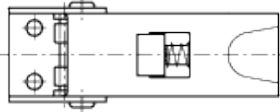
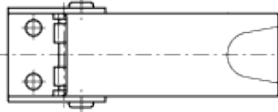
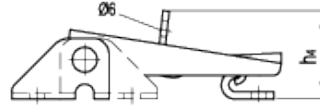
GN 831-A



GN 831-S



GN 831-SV



Standard Elements	Main dimensions																			Stroke	Adjustable range	Holding force	Weight
Description	b <sub>1</sub>	b <sub>2</sub>	b <sub>3</sub>	b <sub>4</sub>	d	h <sub>1</sub>	h <sub>2</sub>	h <sub>3</sub>	h <sub>4</sub>	l <sub>1</sub> min.	l <sub>2</sub> min.	l <sub>3</sub>	l <sub>4</sub> min.	l <sub>5</sub> min.	m <sub>1</sub>	m <sub>2</sub>	m <sub>3</sub>	m <sub>4</sub>	r	w <sub>1</sub> ≈	w <sub>2</sub> ≈	FH [N]	g
GN 831-100-A-ST-*	25.5	22	26	14	4.2	18.5	8.5	21.5	25.5	67	56	19.5	31	54	14.3	7	4	8	51	5.5	12	1000	53
GN 831-100-S-ST-*	25.5	22	26	14	4.2	18.5	8.5	21.5	25.5	74	63	19.5	38	61	14.3	7	4	8	51	5.5	8	1000	56
GN 831-100-SV-ST-*	25.5	22	26	14	4.2	18.5	8.5	21.5	25.5	67	56	19.5	31	54	14.3	7	4	8	51	5.5	12	1000	55

\* Complete the description of the standard item needed by adding 1 (for long type) or 2 (for short type).



STANDARD MACHINE ELEMENTS WORLDWIDE

## X-ON Electronics

Largest Supplier of Electrical and Electronic Components

*Click to view similar products for [Mounting Fixings](#) category:*

*Click to view products by [Elesa & Ganter](#) manufacturer:*

Other Similar products are found below :

[5912235-2](#) [007310](#) [007541](#) [6-141-P](#) [620HA038NF09](#) [620HA038NF11](#) [CTJ420E028-513](#) [M81714/60-12-01](#) [M81714/60-22-01](#) [L/C](#)  
[MA1EAF1200](#) [70-584649-01P](#) [71-074914-006](#) [71-215091-8S](#) [712HA170B23128-N](#) [71-344699-4S](#) [71-441549-19S](#) [71-441864-5S](#) [71-](#)  
[490451-4H](#) [EX-13-3-B-16-325PN](#) [75-69116-8S](#) [75-69211-3P](#) [75-69220-27S](#) [75-69224-5S](#) [75-69614-2S](#) [770-006A109](#) [770-006A109R](#) [770-](#)  
[006A207](#) [770-006A208W1](#) [770-006A209](#) [770-006A306](#) [770-006A703W1](#) [770-006A704](#) [770-006A704W1](#) [770-006A705](#) [770-006A706](#)  
[770-006A706W1](#) [770-006A707](#) [770-006A709](#) [770-007A203](#) [770-007A203W1](#) [770-007A204W1](#) [770-007A207W1](#) [770-007A703](#) [770-](#)  
[007A704W1](#) [770-007A706](#) [770-007A707W1](#) [770-010Y208](#) [770-010Y308](#) [770-010Y705](#) [770-010Y706](#)