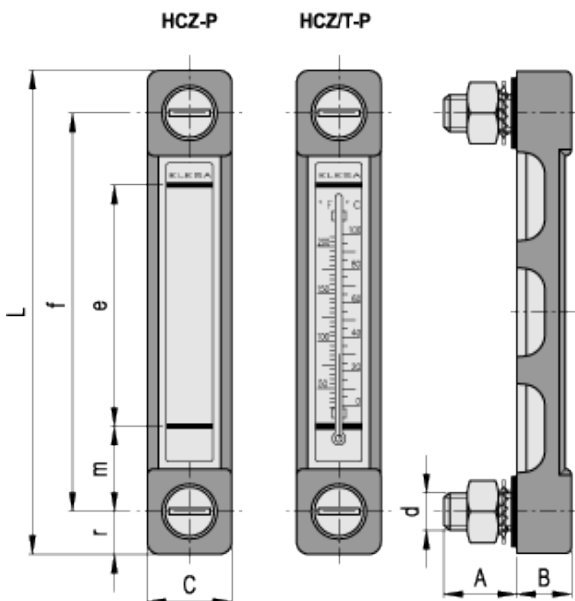
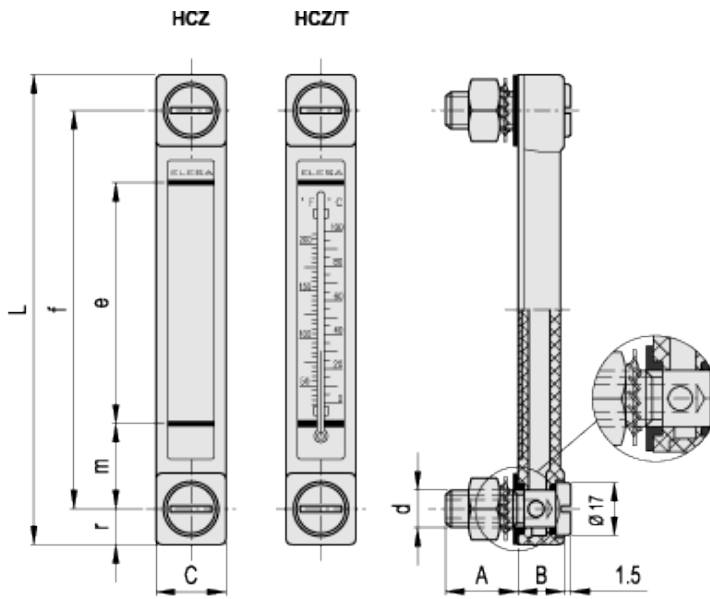


HCZ.

Column level indicators



ELESA Original design





technical informations

Material

Transparent polyamide based (PA-T) technopolymer. Resistant to shocks, solvents, oils with additives, aliphatic and aromatic hydrocarbons, petrol, naphtha, phosphoric esters. Avoid contact with alcohol and detergents containing alcohol.

Screws and nuts

Zinc-plated steel.

Packing rings

Step-shaped for the seal on the reservoir walls and NBR synthetic rubber O-ring screw underhead.

Contrast screen

White lacquered aluminium. The housing, in the appropriate external rear slot, guarantees the best protection from direct contact with fluid, avoiding yellowing effect due to the prolonged action of the fluid at high temperatures. It can be removed before installation to fit marks and words (for example MAX-MIN) in the needed positions.

Protection frame

Glass-fibre reinforced polyamide (PA) SUPER-technopolymer, black colour, matte finish. Resistant to solvents, oils, greases and other chemical agents. Supplied assembled, removable by a screwdriver.

Standard executions

- HCZ: without thermometer and without protection frame.
- HCZ/T: with thermometer incorporated, without protection frame.
- HCZ-P: without thermometer, with protection frame.
- HCZ/T-P: with thermometer incorporated and protection frame.

Assembly

- By means of the supplied set screws and nuts.
- By means of the supplied set screws, without nuts, by tapping the two holes in the reservoir walls, if they are thick enough. To ensure the best sealing of the O-rings it is recommended to apply the maximum torque on the nuts as reported in the table and a roughness of the gasket application surface $R_a = 3 \mu\text{m}$.

Maximum continuous working temperature

90°C (with oil).

Special executions on request

- HCZ.127: with M10 screws and nuts.
- UV resistant transparent technopolymer indicators.

Features and performances

The body of the indicator, entirely in transparent material, is assembled using ultrasound welding to guarantee a perfect seal. Maximum fluid level visibility even from side positions.

Level visibility and temperature reading magnified by lens effect.

All shocks are absorbed by the frame that transmits them directly onto the wall of the reservoir, since the indicator is suspended between the rubber packing rings.

The frame is equipped with a wide front opening and three slots on each side that, combined with the indicator made entirely of transparent material, guarantee maximum fluid level visibility even from side positions.

Technical data

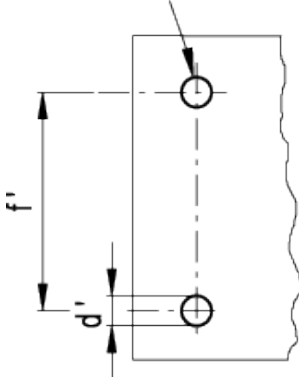
In laboratory tests carried out with mineral oil type CB68 (according to ISO 3498) at 23°C for a limited period of time, the weld stood up as follows:

- HCZ.76 18 bar
- HCZ.127 18 bar

If you need to use the indicator with other oils or fluids and under different pressure and temperature conditions, please contact ELESA Technical Department. In any case we suggest to verify the suitability of the product under the actual working conditions.

Drilling template

Holes without burrs and chamfer



Standard Elements		Main dimensions										Mounting holes		Thermometer scale		C #	Weight
Code	Description	f	d	A	B	C	L	e	m	r	d' $_{-0.2}$	f' $_{\pm 0.2}$	°C	°F	[Nm]	g	
11382	HCZ.76	76	M10	22	15	22	99	40	18	11.5	10.5	76	-	-	12	90	
11383	HCZ.76/T	76	M10	22	15	22	99	40	18	11.5	10.5	76	20÷100	68÷210	12	91	
11385	HCZ.127	127	M12	22	15	22	150	80	23	11.5	12.5	127	-	-	12	120	
11386	HCZ.127/T	127	M12	22	15	22	150	80	23	11.5	12.5	127	0÷100	32÷210	12	121	
11388	HCZ.254	254	M12	22	15	22	279	160	23	12.5	12.5	254	-	-	6	150	
11389	HCZ.254/T	254	M12	22	15	22	279	160	23	12.5	12.5	254	0÷100	32÷100	6	170	
11392	HCZ.76-P	76	M10	22	17.5	27	105	40	18	14.5	10.5	76	-	-	12	101	
11393	HCZ.76/T-P	76	M10	22	17.5	27	105	40	18	14.5	10.5	76	20÷100	68÷210	12	102	
11395	HCZ.127-P	127	M12	22	17.5	27	156	80	23	14.5	12.5	127	-	-	12	138	
11396	HCZ.127/T-P	127	M12	22	17.5	27	156	80	23	14.5	12.5	127	0÷100	32÷210	12	139	
11398	HCZ.254-P	254	M12	22	17.5	27	285	160	23	15.5	12.5	254	-	-	6	150	
11399	HCZ.254/T-P	254	M12	22	17.5	27	285	160	23	15.5	12.5	254	0÷100	32÷210	6	150	

Maximum tightening torque.



ELESA and GANTER models all rights reserved in accordance with the law. Always mention the source when reproducing our drawings.

STANDARD MACHINE ELEMENTS WORLDWIDE

X-ON Electronics

Largest Supplier of Electrical and Electronic Components

Click to view similar products for [Other Tools](#) category:

Click to view products by [Elesa & Ganter](#) manufacturer:

Other Similar products are found below :

[CR-05FL7--150R](#) [CR-05FL7--698K](#) [899-2-KT46](#) [899-5-KT46](#) [CR-0AFL4--332K](#) [CR-12FP4--260R](#) [5718X-01PD-19RO](#)
[CRCW04021100FRT7](#) [CRCW04021961FRT7](#) [5800-0090](#) [CRCW04024021FRT7](#) [CRCW040254R9FRT7](#) [CRCW0603102JRT5](#) [59065-5](#) [00-8273-RDPP](#) [00-8729-WHPP](#) [593033](#) [593058](#) [593072](#) [593564100](#) [593575](#) [593591](#) [593593](#) [LTLA506SBLAMNBL](#) [CRCW08052740FRT1](#)
[LUC-012S070DSM](#) [LUC-018S070DSP](#) [599-2021-3-NME](#) [599-JJ-2021-03](#) [00-5080-YWPP](#) [5E4750/01-20R0-T/R](#) [LW1A-L1-GD](#) [LW1A-L1-GL](#) [LW1A-P1-GD](#) [LW1L-A1C10V-GL](#) [LW1L-M1C70-A](#) [0202-0173](#) [00-9089-RDPP](#) [CRCW2010331JR02](#) [01-1003W-8/32-10](#) [601-GP-08-KT39](#) [601-JJ-06](#) [601-SPB](#) [601YSY](#) [602-JJ-03](#) [602SPB](#) [602Z](#) [603-JJ-07-FP](#) [603-JJY-04](#) [604J](#)