

**Crimping contact
HDC-C-HE-BM1.5AG**

Weidmüller Interface GmbH & Co. KG
Klingenbergstraße 16
D-32758 Detmold
Germany
Fon: +49 5231 14-0
Fax: +49 5231 14-2083
www.weidmueller.com



Crimps provide a electrical and mechanical connection between wire and contact that is both secure and reliable. The optimal crimp connection is gas-tight and corrosion-resistant.

General ordering data

Order No.	1201300000
Type	HDC-C-HE-BM1.5AG
Version	Heavy Duty Connectors, Contact, HE, HEE, HQ, MixMate, CM HE, CM BUS (CSB), Female, Conductor cross-section, max.: 1.5, turned, Copper alloy
GTIN (EAN)	4008190100346
Qty.	100 pc(s).

**Crimping contact
HDC-C-HE-BM1.5AG**

Weidmüller Interface GmbH & Co. KG
 Klingenbergstraße 16
 D-32758 Detmold
 Germany
 Fon: +49 5231 14-0
 Fax: +49 5231 14-2083
 www.weidmueller.com

Technical data
Dimensions

Net weight	1.63 g	Diameter	4.5 mm
------------	--------	----------	--------

General data

Contact diameter, male Ø	2.5 mm	Production methods	turned
Stripping length, rated connection	7.5 mm	Type	Female
Type of connection	Crimp connection	Material	Copper alloy
Surface finish	silver	Volume resistance	≤ 2mΩ

Classifications

ETIM 2.0	EC000796	ETIM 3.0	EC000796
UNSPSC	30-21-18-01	eClass 4.1	27-14-08-05
eClass 5.1	27-14-34-19	eClass 6.0	27-26-12-02
eClass 7.0	27-44-02-04		

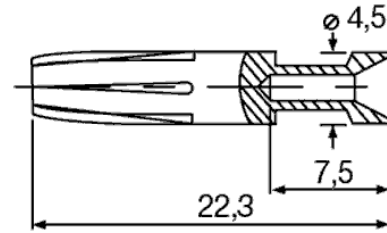
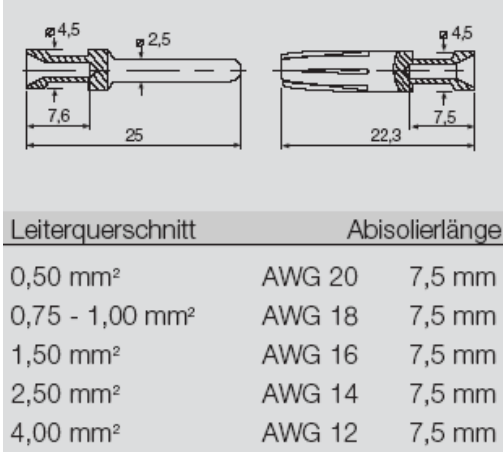
Product information

Descriptive text accessories	For further accessories, see chapter J - tools, see chapter K
------------------------------	---

**Crimping contact
HDC-C-HE-BM1.5AG**

Weidmüller Interface GmbH & Co. KG
 Klingenbergstraße 16
 D-32758 Detmold
 Germany
 Fon: +49 5231 14-0
 Fax: +49 5231 14-2083
 www.weidmueller.com

Drawings



**Crimping contact
HDC-C-HE-BM1.5AG**

Weidmüller Interface GmbH & Co. KG
 Klingenbergstraße 16
 D-32758 Detmold
 Germany
 Fon: +49 5231 14-0
 Fax: +49 5231 14-2083
 www.weidmueller.com

Accessories

Non-contact tools



Tools for dismantling Weidmüller crimp contacts

General ordering data

Order No.	Type	Version	GTIN (EAN)	Qty.
1866750000	Removal Tool HE	Heavy Duty Connectors, Tools, Contact removal tool	4032248437078	1 pc(s).

... for milled contacts



Crimping tools for turned contacts

- Ratchet guarantees precise crimping
- Release option in the event of incorrect operation
- With stop for exact positioning of the contacts.

General ordering data

Order No.	Type	Version	GTIN (EAN)	Qty.
9205430000	CTIN CM 1.6/2.5	Crimping tool for contacts, Turned contacts, Crimping range, min.: 0.14, 4-indent crimp	4032248733446	1 pc(s).

**Crimping contact
HDC-C-HE-BM1.5AG**

Weidmüller Interface GmbH & Co. KG
Klingenbergstraße 16
D-32758 Detmold
Germany
Fon: +49 5231 14-0
Fax: +49 5231 14-2083
www.weidmueller.com

Accessories**Crimping tools**

Weidmüller offers a variety of crimping tools, no-contact tools, and fibre optic tools.

General ordering data

Order No.	Type	Version	GTIN (EAN)	Qty.
9018490000	CTX CM 1.6/2.5	Crimping tool for contacts, Turned contacts, Crimping range, min.: 0.14, W crimp	4008190884598	1 pc(s).

X-ON Electronics

Largest Supplier of Electrical and Electronic Components

Click to view similar products for [Unspecified Connectors](#) category:

Click to view products by [Weidmuller](#) manufacturer:

Other Similar products are found below :

[1-21107-1](#) [2-21053-5](#) [PSC-28-1](#) [38111](#) [403000A10M050](#) [1-1589688-1](#) [770690-4](#) [QUINT-PS/1AC/48DC/10](#) [99 9113 02 05](#) [CA06COM-PG14SE7S-SPL](#) [578302](#) [578286](#) [130623](#) [186316](#) [153253](#) [186328](#) [153322](#) [153354](#) [193951](#) [1713941](#) [HC-DD72-I-CT-F](#) [RC-5AS2000](#) [RC-5CS2000](#) [RC-Z2068](#) [VC-TR5/6M](#) [RAD-900-CONF-RF1](#) [RAD-CON-SMA-N-SS](#) [RAD-ISM-900-ANT-OMNI-0-6](#) [RAD-PIG-EF316-N-RSMA](#) [KST-POF](#) [RIF-0-RPT-12DC/21](#) [RIF-1-BPT/2X21](#) [RIF-1-RPT-LV-120AC/2X21AU](#) [PV-FT-C2F-HSG](#) [HC-EVO-B06-HHFS-2B-PL-BK](#) [99 0210 00 04](#) [801377](#) [803579](#) [710-00007](#) [125.038-8](#) [135.016](#) [136.1612](#) [137.014](#) [137.015](#) [137.016](#) [138.015](#) [138.016](#) [2000 1/8](#) [2902021](#)
[259.02SB-25](#)