

DISPLAY Elektronik GmbH

DATA SHEET

LCD MODULE

DEM 16226 SYH-LY

Product Specification

Version: 1.1.0

07.10.2008

GENERAL SPECIFICATION

MODULE NO. :
DEM 16226 SYH-LY

CUSTOMER P/N

VERSION NO.	CHANGE DESCRIPTION	DATE
0	ORIGINAL VERSION	10.10.2005
1.1.0	CHANGE IC	07.10.2008

PREPARED BY: CHJ

DATE: 07.10.2008

APPROVED BY: MH

DATE: 07.10.2008

CONTENTS

1. FUNCTIONS & FEATURES -----2

2. MECHANICAL SPECIFICATIONS -----2

3. EXTERNAL DIMENSIONS-----2

4. BLOCK DIAGRAM -----3

5. PIN ASSIGNMENT -----3

6. PCB DRAWING -----4

7. BACKLIGHT ELECTRICAL/OPTICAL SPECIFICATIONS -----5

8. DISPLAY DATA RAM (DDRAM)-----5

9. MAXIMUM ABSOLUTE POWER RATINGS -----5

10.CONTROL AND DISPLAY COMMAND-----6

11.LCM INITIALIZING BY INSTRUCTION----- 10

12.STANDARD CHARACTER PATTERN ----- 12

13.ELECTRICAL CHARACTERISTICS ----- 13

14. LCD MODULES HANDLING PERCAUTIONS ----- 15

15. OTHERS ----- 15

1.FUNCTIONS & FEATURES

- LCD-NAME:

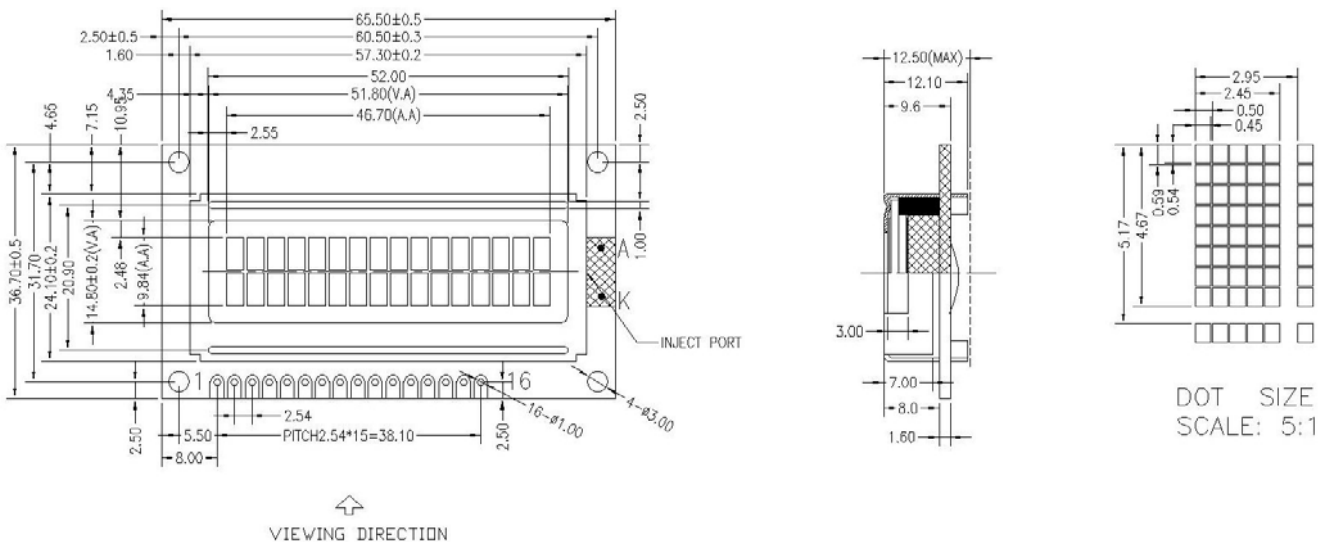
MODULE	LCD TECHNOLOGY	Polarizer Mode
DEM 16226 SYH-LY	STN Yellow/Green	Transflective Positive Mode

- Viewing Direction : 6 o'clock
- Driving Scheme : 1/16 Duty Cycle, 1/5 Bias
- Backlight : LED (Yellow/Green Lightbox)
- Power Supply Voltage : 5 Volt (typ.)
- VLCD Adjustable For Best Contrast : 4.5 Volt (typ.)
- Display contents : 16 x 2 Characters (5 x 8 dots, Format: 208 Kinds)
- Internal Memory : CGROM (10,080 bits)
: CGRAM (64 x 8 bits)
: DDRAM (80 x 8 bits for Digits)
- CGROM : CGROM of the SPLC780D1-001A
- Interface : Easy Interface with a 4-bit or 8-bit MPU

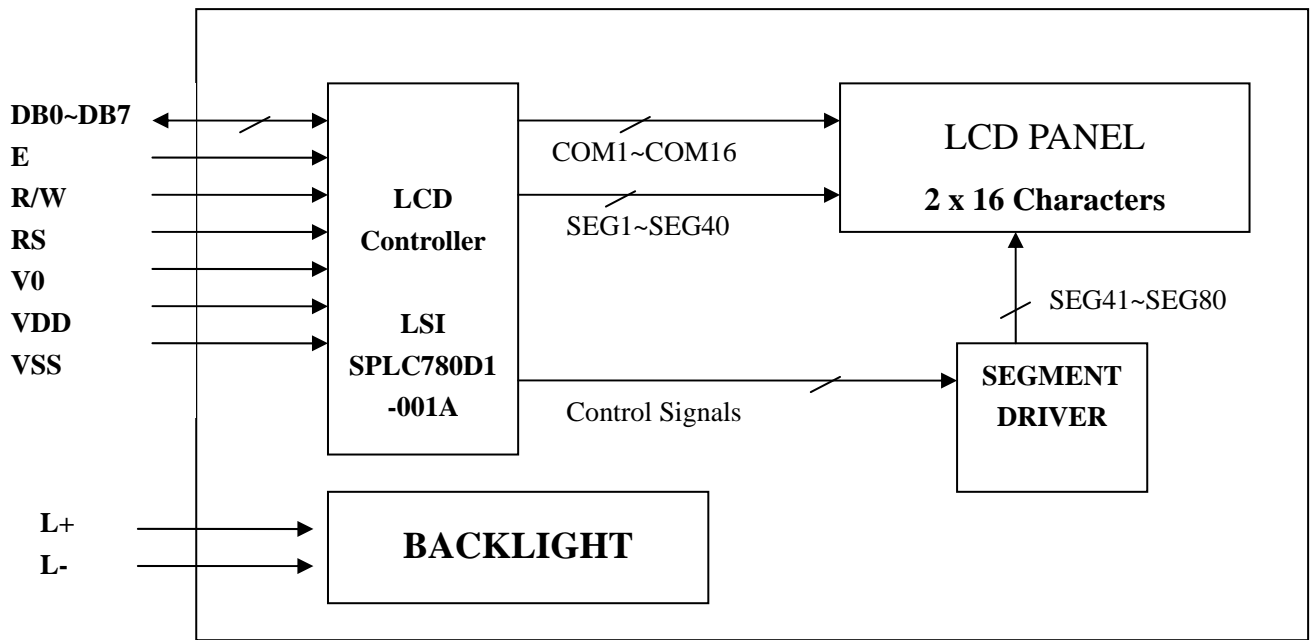
2. MECHANICAL SPECIFICATIONS

- Module Size : 65,5 x 36,7 x 12,5 mm (max.)
- Character Font : 5 x 8 dots
- Character Size : 2.45 x 4,67 mm
- Character Pitch : 2,95 x 5,17 mm
- Dot Size : 0.45 x 0.54 mm
- Dot Pitch : 0.50 x 0.59 mm
- Dot Gap : 0.05mm

3. EXTERNAL DIMENSIONS (unit: mm)



4. BLOCK DIAGRAM

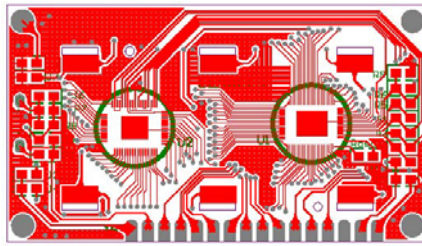


5. PIN ASSIGNMENT

Pin No.	Symbol	Function
1	VSS	Ground terminal of module.
2	VDD	Supply terminal of module 5.0V
3	V0	Power Supply for liquid crystal drive
4	RS	Register select RS=0: Instruction register; Rs=1: Data register
5	R/W	Read or Write Select Signal
6	E	Read/Write R/W=1: Read; R/W=0: Write
7	DB0	Bi-directional data bus, data transfer is performed once, thru DB0 to DB7, in the case of interface data length is 8-bits; and twice, through DB4 to DB7 in the case of interface data length is 4-bits. Upper four bits first then lower four bits.
8	DB1	
9	DB2	
10	DB3	
11	DB4	
12	DB5	
13	DB6	
14	DB7	
15	LED- (K)	Please also refer to 6.1 PCB drawing and description.
16	LED+(A)	

6. PCB DRAWING AND DESCRIPTION

6.1 PCB Drawing



Note: In application module: R1 ~ R5 = 2.2 kΩ, Rosc = 91 kΩ

6-1-1.The polarity of the pin 15 and the pin 16 (Description)

Symbol	Symbol State	J3,J5	J2, J4	LED Polarity	
				Pin 15	Pin 16
J2,J4	Each solder-bridge	Each open	Each closed	Anode	Cathode
J3,J5	Each solder-bridge	Each closed	Each open	Cathode	Anode

Note: On application module, J3=J5= closed, J2=J4= open.

6-1-2. The metal-bezel is set on ground when the J1 is closed .

Note: On application module, J1=0 Ohm.

6-1-3. The mouting holes are set to ground when the J7 is closed.

Note: On application module, J7=0 Ohm.

6-1-4.The LED resistor can be bridged when the J6 is closed.

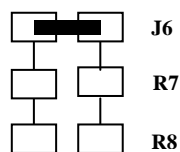
Note: On application module, J6=open.

6-1-5.The R7 and the R8 are the LED resistor.

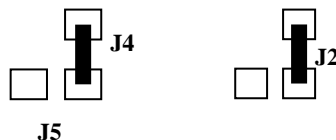
Note: On application module R7 = 10 Ω, R8 = open.

6.2 Example application

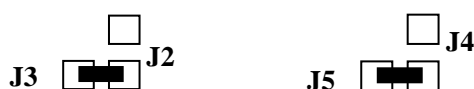
6-2-1. The LED resistor can be bridged as following:



6-2-2. The pin 15 is the Anode and the pin 16 is the Cathode as following:



6-2-3.The pin 15 is the Cathode and the pin 16 is the Anode as following:



7. BACKLIGHT ELECTRICAL/OPTICAL SPECIFICATIONS

Item	Symbol	Min.	Typ.	Max.	Unit
Forward Voltage	Vf	---	5	---	V
Forward Current	If	---	85	---	mA
Backlight Color	Yellow Green				

LCD Module with Yellow-Green LED-Lightbox.

ELECTRICAL RATINGS (Backlight component)

Ta = 25°C

Item	Symbol	Condition	Min	Typ	Max	Unit
Forward Voltage	VF	IF=90mA	4.0	4.2	4.4	V
Reverse Current	IR	VR=10.0V	---	90	---	uA
Luminous Intensity (Without LCD)	Lv	IF=90mA	---	160	---	cd/m ²
Peak wave length	λ_p	IF=90mA	569	572	575	nm
Color	Yellow-Green					

8. DISPLAY DATA RAM (DDRAM)

	1	2	3	4	5	6	7	8	9	10	11	12	13	14	15	16	← Display position
COM1	00	01	02	03	04	05	06	07	08	09	0A	0B	0C	0D	0E	0F	← DDRAM Address
COM8																	
COM9	40	41	42	43	44	45	46	47	48	49	4A	4B	4C	4D	4E	4F	
COM10																	

9. MAXIMUM ABSOLUTE POWER RATINGS

Item	Symbol	Standard value	Unit
Power supply voltage (1)	V _{DD}	-0.3 ~ +7.0	V
Power supply voltage (2)	V _{LCD}	V _{DD} -15.0 ~ V _{DD} +0.3	V
Input voltage	V _{IN}	-0.3 ~ V _{DD} +0.3	V
Volt. For BL	VLED1	4 ~ 4.5	V
Operating temperature	Topr	-20 ~ +70	°C
Storage temperature	Tstg	-30 ~ +80	°C

10. CONTROL AND DISPLAY COMMAND

Instruction	Instruction Code										Description Instruction Code	Execution time (fosc= 270kHz)	
	RS	R/W	DB7	DB6	DB5	DB4	DB3	DB2	DB1	DB0			
Clear Display	0	0	0	0	0	0	0	0	0	0	1	Write "20H" to DDRAM and set DDRAM address to "00H" from AC.	1.52 ms
Return Home	0	0	0	0	0	0	0	0	0	1	X	Set DDRAM address to "00H" from AC and return cursor to its original position if shifted.	1.52ms
Entry Mode set	0	0	0	0	0	0	0	0	1	I/D	SH	Assign cursor moving direction and enable the shift of entire display.	38us
Display ON/OFF Control	0	0	0	0	0	0	0	1	D	C	B	Set display (D), cursor(C), and blinking of cursor (B) on/off control bit.	38us
Cursor or Display shift	0	0	0	0	0	0	1	S/C	R/L	X	X	Set cursor moving and display shift control bit, and the direction without changing of DRAM data.	38us
Function set	0	0	0	0	0	1	DL	N	F	X	X	Set interface data length (DL:4-bit/8-bit), numbers of display line (N:1-line/2-line, display font type (F:0 5 x 8 dots; F:1 5 x 11 dots)	38us
Set CGRAM address	0	0	0	1	AC5	AC4	AC3	AC2	AC1	AC0		Set CGRAM address in address counter.	38us
Set DDRAM address	0	0	1	AC6	AC5	AC4	AC3	AC2	AC1	AC0		Set DDRAM address in address counter.	38us
Read busy flag and address	0	1	BF	AC6	AC5	AC4	AC3	AC2	AC1	AC0		Whether during internal operation or not can be known by reading BF. The contents of address counter can also be read.	
Write data to RAM	1	0	D7	D6	D5	D4	D3	D2	D1	D0		Write data into internal RAM (DDRAM/CGRAM).	38us
Read data to RAM	1	1	D7	D6	D5	D4	D3	D2	D1	D0		Read data into internal RAM (DDRAM/CGRAM).	38us

NOTE: when you make an MPU program with checking the busy flag (DB7), it must be necessary 1/2F osc for executing the next instruction by the falling edge of the 'E' signal after the Busy Flay (DB7) goes to "0"

Outline

To overcome the speed difference between the internal clock of SPLC780D1 and the MPU clock, SPLC780D1 performs internal operations by storing control information to IR or DR. The internal operation is determined according to the signal from MPU, composed of read/write and data bus (refer to table 5.)

Instruction can be divided largely into four kinds:

- (1) SPLC780D1 function set instructions (set display methods, set data length, etc.)
- (2) Address set instructions to internal RAM.
- (3) Data transfer instructions with internal RAM.
- (4) Others.

The address of the internal RAM is automatically increased or decreased by 1.

*NOTE: During internal operation, busy flag (DB7) is read "1". Busy flag check must be preceded by the next instruction. When you make an MPU program with checking the busy flag (DB7), it must be necessary 1/2 fosc for executing the next instruction by falling edge of the "E" signal after the busy flag (DB7) goes to "0".

Contents

1) Clear display

RS	R/W	DB7	DB6	DB5	DB4	DB3	DB2	DB1	DB0
0	0	0	0	0	0	0	0	0	1

Clear all the display data by writing "20H" (space code) to all DRAM address, and set the DRAM addresses to "00H" in the AC (address counter). Return cursor to original status, namely, bring the cursor to the left edge on first line of the display. Make entry mode increment (I/D="1").

2) Return home

RS	R/W	DB7	DB6	DB5	DB4	DB3	DB2	DB1	DB0
0	0	0	0	0	0	0	0	1	X

Return home is the cursor return home instruction. Set DRAM address to "00H" in the address counter. Return cursor to its original site and return display to its original status, if shifted. Contents of DDRAM does not change.

3) Entry mode set

RS	R/W	DB7	DB6	DB5	DB4	DB3	DB2	DB1	DB0
0	0	0	0	0	0	0	1	I/D	SH

Set the moving direction of cursor and display.

I/D: increment/decrement of DDRAM address (cursor or blink).

When I/D="1", cursor/blink moves to right and DDRAM address is increased by 1.

When I/D="0", cursor/blink moves to left and DDRAM address is increased by 1.

CGRAM operates the same as DDRAM, when reading from or writing to CGRAM.

SH: shift of entire display

When DDRAM is in read (CGRAM read/write) operation or SH="0", shift of entire display is not performed.

If SH="1" and in DDRAM write operation, shift of entire display is performed according to I/D value (I/D="1": shift left, I/D="0": shift right).

4) Display ON/OFF control

RS	R/W	DB7	DB6	DB5	DB4	DB3	DB2	DB1	DB0
0	0	0	0	0	0	1	D	C	B

Control display/cursor/blink ON/OFF 1-bit register.

D: Display ON/OFF control bit

When D="1", entire display is turned on.

When D="0", display is turned off, but display data remains in DDRAM.

C: cursor or ON/OFF control bit

When C="1", cursor is turned on.

When C="0", cursor disappears in current display, but I/D register retains its data.

B: cursor blink ON/OFF control bit

When B="1", cursor blink is on, which performs alternately between all the "1" data and display characters at the cursor position. When B="0", blink is off

5) Cursor or display shift

RS	R/W	DB7	DB6	DB5	DB4	DB3	DB2	DB1	DB0
0	0	0	0	0	1	S/C	R/L	X	X

without writing or reading the display data, Shifting right/left cursor position or display

This instruction is used to correct or search display data. (Refer to Table 4)

During 2-line mode display, cursor moves to the 2nd line after the 40th digit of the 1st line.

Note tat display shift is performed simultaneously in all the lines.

When displayed data is shifted repeatedly, each line shifts individually.

When display shift is performed, the contents of the address counter are not changed.

Table 4. shift patterns according to S/C and R/L bits

S/C	R/L	operation
0	0	Shift cursor to the left, AC is decreased by 1
0	1	Shift cursor to the right, AC is decreased by 2
1	0	Shift all the display to the left, cursor moves according to the display
1	1	Shift all the display to the right, cursor moves according to the display

6) Function set

RS	R/W	DB7	DB6	DB5	DB4	DB3	DB2	DB1	DB0
0	0	0	0	1	DL	N	F	X	X

DL: Interface data length control bit

When DL="1", it means 8-bit bus mode with MPU.

When DL="0", it means 4-bit bus mode with MPU. So to speak, DL is a signal to select 8-bit or 4-bit bus mode.

When 4- bit bus mode, it needs to transfer 4-bit data in two parts.

N: display line number control bit

When N="1", 2-line display mode is set.

When N="0", 1-line display mode is set.

F: display font type control bit

When F="0", 5 x 8 dots format display mode.

When F="1", 5 x 11 dots format display mode.

7) Set CGRAM address

RS	R/W	DB7	DB6	DB5	DB4	DB3	DB2	DB1	DB0
0	0	0	1	AC5	AC4	AC3	AC2	AC1	AC0

Set CGRAM address to AC. This instruction makes CGRAM data available from MPU.

8) Set DDRAM address

RS	R/W	DB7	DB6	DB5	DB4	DB3	DB2	DB1	DB0
0	0	1	AC6	AC5	AC4	AC3	AC2	AC1	AC0

Set DDRAM address to AC. This instruction makes DDRAM data available from MPU. In 1-line display mode (N=0,NW=0), DDRAM address is from “00H” to “4FH”. In 2-line display mode (N=1,NW=0), DDRAM address in the 1st line is from “00H” to “27H”, and DDRAM address in the 2nd line is from “40H” to “67H”.

9) Read busy flag & address

RS	R/W	DB7	DB6	DB5	DB4	DB3	DB2	DB1	DB0
0	0	BF	AC6	AC5	AC4	AC3	AC2	AC1	AC0

This instruction shows whether SPLC780D1 is in internal operation or not. If the resultant BF is “High”, it means the internal operation is in progress and you have to wait until BF to “low”. and then the next instruction can be performed. In this instruction you can also read the value of the address counter can also be read.

10) Write data to RAM

RS	R/W	DB7	DB6	DB5	DB4	DB3	DB2	DB1	DB0
1	0	D7	D6	D5	D4	D3	D2	D1	D0

Write binary 8-bit data to DRAM /CRAM/SEAGRAM. The selection of RAM from DRAM, CRAM or SEAGRAM, is set by the previous address set instruction: DDRAM address set, CGRAM address set, SEAGRAM address set, RAM set instruction can also determine the AC direction to RAM.

After write operation, the address is automatically increased/decreased by 1, according to the entry mode.

11) Read data from RAM

RS	R/W	DB7	DB6	DB5	DB4	DB3	DB2	DB1	DB0
1	1	D7	D6	D5	D4	D3	D2	D1	D0

Read binary 8-bit data from DDRAM/CRAM.

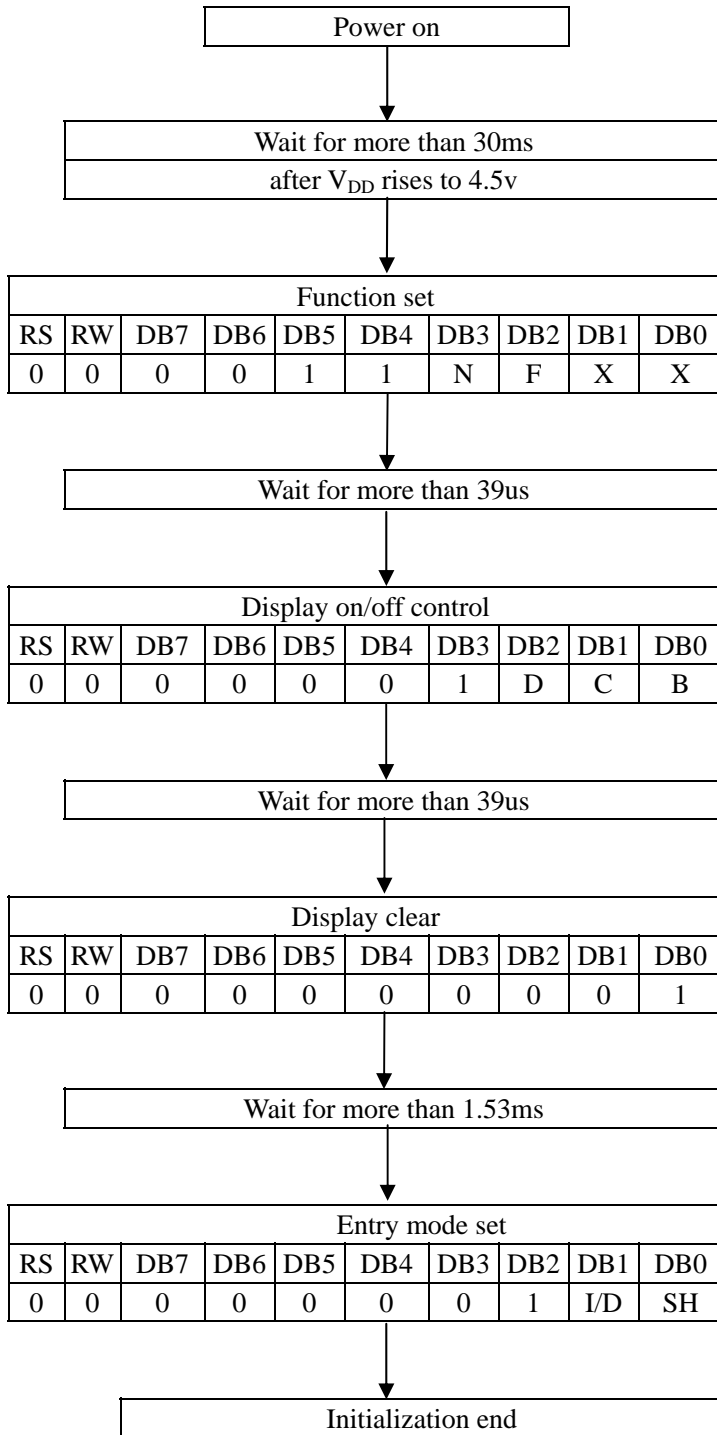
The selection of RAM is set by the previous address set instruction. If the address set instruction of RAM is not performed before this instruction, the data that is read first is invalid, because the direction of AC is not determined. If the RAM data is read several times without RAM address set instruction before read operation, the correct RAM data from the second, but the first data would be incorrect, as there is not time to transfer RAM data. In case of DDRAM read operation, cursor shift instruction plays the same role as DDRAM address set instruction; it also transfers RAM data to the output data register.

After read operation the address counter is automatically increased/decreased by 1 according to the entry mode. After CGRAM read operation, display shift may not be executed correctly.

* In case of RAM write operation, AC is increased/decreased by 1 like read operation. In this time, AC indicates the next address position, but the previous data can only by the read instruction.

11. LCM INITIALIZING BY INSTRUCTION

11-1 8-bit interface mode



Condition: fosc=270khz

N	0	1-line mode
	1	2-line mode

F	0	5 x 8 font
	1	5 x 11 font

D	0	display off
	1	display on

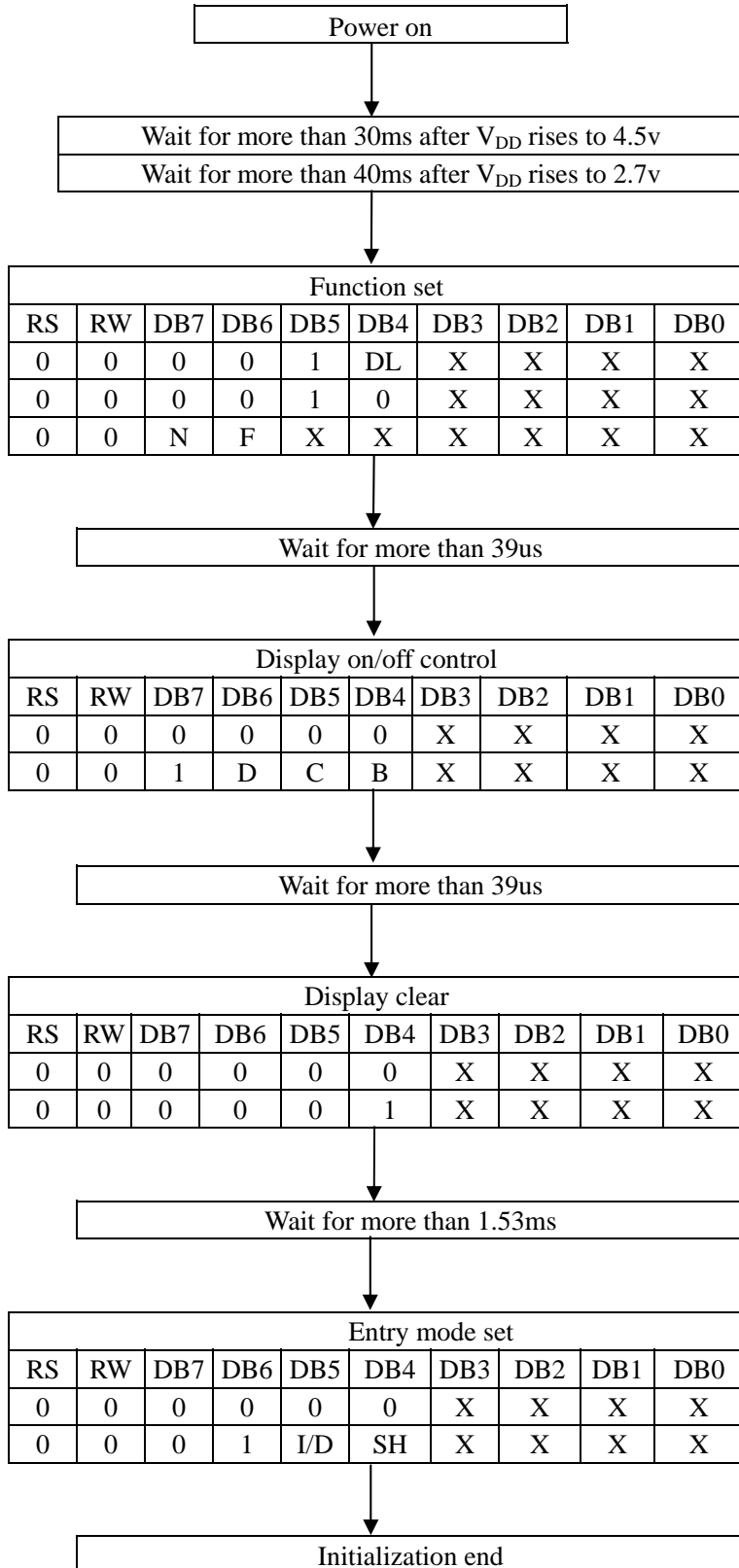
C	0	cursor off
	1	cursor on

B	0	blink off
	1	blink on

I/D	0	decrement mode
	1	increment mode

SH	0	entire shift off
	1	entire shift on

11-2 4-bit interface mode



Condition: fosc=270khz

DL	0	4-bit mode
	1	8-bit mode
N	0	1-line mode
	1	2-line mode
F	0	5 x 8 font
	1	5 x 11 font

D	0	display off
	1	display on
C	0	cursor off
	1	cursor on
B	0	blink off
	1	blink on

I/D	0	decrement mode
	1	increment mode
SH	0	entire shift off
	1	entire shift on

12. STANDARD CHARACTER PATTERN (SPLC0780D1)

Upper(4bit) Lower(4bit)	LLLL	LLLH	LLHL	LLHH	LHLL	LHLH	LHHL	LHHH	HLLL	HLLH	HLHL	HLHH	HHLL	HHLH	HHHL	HHHH
CG RAM LLLL (1)																
LLLH (2)																
LLHL (3)																
LLHH (4)																
LHLL (5)																
LHLH (6)																
LHHL (7)																
LHHH (8)																
HLLL (1)																
HLLH (2)																
HLHL (3)																
HLHH (4)																
HHLL (5)																
HHLH (6)																
HHHL (7)																
HHHH (8)																

13. ELECTRICAL CHARACTERISTICS

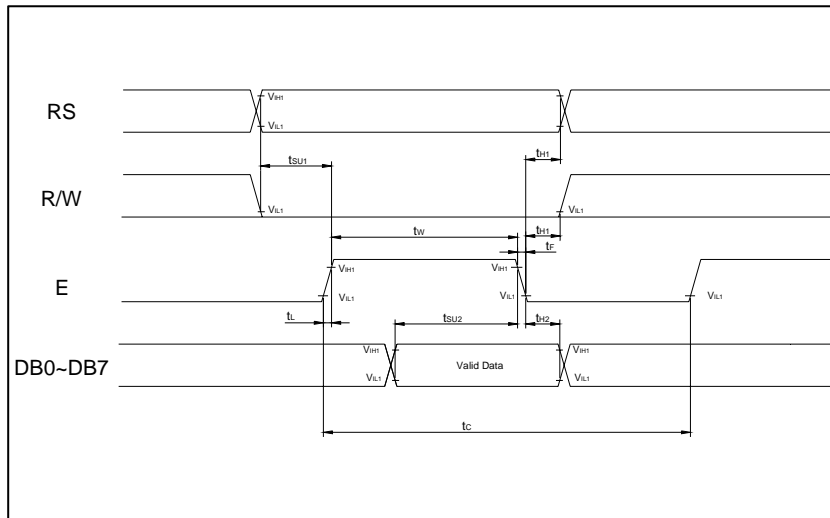
13-1-1 DC Characteristics ($V_{DD} = 4.5V \sim 5.5V$, $T_a = -10 \sim +60 \text{ }^\circ\text{C}$)

Item	Symbol	Standard Value			Test Condition	Unit
		MIN	TYP	MAX		
Operating Voltage	V_{DD}	4.5	5	5.5	-----	V
Supply Current	I_{DD}	---	0.55	0.8	$V_{DD}=5V, f_{osc}=270kHz$	mA
Input Voltage (1) (except OSC1)	V_{IL1}	-0.3	--	0.6	-----	V
	V_{IH1}	2.5	--	V_{DD}	-----	
Input Voltage (2) (OSC1)	V_{IL2}	-0.2	--	1.0	-----	V
	V_{IH2}	$V_{DD}-1.0$	--	V_{DD}	-----	
Output Voltage (1) (DB0 to DB7)	V_{OL1}	---	----	0.4	$I_{OL}=0.1mA$ (Pins DB0-DB7)	V
	V_{OH1}	2.4	---	V_{DD}	$I_{OH}=-0.1mA$ (Pins DB0-DB7)	
Output Voltage (2) (except DB0 to DB7)	V_{OL2}	-----	---	$0.1V_{DD}$	$I_{OL}=40\mu A$	V
	V_{OH2}	$0.9V_{DD}$	---	V_{DD}	$I_{OH}=-40\mu A$	
Internal Clock (external Rf)	f_{OSC1}	190	270	350	$R_f = 91k \pm 2\%$ ($V_{DD}=5V$)	kHz
External Clock	f_{OSC}	125	250	350	----	kHz
	Duty	45	50	55	----	%
	t_R, t_F	---	---	0.2	----	us
LCD Driving Voltage	V_{LCD}	3.0	---	8.0	$V_{DD}-V_5$ (1/5, 1/4 Bias)	V

13-2 AC Characteristics ($V_{DD} = 4.5V \sim 5.5V$, $T_a = -10 \sim +60^{\circ}C$)

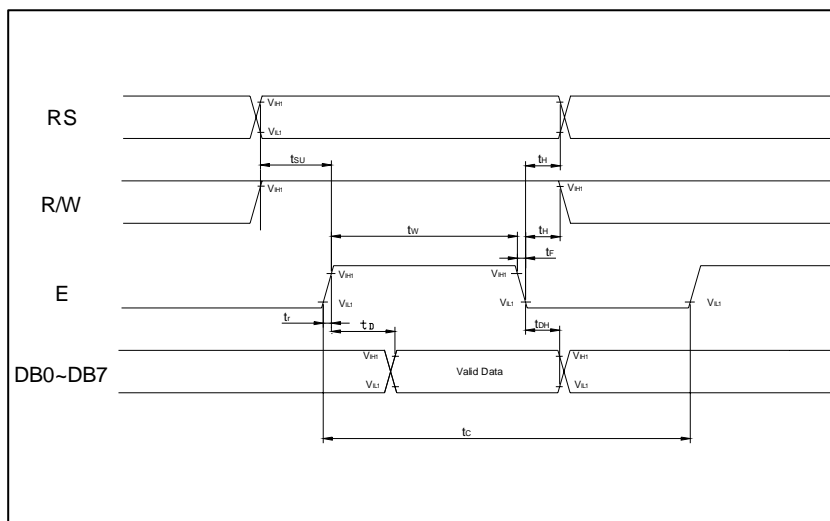
13-2-1 Write mode (writing data from MPU to LCD-module) valid for 4,5Volt...5,5Volt:

Characteristic	Symbol	Min	Type	Max	Unit	Test PIN
E Cycle Time	t_C	400	---	---	ns	E
E Rise Time	t_R	---	---	25	ns	E
E Fall Time	t_F	---	---	25	ns	E
E Pulse width (High, Low)	t_W	150	---	---	ns	E
R/W and RS Set-up Time	t_{SU1}	30	---	---	ns	R/W,RS
R/W and RS Hold Time	t_{H1}	10	---	---	ns	R/W,RS
Data Set-up Time	t_{SU2}	40	---	---	ns	DB0~DB7
Data Hold Time	t_{H2}	10	---	---	ns	DB0~DB7



13-2-2 Read mode (reading data from LCD-module to MPU)

Characteristic	Symbol	Min	Type	Max	Unit	Test PIN
E Cycle Time	t_C	400	---	---	ns	E
E Rise Time	t_R	---	---	25	ns	E
E Fall Time	t_F	---	---	25	ns	E
E Pulse width (High, Low)	t_W	150	---	---	ns	E
R/W and RS Set-up Time	t_{SU}	30	---	---	ns	R/W,RS
R/W and RS Hold Time	t_H	10	---	---	ns	R/W,RS
Data Output Delay Time	t_D	---	---	100	ns	DB0~DB7
Data Hold Time	t_{DH2}	5	---	---	ns	DB0~DB7



14. LCD MODULES HANDLING PRECAUTIONS

- Please remove the protection film on LCD before using. .
- The display panel is made of glass. Do not subject it to a mechanical shock by dropping it from a high place, etc.
- If the display panel is damaged and the liquid crystal substance inside it leaks out, do not get any in your mouth. If the substance come into contact with your skin or clothes promptly wash it off using soap and water.
- Do not apply excessive force to the display surface or the adjoining areas since this may cause the color tone to vary.
- The polarizer covering the display surface of the LCD module is soft and easily scratched. Handle this polarize carefully.
- To prevent destruction of the elements by static electricity, be careful to maintain an optimum work environment.
 - Be sure to ground the body when handling the LCD module.
 - Tools required for assembly, such as soldering irons, must be properly grounded.
 - To reduce the amount of static electricity generated, do not conduct assembly and other work under dry conditions.
 - The LCD module is coated with a film to protect the display surface. Exercise care when peeling off this protective film since static electricity may be generated.
- Storage precautions
When storing the LCD modules, avoid exposure to direct sunlight or to the light of fluorescent lamps. Keep the modules in bags designed to prevent static electricity charging under low temperature / normal humidity conditions (avoid high temperature / high humidity and low temperatures below 0°C).Whenever possible, the LCD modules should be stored in the same conditions in which they were shipped from our company.

15. OTHERS

- Liquid crystals solidify at low temperature (below the storage temperature range) leading to defective orientation of liquid crystal or the generation of air bubbles (black or white). Air bubbles may also be generated if the module is subjected to a strong shock at a low temperature.
- If the LCD modules have been operating for a long time showing the same display patterns may remain on the screen as ghost images and a slight contrast irregularity may also appear. Abnormal operating status can be resumed to be normal condition by suspending use for some time. It should be noted that this phenomena does not adversely affect performance reliability.
- To minimize the performance degradation of the LCD modules resulting from caused by static electricity, etc. exercise care to avoid holding the following sections when handling the modules:
 - Exposed area of the printed circuit board
 - Terminal electrode sections

X-ON Electronics

Largest Supplier of Electrical and Electronic Components

Click to view similar products for [TFT Displays & Accessories](#) category:

Click to view products by [Display Elektronik](#) manufacturer:

Other Similar products are found below :

[OAI-80038AA-2013-A](#) [HDA430T-3G1H](#) [EA CARREDIPTFT02](#) [NL6448BC20-21D](#) [NB7W-KBA04](#) [NB-ATT01](#) [NB5Q-ATT01](#) [NB5Q-KBA04](#) [NB-CN001](#) [NL12880BC20-05](#) [NL8060BC26-35C](#) [NL8060BC26-35F](#) [TCG104SVLQAPNN-AN20](#) [OAI-80038AA-2008-A](#) [315-U004B15300](#) [UMSH-8596MD-34T \(REV D\)](#) [98-0003-3490-8](#) [1044278](#) [1029309](#) [1060549](#) [DE 127-TU-30/7,5](#) [DE 128-TU-20/7,5](#) [EP-LK007TFTPCAP](#) [FR7.0A00](#) [RC2002A-TIG-CSX](#) [NL6448BC2021C](#) [TX17D01VM2EAB](#) [TX14D23VM5BAA](#)
[TCG121WXLRXVNNANX35](#) [EIC-LCD-1080P](#) [T272480C07VR01](#) [1060632](#) [TCG070WVLPAANN-AN50](#) [TCG035QVLPDANN-GN50](#)
[1060630](#) [RFE430V-AIW-DNG](#) [T-55619GD065J-LW-ABN](#) [NHD-1.8-128160EF-SSXN-FT](#) [TCG104SVLPEANN-AN30](#) [NL6448BC33-70](#)
[NL192108BC18-06F](#) [NLB150XG02L-01](#) [NL6448BC20-30D](#) [NL10276BC16-06](#) [NL192108AC10-01D](#) [NL6448AC18-08F](#) [NL6448BC20-30F](#)
[NL12880BC20-05BD](#) [NL12880BC20-05D](#) [NL8060BC26-35BA](#)