

**DISPLAY Elektronik GmbH**

**DATA SHEET**

**LCD MODULE**

**DEM 16481 SBH-PW-N**

*Product Specification*

*Version: 7.1.1*

*01.09.2008*

# GENERAL SPECIFICATION

---

MODULE NO. :

## DEM 16481 SBH-PW-N

VERSION NO.	CHANGE DESCRIPTION	DATE
0	ORIGINAL VERSION	13.12.2002
1	ADD VERSION	15.07.2003
2	CHANGE PCB DRAWING	20.10.2003
3	ADD VERSION	04.11.2003
4	ADD VERSION	09.06.2005
5	MODIFY DESCRIPTION	19.06.2006
6	MODIFY SECTION 6.1	19.04.2007
7	MODIFY ELECTRICAL CHARACTERISTICS	17.05.2007
7.1.1	CHANGE IC	16.06.2008

PREPARED BY: OYQ

DATE: 16.06.2008

APPROVED BY: MH

DATE: 01.09.2008

**CONTENTS**

1. FUNCTIONS & FEATURES----- 2

2. MECHANICAL SPECIFICATIONS ----- 2

3. BLOCK DIAGRAM----- 3

4. EXTERNAL DIMENSIONS ----- 3

5. PIN ASSIGNMENT ----- 4

6. PCB DRAWING AND DESCRIPTION ----- 4

7. BACKLIGHT VOLTAGE AND CURREN----- 6

8. DISPLAY DATA RAM----- 6

9. MAXIMUM ABSOLUTE POWER RATINGS ----- 7

10. ELECTRICAL CHARACTERISTICS ----- 7

11. CONTROL AND DISPLAY COMMAND----- 10

12. CHARACTR GENERATOR ROM ----- 11

13. LCD MODULES HANDLING PRECAUTIONS ----- 12

14. OTHERS----- 12

**1. FUNCTIONS & FEATURES**

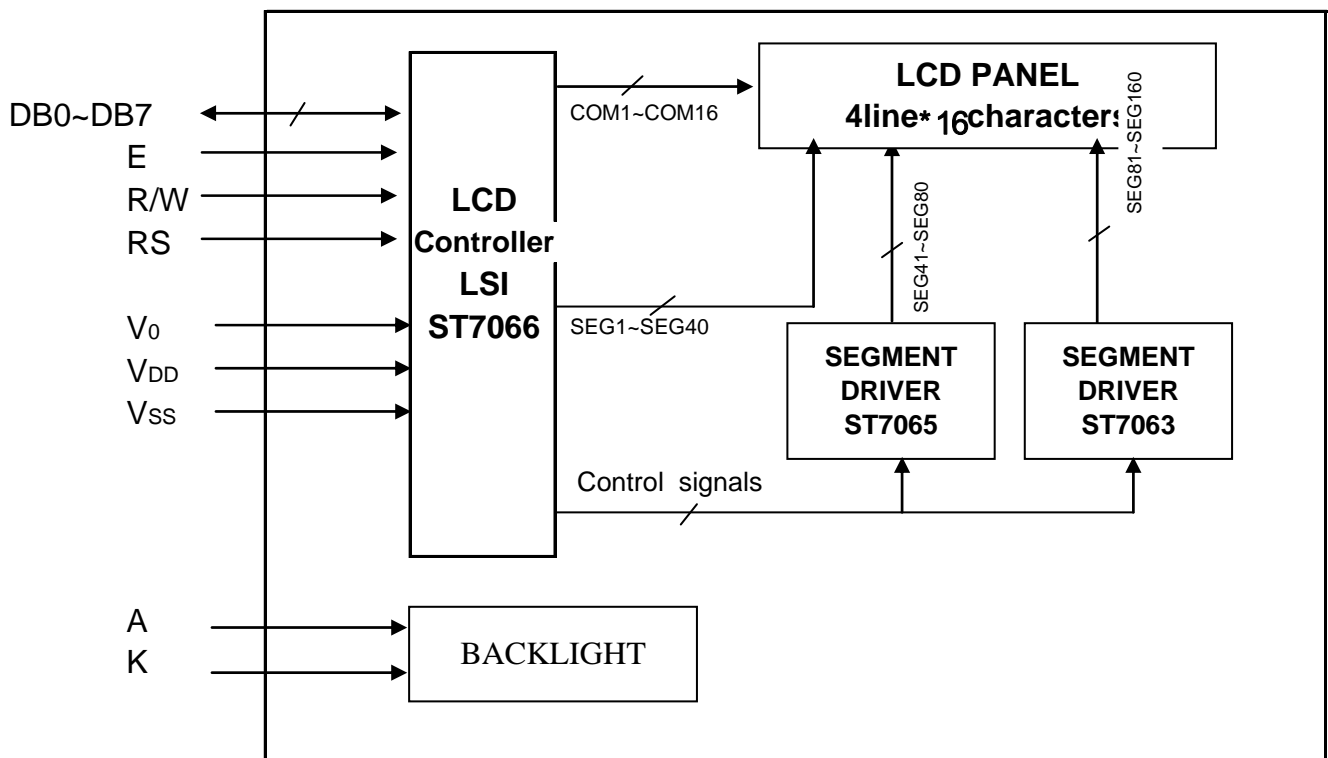
Module	LCD Type
DEM 16481 SBH-PW-N	STN Blue Transmissive Negative Mode

- Viewing Direction : 6 O'clock
- Driving Scheme : 1/16 Duty Cycle, 1/5 Bias
- Power Supply Voltage : 5.0V (typ.)
- Backlight Type : White Light guide
- VLCD Adjustable For Best Contrast : 4.5V (typ.)
- Display contents : 16 x 4 Characters
- Internal Memory : CGROM (8,320 bits )  
: CGRAM (64 x 8 bits )  
: DDRAM (80 x 8 bits)
- CGROM : CGROM of the ST7066U-0A
- Operating Temperature : - 20°C to + 70°C
- Storage Temperature : - 30°C to + 80°C
- Interface : Easy Interface with a 4-bit or 8-bit MPU

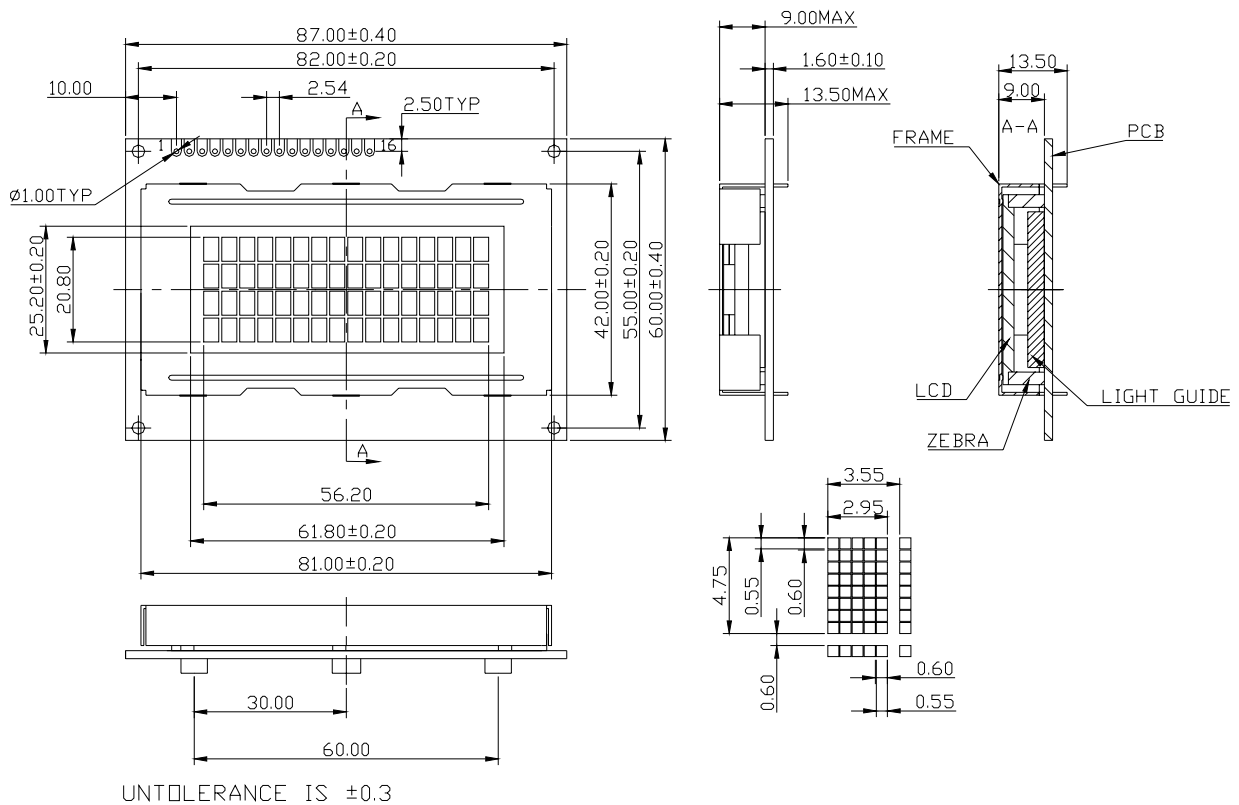
**2. MECHANICAL SPECIFICATIONS**

- Module Size : 87.00 x 60.00 x 13.50 mm
- Character Pitch : 3.55 x 5.35 mm
- Character Size : 2.95 x 4.75 mm
- Character Font : 5 x 8 dots
- Dot Size : 0.55 x 0.55 mm
- Dot Pitch : 0.60 x 0.60 mm

3. BLOCK DIAGRAM



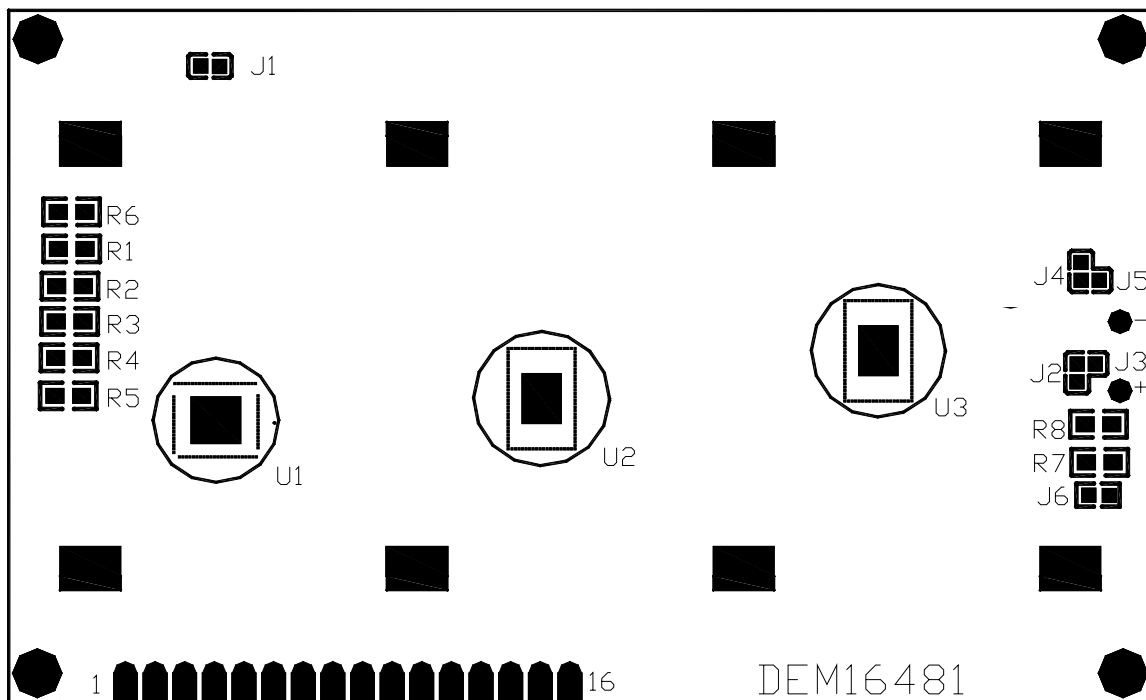
4. EXTERNAL DIMENSIONS



5. PIN ASSIGNMENT

Pin No.	Symbol	Function
1	VSS	Ground terminal of module.
2	VDD	Power terminal of module 5.0V.
3	V0	Power Supply for liquid crystal drive.
4	RS	Register select RS = 0...Instruction register RS = 1...Data register
5	R/W	Read /Write R/W = 1...Read R/W = 0...Write
6	E	Read/Write Enable Signal
7	DB0	Bi-directional data bus, data transfer is performed once, thru DB0 to DB7, in the case of interface data. Length is 8-bits; and twice, thru DB4 to DB7 in the case of interface data length is 4-bits. Upper four bits first then lower four bits.
8	DB1	
9	DB2	
10	DB3	
11	DB4	
12	DB5	
13	DB6	
14	DB7	
15	LED - (K)	Please also refer to 6.1 PCB drawing and description.
16	LED + (A)	Please also refer to 6.1 PCB drawing and description.

6. PCB DRAWING AND DESCRIPTION



Note: The part no. DEM16481 is printed on the PCB.

**DESCRIPTION:****6-1-1.The polarity of the pin 15 and the pin 16**

LED Polarity(1)	
15 Pin	16Pin
Anode	Cathode
J3=J5=open J2=J4=closed	

LED Polarity(2)	
15 Pin	16 Pin
Cathode	Anode
J3=J5= closed J2=J4= open	

Note: In application module, J2=J4= open and J3=J5=0 Ohm

**6-1-2. The metal-bezel is set be on ground when the J1 is solder-Bridge.**

Note: In application module, J1=0 Ohm

**6-1-3.The LED resistor should can be bridged when the J6 is solder-Bridge.**

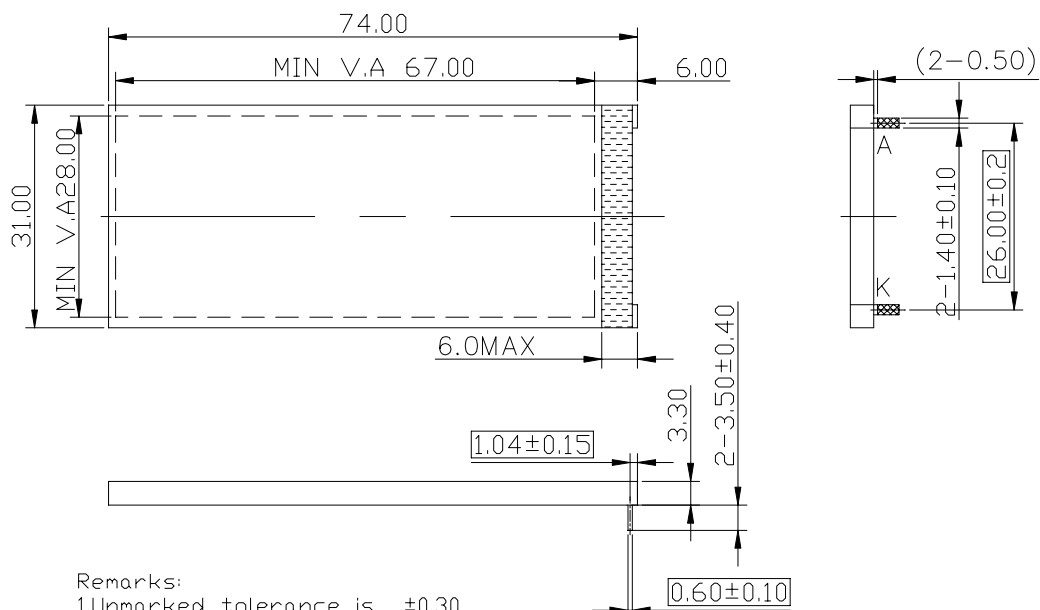
Note: In application module, J6=open

**6-1-4.The R7 and the R8 are the LED resistor.**

Note: In application module, R7=15 Ohm, R8=open

7. BACKLIGHT VOLTAGE AND CURRENT

	SYMBOL	MIN.	TYP.	MAX.	UNIT	CONDITIONS
Forward Voltage	V <sub>f</sub>		4.0	4.2	V	I <sub>f</sub> = 80mA
Forward Current	I <sub>f</sub>		80	100	mA	
Power Dissipation	P <sub>d</sub>		0.32		W	I <sub>f</sub> = 80mA
Reverse Voltage	V <sub>R</sub>		4.0		V	
Reverse Current	I <sub>R</sub>		1.2		mA	
Luminous Intensity	I <sub>V</sub>		110.0		cd/m <sup>2</sup>	I <sub>f</sub> = 80mA
Luminous Uniformity		70			%	
Emitted Color	E <sub>c</sub>		--		K	
Emission Wavelength	λ <sub>P</sub>		White		nm	I <sub>f</sub> =20mA Ta=25j €
Spectral Range	Δλ		20		nm	Each chip



Remarks:  
 1.Unmarked tolerance is ±0.30  
 2.The material comply with ROHS  
 3.Color: white

8. DISPLAY DATA RAM (DDRAM)

	1	2	3	4	5	6	7	8	9	10	11	12	13	14	15	16	← Display position
FIRST LINE	00	01	02	03	04	05	06	07	08	09	0A	0B	0C	0D	0E	0F	← DDRAM Address
SECOND LINE	40	41	42	43	44	45	46	47	48	49	4A	4B	4C	4D	4E	4F	
THIRD LINE	10	11	12	13	14	15	16	17	18	19	1A	1B	1C	1D	1E	1F	
FOURTH LINE	50	51	52	53	54	55	56	57	58	59	5A	5B	5C	5D	5E	5F	



## 9. MAXIMUM ABSOLUTE LIMIT

Item	Symbol	Standard value	Unit
Power supply voltage(1)	V <sub>DD</sub>	-0.3~+7.0	V
Power supply voltage(2)	V <sub>LCD</sub>	V <sub>DD</sub> -15.0~V <sub>DD</sub> +0.3	V
Input voltage	V <sub>IN</sub>	-0.3~V <sub>DD</sub> +0.3	V
Operating temperature	T <sub>opr</sub>	-20~+70	°C
Storage temperature	T <sub>stg</sub>	-30~+80	°C

\*Voltage greater than above may damage to the Circuit.

$$V_{DD} > V_1 > V_2 > V_3 > V_4 > V_5$$

## 10. ELECTRICAL CHARACTERISTICS

## 10-1 DC Characteristics

10-1-1 DC Characteristics(V<sub>DD</sub>=4.5V~5.5V, T<sub>a</sub>=-20~+70°C)

Item	Symbol	Standard Value			Test Condition	Unit
		MIN	TYP	MAX		
Operating Voltage	V <sub>DD</sub>	4.5	5.0	5.5	-----	V
Supply Current	I <sub>DD1</sub>	----	0.7	1.0	Ceramic oscillation fosc=250kHz	mA
	I <sub>DD2</sub>	----	0.4	0.6	Resistor oscillation external clock operation fosc=270kHz	
LCD Driving Voltage	V <sub>LCD</sub>	3.0	4.5	10.0	V <sub>DD</sub> -V <sub>5</sub> (1/5,1/4 Bias)	V

(CONTINUED) (V<sub>DD</sub>=2.7V~4.5V, T<sub>a</sub>=-20~+70°C)

Item	Symbol	Standard Value			Test Condition	Unit
		MIN	TYP	MAX		
Operating Voltage	V <sub>DD</sub>	2.7	---	4.5	-----	V
Supply Current	I <sub>DD1</sub>	----	0.3	0.5	Ceramic oscillation fosc=250kHz	mA
	I <sub>DD2</sub>	----	0.17	0.3	Resistor oscillation external clock operation fosc=270kHz	
LCD Driving Voltage	V <sub>LCD</sub>	3.0	---	10.0	V <sub>DD</sub> -V <sub>5</sub> (1/5,1/4 Bias)	V

**10-2 AC Characteristics**

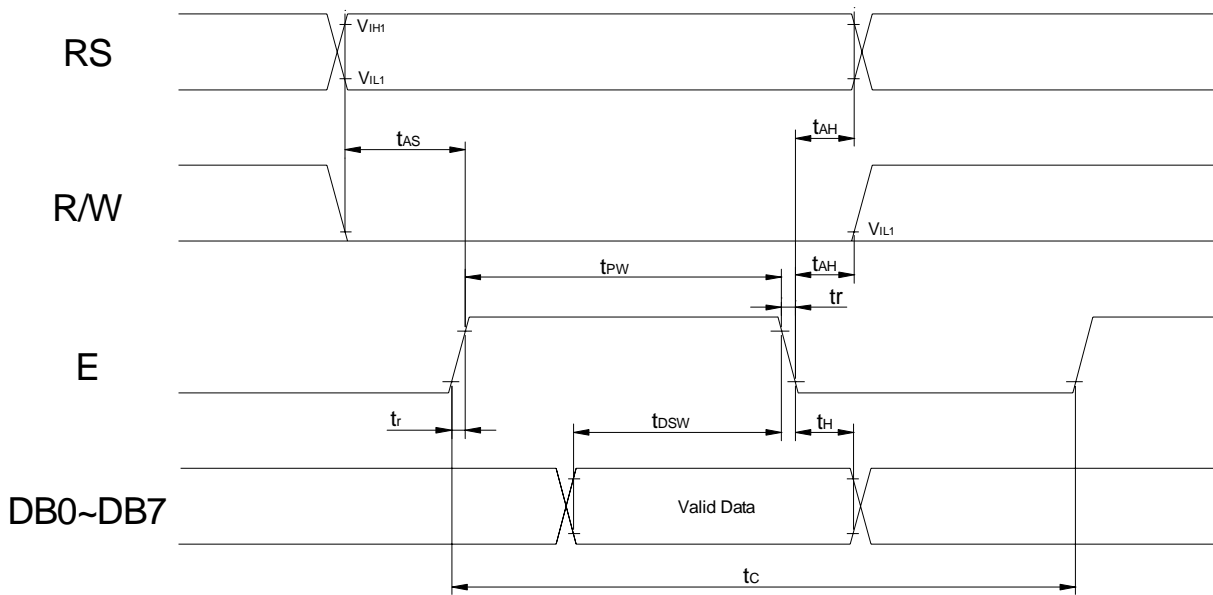
**10-2-1 Write mode (writing data from MPU to module)**

Item	Symbol	Min	Typ	Max	Unit	Test PIN
E Cycle Time	$t_C$	1200		---	--ns -	E
E Rise/Fall Time	$t_R, t_F$	---		25	ns	E
E Pulse Width (High, Low)	$t_w$	140		---	ns	E
R/W and RS Setup Time	$t_{su1}$	0		---	-ns	R/W,RS,E
R/W and RS Hold Time	$t_{H1}$	10		---	--ns	R/W,RS,E
Data Setup Time	$t_{su2}$	40		---	--ns	DB0~DB7
Data Hold Time	$t_{H2}$	10		---	--ns	DB0~DB7

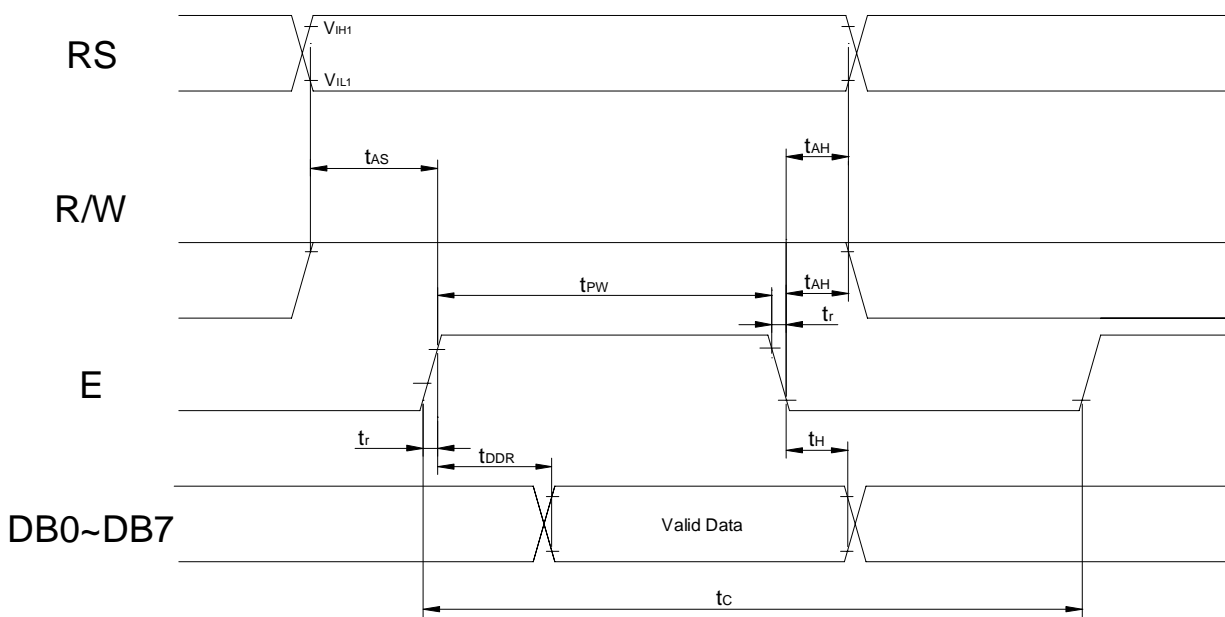
**10-2-2 Read Mode (Reading Data From module to MPU)**

Characteristic	Symbol	Min	Type	Max	Unit	Test PIN
E Cycle Time	$t_C$	1200	---	---	ns	E
E Rise Time	$t_R$	---	---	25	ns	E
E Fall Time	$t_F$	---	---	25	ns	E
E Pulse width	$t_{pw}$	140	---	---	ns	E
Address Setup Time	$t_{AS}$	0	---	---	ns	R/W,RS,E
Address Hold Time	$t_{AH}$	10	---	---	ns	R/W,RS,E
Data Setup Time	$t_{DDR}$	---	---	100	ns	DB0~DB7
Data Hold Time	$t_H$	10	---	---	ns	DB0~DB7

**10-3-1 Write mode**



**10-3-2 Read mode**



11. CONTROL AND DISPLAY COMMAND

Command	RS	R/W	DB7	DB6	DB5	DB4	DB3	DB2	DB1	DB0	Execution time (fosc=270KHz)	Remark
Clear Display	0	0	0	0	0	0	0	0	0	1	1.52ms	Write"20H" to DDRAM. And set DDRAM address to "00H" from AC
Return home	0	0	0	0	0	0	0	0	1	x	1.52ms	Set DDRAM address to "00H" from AC and return cursor to its original position if shifted. The contents of DDRAM are not changed.
Entry mode Set	0	0	0	0	0	0	0	1	I/D	S	37us	Sets cursor move direction and specifies display shift. These operations are performed during data write and read.
Display on/off control	0	0	0	0	0	0	1	D	C	B	37us	D=1: entire display on C=1: cursor on B=1: cursor position on
Cursor or Display Shift	0	0	0	0	0	1	S/C	R/L	x	x	37us	Set cursor moving and display shift control bit, and the direction, without changing DDRAM data.
function Set	0	0	0	0	1	DL	N	F	x	x	37us	DL: interface data is 8/4 bits N: number of line is 2/1 F: font size is 5x11/5x8
Set CGRAM address	0	0	0	1	AC5	AC4	AC3	AC2	AC1	AC0	37us	Set CGRAM address in address counter
Set DDRAM address	0	0	1	AC6	AC5	AC4	AC3	AC2	AC1	AC0	37us	Set DDRAM address in address counter
Read busy flag& address	0	1	BF	AC6	AC5	AC4	AC3	AC2	AC1	AC0	0us	Whether during internal operation or not can be known by reading BF. The contents of address counter can also be read.
Write data to RAM	1	0	D7	D6	D5	D4	D3	D2	D1	D0	37us	Write data into internal RAM (DDRAM/CGRAM)
Read data from RAM	1	1	D7	D6	D5	D4	D3	D2	D1	D0	37us	Read data from internal RAM (DDRAM / CGRAM)

Note:

Be sure the ST7066U is not in the busy state (BF=00 before sending an instruction from the MPU to the ST7066U. If an instruction is sent without checking the busy flag, the time between the first instruction and next instruction will take much longer than the instruction time itself. Refer to instruction table for the list of each instruction execution time.

12. CHARACTER GENERATOR ROM (ST7066U-0A)

Upper bit	0000	0001	0010	0011	0100	0101	0110	0111	1000	1001	10010	1011	1100	1101	1110	1111
Low 7 bit	CG RAM (1)			0	1	2	3	4				5	6	7	8	9
0000	(2)	!	1	A	Q	a	q			=	7	*	4	3	2	1
0010	(3)	"	2	R	B	r	b			7	7	7	7	7	7	7
0011	(4)	*	3	C	S	c	s			7	7	7	7	7	7	7
0100	(5)	*	4	D	T	d	t			7	7	7	7	7	7	7
0101	(6)	*	5	E	U	e	u			7	7	7	7	7	7	7
0110	(7)	*	6	F	V	f	v			7	7	7	7	7	7	7
0111	(8)	*	7	G	W	g	w			7	7	7	7	7	7	7
1000	(1)	<	C	H	X	h	x			7	7	7	7	7	7	7
1001	(2)	>	S	Y	y	s	y			7	7	7	7	7	7	7
1010	(3)	*	8	J	Z	j	z			7	7	7	7	7	7	7
1011	(4)	+	9	K	k	+	k			7	7	7	7	7	7	7
1100	(5)	*	<	L	7	l	7			7	7	7	7	7	7	7
1101	(6)	—	—	M	m	—	m			7	7	7	7	7	7	7
1110	(7)	*	>	N	n	*	n			7	7	7	7	7	7	7
1111	(8)	/	?	O	o	/	o			7	7	7	7	7	7	7

**13. LCD MODULES HANDLING PRECAUTIONS**

- Please remove the protection foil of polarizer before using.
- The display panel is made of glass. Do not subject it to a mechanical shock by dropping it from a high place, etc.
- If the display panel is damaged and the liquid crystal substance inside it leaks out, do not get any in your mouth. If the substance comes into contact with your skin or clothes promptly wash it off using soap and water.
- Do not apply excessive force to the display surface or the adjoining areas since this may cause the color tone to vary.
- The polarizer covering the display surface of the LCD module is soft and easily scratched. Handle this polarizer carefully.
- To prevent destruction of the elements by static electricity, be careful to maintain an optimum work environment.
  - Be sure to ground the body when handling the LCD module.
  - Tools required for assembly, such as soldering irons, must be properly grounded.
  - To reduce the amount of static electricity generated, do not conduct assembly and other work under dry conditions.
  - The LCD module is coated with a film to protect the display surface. Exercise care when peeling off this protective film since static electricity may be generated.
- Storage precautions  
When storing the LCD modules, avoid exposure to direct sunlight or to the light of fluorescent lamps. Keep the modules in bags designed to prevent static electricity charging under low temperature / normal humidity conditions (avoid high temperature / high humidity and low temperatures below 0°C). Whenever possible, the LCD modules should be stored in the same conditions in which they were shipped from our company.

**14. OTHERS**

- Liquid crystals solidify at low temperature (below the storage temperature range) leading to defective orientation of liquid crystal or the generation of air bubbles (black or white). Air bubbles may also be generated if the module is subjected to a strong shock at a low temperature.
- If the LCD modules have been operating for a long time showing the same display, patterns may remain on the screen as ghost images and a slight contrast irregularity may also appear. Abnormal operating status can be resumed to be normal condition by suspending use for some time. It should be noted that this phenomena does not adversely affect performance reliability.
- To minimize the performance degradation of the LCD modules resulting from caused by static electricity, etc. exercise care to avoid holding the following sections when handling the modules :
  - Exposed area of the printed circuit board
  - Terminal electrode sections

## X-ON Electronics

Largest Supplier of Electrical and Electronic Components

*Click to view similar products for [TFT Displays & Accessories](#) category:*

*Click to view products by [Display Elektronik](#) manufacturer:*

Other Similar products are found below :

[OAI-80038AA-2013-A](#) [HDA430T-3G1H](#) [EA CARREDIPTFT02](#) [NL6448BC20-21D](#) [NB7W-KBA04](#) [NB-ATT01](#) [NB5Q-ATT01](#) [NB5Q-KBA04](#) [NB-CN001](#) [NL12880BC20-05](#) [NL8060BC26-35C](#) [NL8060BC26-35F](#) [TCG104SVLQAPNN-AN20](#) [OAI-80038AA-2008-A](#) [315-U004B15300](#) [UMSH-8596MD-34T \(REV D\)](#) [98-0003-3490-8](#) [1044278](#) [1029309](#) [1060549](#) [DE 127-TU-30/7,5](#) [DE 128-TU-20/7,5](#) [EP-LK007TFTPCAP](#) [FR7.0A00](#) [RC2002A-TIG-CSX](#) [NL6448BC2021C](#) [TX17D01VM2EAB](#) [TX14D23VM5BAA](#)  
[TCG121WXLRXVNNANX35](#) [EIC-LCD-1080P](#) [T272480C07VR01](#) [1060632](#) [TCG070WVLPAANN-AN50](#) [TCG035QVLPDANN-GN50](#)  
[1060630](#) [RFE430V-AIW-DNG](#) [T-55619GD065J-LW-ABN](#) [NHD-1.8-128160EF-SSXN-FT](#) [TCG104SVLPEANN-AN30](#) [NL6448BC33-70](#)  
[NL192108BC18-06F](#) [NLB150XG02L-01](#) [NL6448BC20-30D](#) [NL10276BC16-06](#) [NL192108AC10-01D](#) [NL6448AC18-08F](#) [NL6448BC20-30F](#)  
[NL12880BC20-05BD](#) [NL12880BC20-05D](#) [NL8060BC26-35BA](#)