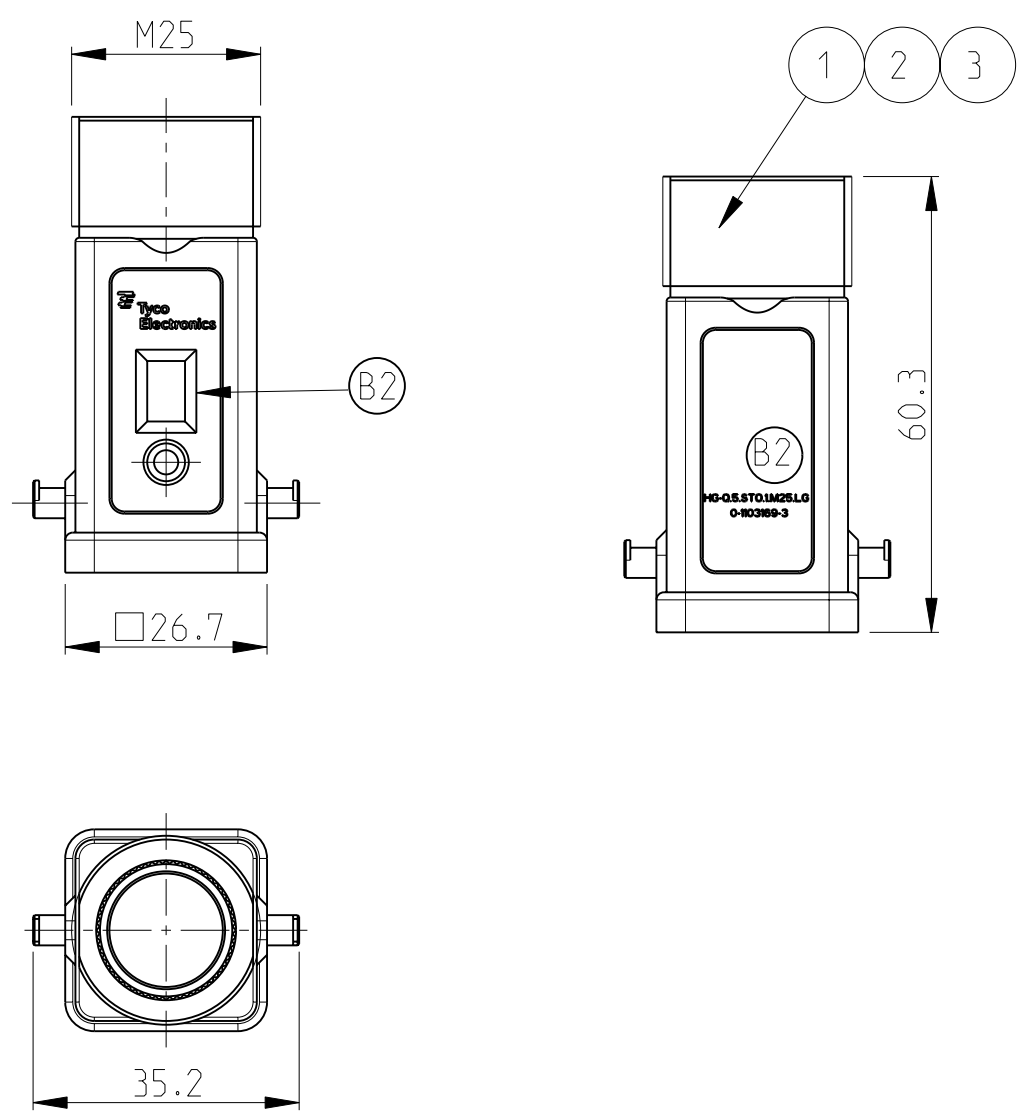


THIS DRAWING IS UNPUBLISHED. RELEASED FOR PUBLICATION 2008  
 © COPYRIGHT 2008 BY TYCO ELECTRONICS CORPORATION. ALL RIGHTS RESERVED.

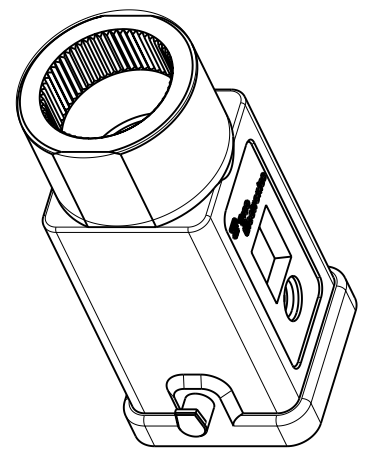
LOC	DIST	REVISIONS						
		P	LTR	DESCRIPTION	DATE	DWN	APVD	
A1	-		B1	printing changed	ECR-08-026285	17.10.08	SR	ST
			B2	DETAIL ADDED	ECR-08-031345	10DEC2008	SR	ST
			B3	PN 0-3 added	ECR-08-009172	04FEB2009	SR	BM
			B4	ECR-09-025958		27NOV2009	GW	BR



Notes

- 1 SUITABLE INSERT: SERIES HA.3/4; HD.7/8; HN.D.7/8; HE-Q.5
  - 2 CABLE FITTINGS: CABLE: min./max.Ø: 4.0 - 15.5 MM  
CUSTOMER DRAWING: 1103074
  - 3 STANDARDS:  
DIN EN 61984, DIN EN 60664-1
  - 4 TOLERANCES UNLESS OTHERWISE SPECIFIED:  
n. ISO 8015  
n. ISO 2768-mH-E  
n. DIN 16901
  - 5 PACKAGING: 0-1, 0-2  
10 SETS IN A CARTON, PRE-MOUNTED
- PACKAGING: 0-3  
500 PARTS IN A BAG  
ONE BAG IN A CARTON

0-3	0-2	0-1	DESCRIPTION	MATERIAL	COLOR	NOTE	ITEM NO. POS.
			HOOD	PA 66	LIGHT-GREY		3
			HOOD	PBT-GF25	BLACK		2
			HOOD	PBT-GF30	LIGHT-GREY		1
			HG-Q.5.STO.1.M25.Z				
			HG-Q.5.STO.1.M25.Z.BL				
			HG-Q.5.STO.1.M25.LG				



<small>THIS DRAWING IS A CONTROLLED DOCUMENT FOR TYCO ELECTRONICS CORPORATION IT IS SUBJECT TO CHANGE AND THE CONTROLLING ENGINEERING ORGANIZATION SHOULD BE CONTACTED FOR THE LATEST REVISION.</small>		DWN 23 JUN 2008 M. SCHWEIGER CHK 23.06.08 TH. SCHNURPFIL APVD -		Tyco Electronics AMP GmbH 64625 Bensheim (Germany)	
DIMENSIONS: mm 		TOLERANCES UNLESS OTHERWISE SPECIFIED: 0 PLC ±- 1 PLC ±- 2 PLC ±- 3 PLC ±- 4 PLC ±- ANGLES ±1°		NAME HOOD HG-Q.5.STO.1.M25.Z	
MATERIAL -		FINISH -		PRODUCT SPEC - APPLICATION SPEC - WEIGHT 96g SIZE A3 CAGE CODE 00779 DRAWING NO ©=1103169 RESTRICTED TO -	
CUSTOMER DRAWING				SCALE 1:1 SHEET 1 OF 1 REV B4	

# X-ON Electronics

Largest Supplier of Electrical and Electronic Components

*Click to view similar products for [Headers & Wire Housings](#) category:*

*Click to view products by [TE Connectivity](#) manufacturer:*

Other Similar products are found below :

[95000-104TRLF](#) [10135584-644402LF](#) [DF62W-EP2022PCA](#) [95000-106TRLF](#) [DF62W-2022SCA](#) [48050-002LF](#) [DF62W-EP2022PC](#) [2203348](#)  
[DF62W-2022SC](#) [1084018](#) [1029039](#) [1084017](#) [802-10-012-10-002000](#) [1112640](#) [1112639](#) [000-34000](#) [0008550134](#) [0009482033](#) [0009507031](#)  
[0009524054](#) [57102-F02-18ULF](#) [57102-S06-03LF](#) [57202-S52-04LF](#) [PCN6-15S-2.5E](#) [0039019024](#) [58102-G61-06LF](#) [582553-1](#) [0009485154](#)  
[0009508121](#) [0022285053](#) [0050291907](#) [018731A](#) [LY20-4P-DT1-P1E-BR](#) [02.125.8002.8](#) [60101931](#) [60598-1 \(Cut Strip\)](#) [M1625-3R/100](#) [61062-3](#)  
[61082-181009](#) [636-1427](#) [638009-1](#) [641938-9](#) [641991-4](#) [644168-1](#) [644827-2](#) [647662-1](#) [65039-019ELF](#) [65692-001LF](#) [65781-018](#) [65781-047](#)